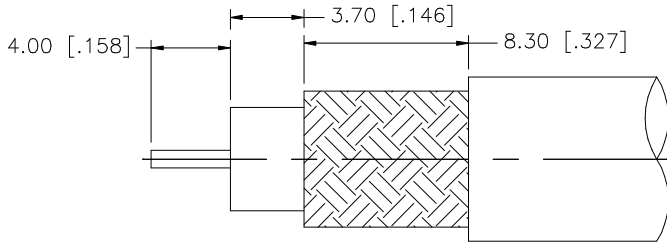
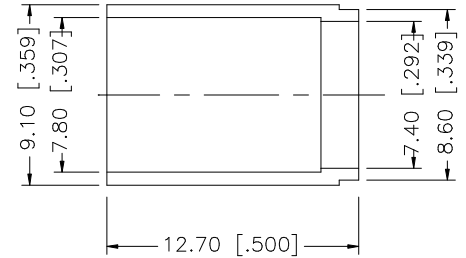
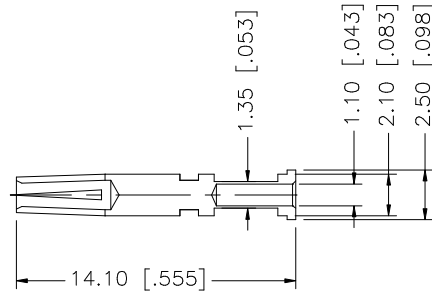
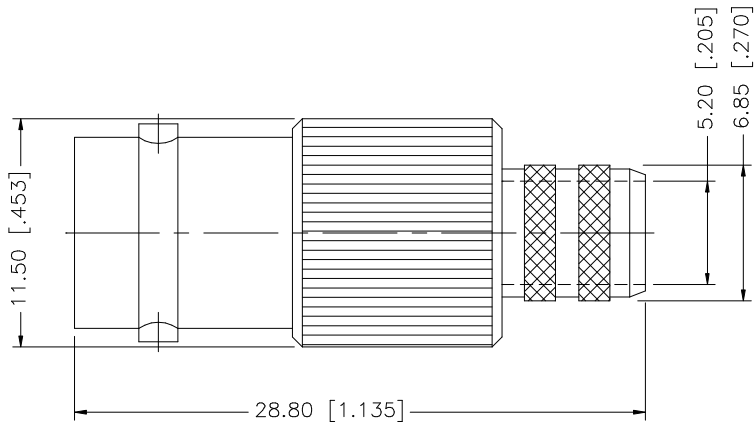


REV.	DATE	DESCRIPTION
A	03/18/05	UPDATE DRAWING FORMAT



RECOMMENDED  
CABLE STRIPPING DIM'S



NOTE:  
USE .320 HEX DIE SET  
FOR OUTER CRIMP.  
CONNEX P/N 47-10100  
IDEAL P/N 30-503

8				
7				
6				
5	FERRULE	COPPER	NICKEL	1
4	CONTACT PIN	PHOS. BRONZE	GOLD	1
3	INSULATOR	TEFLON	NATURAL	1
2	BODY	BRASS	NICKEL	1
1	HOUSING	BRASS	NICKEL	1
	DESCRIPTION	MATERIAL	FINISH	QTY

UNLESS OTHERWISE SPECIFIED DIMENSIONS ARE IN MILLIMETERS. DIMENSIONS IN [ ] ARE IN INCHES AND FOR CUSTOMER REFERENCE ONLY.

UNLESS OTHERWISE SPECIFIED TOLERANCES FOR MILLIMETERS ARE:  
0.5 - 8mm ± 0.20mm  
8 - 30mm ± 0.40mm  
30 - 120mm ± 0.50mm

UNLESS OTHERWISE SPECIFIED TOLERANCES FOR INCHES ARE:  
.020 - .315 = ± 0.007"  
.315 - 1.180 = ± 0.015"  
1.180 - 4.724 = ± 0.020"

DO NOT SCALE DRAWING

APPROVALS	DATE
DRAWN G.R.S.	03/18/05
CHECKED	
ISSUED	
SHEET 1 OF 1	
CAD FILE	C:/112/112965.DWG

<b>Amphenol Connex</b>			
PART DESCRIPTION <b>BNC CRIMP JACK (FOR RG-6 BELDEN 1694A CABLE)</b>			
PART NO. <b>112965</b>			
DWG. NO.	112965.DWG	REV. A	SIZE A
			SCALE NA