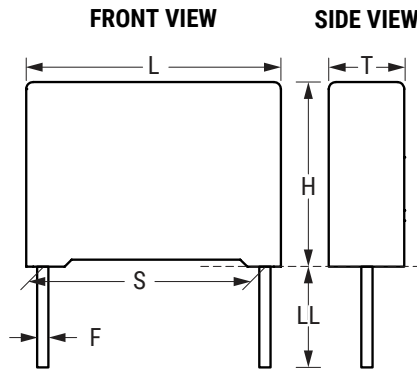


## Sample Kit Contents

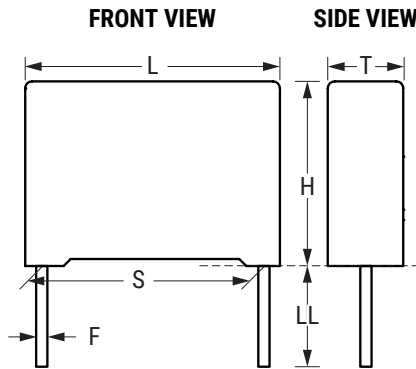
| KEMET<br>Part Number | VDC   | VAC | Capacitance<br>Value ( $\mu\text{F}$ ) | Dimensions in mm |      |      | Lead<br>Spacing (p) | dV/dt<br>(V/ $\mu\text{s}$ ) | Max $K_0$<br>(V <sup>2</sup> / $\mu\text{s}$ ) | Quantity |
|----------------------|-------|-----|--|------------------|------|------|---------------------|------------------------------|--|----------|
|                      |       |     |  | T                | H    | L    |                     |                              |  |          |
| R79IC2330AA45J       | 250   | 160 | 0.033                                  | 3.5              | 7.5  | 7.2  | 5.0                 | 250                          | 125,000  | 3        |
| R79MC2470CK40J       | 400   | 200 | 0.047                                  | 7.2              | 13.0 | 7.2  | 5.0                 | 400                          | 320,000  | 3        |
| R75PD1680DQ40J       | 630   | 250 | 0.0068                                 | 4.0              | 9.0  | 10.0 | 7.5                 | 2,400                        | 3,024,000                                      | 3        |
| R75QD1820AA30J       | 1,000 | 400 | 0.0082                                 | 6.0              | 12.0 | 10.5 | 7.5                 | 4,000                        | 8,000,000                                      | 3        |
| R76QD0470SE00K       | 1,000 | 400 | 0.00047                                | 3.0              | 8.0  | 10.0 | 7.5                 | 6,000                        | 12,000,000                                     | 3        |
| R76PD1220SE00K       | 630   | 250 | 0.0022                                 | 3.0              | 8.0  | 10.0 | 7.5                 | 2,800                        | 3,528,000                                      | 3        |
| R71VF3100AA30K       | 520   | 250 | 0.10                                   | 5.0              | 11.0 | 13.0 | 10.0                | 300                          | 312,000  | 3        |
| R745F1220AA00J       | 1,600 | 500 | 0.0022                                 | 5.0              | 11.0 | 13.0 | 10.0                | 6,000                        | 19,200,000                                     | 3        |
| R75MF2220AA30K       | 400   | 220 | 0.022                                  | 4.0              | 9.0  | 13.0 | 10.0                | 1,300                        | 1,040,000                                      | 3        |
| R76QF1100SE00J       | 1,000 | 600 | 0.0010                                 | 4.0              | 9.0  | 13.0 | 10.0                | 4,800                        | 9,600,000                                      | 3        |
| R71MI4100AA30K       | 420   | 220 | 1.0                                    | 10.0             | 16.0 | 18.0 | 15.0                | 160                          | 134,400  | 3        |
| R73QI1470SE30K       | 1,000 | 400 | 0.0047                                 | 5.0              | 11.0 | 18.0 | 15.0                | 28,000                       | 56,000,000                                     | 3        |
| R747I1470AA00J       | 2,000 | 700 | 0.0047                                 | 6.0              | 12.0 | 18.0 | 15.0                | 9,500                        | 38,000,000                                     | 3        |
| R75GI4100AA00K       | 160   | 90  | 1.0                                    | 10.0             | 16.0 | 18.0 | 15.0                | 100                          | 32,000   | 3        |
| R76UI1100SE30J       | 2,000 | 700 | 0.0010                                 | 5.0              | 11.0 | 18.0 | 15.0                | 9,500                        | 38,000,000                                     | 3        |
| R71PN4100AA30K       | 630   | 275 | 1.0                                    | 11.0             | 20.0 | 26.5 | 22.5                | 160                          | 201,600  | 3        |
| R73TN2100SE00J       | 1,600 | 450 | 0.010                                  | 6.0              | 15.0 | 26.5 | 22.5                | 11,000                       | 35,200,000                                     | 3        |
| R747N2220AA00J       | 2,000 | 700 | 0.022                                  | 8.5              | 17.0 | 26.5 | 22.5                | 4,500                        | 18,000,000                                     | 3        |
| R75QN3220AA00K       | 1,000 | 250 | 0.22                                   | 11.0             | 20.0 | 26.5 | 22.5                | 600                          | 1,200,000                                      | 3        |
| R75MR4220AA40K       | 400   | 220 | 2.2                                    | 13.0             | 25.0 | 32.0 | 27.5                | 130                          | 104,000  | 3        |
| R76UR3100SE30K       | 2,000 | 700 | 0.10                                   | 14.0             | 28.0 | 32.0 | 27.5                | 2,300                        | 9,200,000                                      | 3        |
| R75PW4470JE30K       | 630   | 250 | 4.7                                    | 20.0             | 40.0 | 41.5 | 37.5                | 90                           | 113,400  | 3        |

## R71 Dimensions – Millimeters



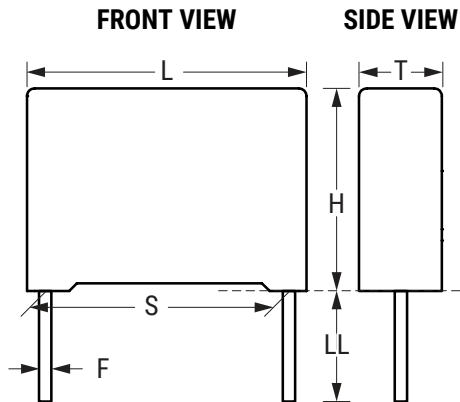
| S       |           | T       |           | H       |           | L       |           | F       |           |
|---------|-----------|---------|-----------|---------|-----------|---------|-----------|---------|-----------|
| Nominal | Tolerance | Nominal | Tolerance | Nominal | Tolerance | Nominal | Tolerance | Nominal | Tolerance |
| 10.0    | ±0.4      | 4.0     | +0.2      | 9.0     | +0.1      | 13.0    | +0.2      | 0.6     | ±0.05     |
| 10.0    | ±0.4      | 5.0     | +0.2      | 11.0    | +0.1      | 13.0    | +0.2      | 0.6     | ±0.05     |
| 10.0    | ±0.4      | 6.0     | +0.2      | 12.0    | +0.1      | 13.0    | +0.2      | 0.6     | ±0.05     |
| 15.0    | ±0.4      | 5.0     | +0.2      | 11.0    | +0.1      | 18.0    | +0.3      | 0.6     | ±0.05     |
| 15.0    | ±0.4      | 6.0     | +0.2      | 12.0    | +0.1      | 18.0    | +0.3      | 0.6     | ±0.05     |
| 15.0    | ±0.4      | 6.0     | +0.2      | 17.5    | +0.1      | 18.0    | +0.3      | 0.6     | ±0.05     |
| 15.0    | ±0.4      | 7.5     | +0.2      | 13.5    | +0.1      | 18.0    | +0.5      | 0.6     | ±0.05     |
| 15.0    | ±0.4      | 7.5     | +0.2      | 18.5    | +0.1      | 18.0    | +0.5      | 0.6     | ±0.05     |
| 15.0    | ±0.4      | 8.5     | +0.2      | 14.5    | +0.1      | 18.0    | +0.5      | 0.6     | ±0.05     |
| 15.0    | ±0.4      | 9.0     | +0.2      | 12.5    | +0.1      | 18.0    | +0.5      | 0.6     | ±0.05     |
| 15.0    | ±0.4      | 10.0    | +0.2      | 16.0    | +0.1      | 18.0    | +0.5      | 0.8     | ±0.05     |
| 15.0    | ±0.4      | 11.0    | +0.2      | 19.0    | +0.1      | 18.0    | +0.5      | 0.8     | ±0.05     |
| 15.0    | ±0.4      | 13.0    | +0.2      | 12.0    | +0.1      | 18.0    | +0.5      | 0.8     | ±0.05     |
| 22.5    | ±0.4      | 6.0     | +0.2      | 15.0    | +0.1      | 26.5    | +0.3      | 0.8     | ±0.05     |
| 22.5    | ±0.4      | 7.0     | +0.2      | 16.0    | +0.1      | 26.5    | +0.3      | 0.8     | ±0.05     |
| 22.5    | ±0.4      | 8.5     | +0.2      | 17.0    | +0.1      | 26.5    | +0.3      | 0.8     | ±0.05     |
| 22.5    | ±0.4      | 10.0    | +0.2      | 18.5    | +0.1      | 26.5    | +0.3      | 0.8     | ±0.05     |
| 22.5    | ±0.4      | 11.0    | +0.2      | 20.0    | +0.1      | 26.5    | +0.3      | 0.8     | ±0.05     |
| 22.5    | ±0.4      | 13.0    | +0.2      | 22.0    | +0.1      | 26.5    | +0.3      | 0.8     | ±0.05     |
| 27.5    | ±0.4      | 9.0     | +0.2      | 17.0    | +0.1      | 32.0    | +0.3      | 0.8     | ±0.05     |
| 27.5    | ±0.4      | 11.0    | +0.2      | 20.0    | +0.1      | 32.0    | +0.3      | 0.8     | ±0.05     |
| 27.5    | ±0.4      | 13.0    | +0.2      | 22.0    | +0.1      | 32.0    | +0.3      | 0.8     | ±0.05     |
| 27.5    | ±0.4      | 13.0    | +0.2      | 25.0    | +0.1      | 32.0    | +0.3      | 0.8     | ±0.05     |
| 27.5    | ±0.4      | 14.0    | +0.2      | 28.0    | +0.1      | 32.0    | +0.3      | 0.8     | ±0.05     |
| 27.5    | ±0.4      | 18.0    | +0.2      | 33.0    | +0.1      | 32.0    | +0.3      | 0.8     | ±0.05     |
| 27.5    | ±0.4      | 22.0    | +0.2      | 37.0    | +0.1      | 32.0    | +0.3      | 0.8     | ±0.05     |
| 37.5    | ±0.4      | 11.0    | +0.3      | 22.0    | +0.1      | 41.5    | +0.3      | 1.0     | ±0.05     |
| 37.5    | ±0.4      | 13.0    | +0.3      | 24.0    | +0.1      | 41.5    | +0.3      | 1.0     | ±0.05     |
| 37.5    | ±0.4      | 16.0    | +0.3      | 28.5    | +0.1      | 41.5    | +0.3      | 1.0     | ±0.05     |
| 37.5    | ±0.4      | 19.0    | +0.3      | 32.0    | +0.1      | 41.5    | +0.3      | 1.0     | ±0.05     |
| 37.5    | ±0.4      | 20.0    | +0.3      | 40.0    | +0.1      | 41.5    | +0.3      | 1.0     | ±0.05     |
| 37.5    | ±0.4      | 24.0    | +0.3      | 44.0    | +0.1      | 41.5    | +0.3      | 1.0     | ±0.05     |
| 37.5    | ±0.4      | 30.0    | +0.3      | 45.0    | +0.1      | 41.5    | +0.3      | 1.0     | ±0.05     |

## R73 Dimensions – Millimeters



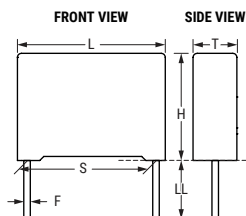
| <b>S</b> |           | <b>T</b> |           | <b>H</b> |           | <b>L</b> |           | <b>F</b> |           |
|----------|-----------|----------|-----------|----------|-----------|----------|-----------|----------|-----------|
| Nominal  | Tolerance | Nominal  | Tolerance | Nominal  | Tolerance | Nominal  | Tolerance | Nominal  | Tolerance |
| 15.0     | ±0.4      | 5.0      | +0.2      | 11.0     | +0.1      | 18.0     | +0.3      | 0.8      | ±0.05     |
| 15.0     | ±0.4      | 6.0      | +0.2      | 12.0     | +0.1      | 18.0     | +0.3      | 0.8      | ±0.05     |
| 15.0     | ±0.4      | 7.5      | +0.2      | 13.5     | +0.1      | 18.0     | +0.5      | 0.8      | ±0.05     |
| 15.0     | ±0.4      | 8.5      | +0.2      | 14.5     | +0.1      | 18.0     | +0.5      | 0.8      | ±0.05     |
| 15.0     | ±0.4      | 10.0     | +0.2      | 16.0     | +0.1      | 18.0     | +0.5      | 0.8      | ±0.05     |
| 22.5     | ±0.4      | 6.0      | +0.2      | 15.0     | +0.1      | 26.5     | +0.3      | 0.8      | ±0.05     |
| 22.5     | ±0.4      | 7.0      | +0.2      | 16.0     | +0.1      | 26.5     | +0.3      | 0.8      | ±0.05     |
| 22.5     | ±0.4      | 8.5      | +0.2      | 17.0     | +0.1      | 26.5     | +0.3      | 0.8      | ±0.05     |
| 22.5     | ±0.4      | 10.0     | +0.2      | 18.5     | +0.1      | 26.5     | +0.3      | 0.8      | ±0.05     |
| 22.5     | ±0.4      | 11.0     | +0.2      | 20.0     | +0.1      | 26.5     | +0.3      | 0.8      | ±0.05     |
| 27.5     | ±0.4      | 9.0      | +0.2      | 17.0     | +0.1      | 32.0     | +0.3      | 0.8      | ±0.05     |
| 27.5     | ±0.4      | 11.0     | +0.2      | 20.0     | +0.1      | 32.0     | +0.3      | 0.8      | ±0.05     |
| 27.5     | ±0.4      | 13.0     | +0.2      | 22.0     | +0.1      | 32.0     | +0.3      | 0.8      | ±0.05     |
| 27.5     | ±0.4      | 13.0     | +0.2      | 25.0     | +0.1      | 32.0     | +0.3      | 0.8      | ±0.05     |
| 27.5     | ±0.4      | 14.0     | +0.2      | 28.0     | +0.1      | 32.0     | +0.3      | 0.8      | ±0.05     |
| 27.5     | ±0.4      | 18.0     | +0.2      | 33.0     | +0.1      | 32.0     | +0.3      | 0.8      | ±0.05     |
| 27.5     | ±0.4      | 22.0     | +0.2      | 37.0     | +0.1      | 32.0     | +0.3      | 0.8      | ±0.05     |
| 37.5     | ±0.4      | 11.0     | +0.3      | 22.0     | +0.1      | 41.5     | +0.3      | 1.0      | ±0.05     |
| 37.5     | ±0.4      | 13.0     | +0.3      | 24.0     | +0.1      | 41.5     | +0.3      | 1.0      | ±0.05     |
| 37.5     | ±0.4      | 16.0     | +0.3      | 28.5     | +0.1      | 41.5     | +0.3      | 1.0      | ±0.05     |
| 37.5     | ±0.4      | 19.0     | +0.3      | 32.0     | +0.1      | 41.5     | +0.3      | 1.0      | ±0.05     |
| 37.5     | ±0.4      | 20.0     | +0.3      | 40.0     | +0.1      | 41.5     | +0.3      | 1.0      | ±0.05     |
| 37.5     | ±0.4      | 24.0     | +0.3      | 44.0     | +0.1      | 41.5     | +0.3      | 1.0      | ±0.05     |
| 37.5     | ±0.4      | 30.0     | +0.3      | 45.0     | +0.1      | 41.5     | +0.3      | 1.0      | ±0.05     |

## R74 Dimensions – Millimeters



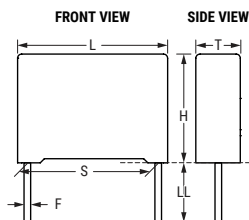
| S       |           | T       |           | H       |           | L       |           | F       |           |
|---------|-----------|---------|-----------|---------|-----------|---------|-----------|---------|-----------|
| Nominal | Tolerance | Nominal | Tolerance | Nominal | Tolerance | Nominal | Tolerance | Nominal | Tolerance |
| 10.0    | ±0.4      | 4.0     | +0.2      | 9.0     | +0.1      | 13.0    | +0.2      | 0.6     | ±0.05     |
| 10.0    | ±0.4      | 5.0     | +0.2      | 11.0    | +0.1      | 13.0    | +0.2      | 0.6     | ±0.05     |
| 10.0    | ±0.4      | 6.0     | +0.2      | 12.0    | +0.1      | 13.0    | +0.2      | 0.6     | ±0.05     |
| 15.0    | ±0.4      | 4.0     | +0.2      | 10.0    | +0.1      | 18.0    | +0.3      | 0.8     | ±0.05     |
| 15.0    | ±0.4      | 5.0     | +0.2      | 11.0    | +0.1      | 18.0    | +0.3      | 0.8     | ±0.05     |
| 15.0    | ±0.4      | 6.0     | +0.2      | 12.0    | +0.1      | 18.0    | +0.3      | 0.8     | ±0.05     |
| 15.0    | ±0.4      | 7.5     | +0.2      | 13.5    | +0.1      | 18.0    | +0.5      | 0.8     | ±0.05     |
| 15.0    | ±0.4      | 8.5     | +0.2      | 14.5    | +0.1      | 18.0    | +0.5      | 0.8     | ±0.05     |
| 15.0    | ±0.4      | 9.0     | +0.2      | 12.5    | +0.1      | 18.0    | +0.5      | 0.8     | ±0.05     |
| 15.0    | ±0.4      | 10.0    | +0.2      | 16.0    | +0.1      | 18.0    | +0.5      | 0.8     | ±0.05     |
| 15.0    | ±0.4      | 11.0    | +0.2      | 19.0    | +0.1      | 18.0    | +0.5      | 0.8     | ±0.05     |
| 15.0    | ±0.4      | 13.0    | +0.2      | 12.0    | +0.1      | 18.0    | +0.5      | 0.8     | ±0.05     |
| 22.5    | ±0.4      | 6.0     | +0.2      | 15.0    | +0.1      | 26.5    | +0.3      | 0.8     | ±0.05     |
| 22.5    | ±0.4      | 7.0     | +0.2      | 16.0    | +0.1      | 26.5    | +0.3      | 0.8     | ±0.05     |
| 22.5    | ±0.4      | 8.5     | +0.2      | 17.0    | +0.1      | 26.5    | +0.3      | 0.8     | ±0.05     |
| 22.5    | ±0.4      | 10.0    | +0.2      | 18.5    | +0.1      | 26.5    | +0.3      | 0.8     | ±0.05     |
| 22.5    | ±0.4      | 11.0    | +0.2      | 20.0    | +0.1      | 26.5    | +0.3      | 0.8     | ±0.05     |
| 22.5    | ±0.4      | 13.0    | +0.2      | 22.0    | +0.1      | 26.5    | +0.3      | 0.8     | ±0.05     |
| 27.5    | ±0.4      | 9.0     | +0.2      | 17.0    | +0.1      | 32.0    | +0.3      | 0.8     | ±0.05     |
| 27.5    | ±0.4      | 11.0    | +0.2      | 20.0    | +0.1      | 32.0    | +0.3      | 0.8     | ±0.05     |
| 27.5    | ±0.4      | 13.0    | +0.2      | 22.0    | +0.1      | 32.0    | +0.3      | 0.8     | ±0.05     |
| 27.5    | ±0.4      | 14.0    | +0.2      | 28.0    | +0.1      | 32.0    | +0.3      | 0.8     | ±0.05     |
| 27.5    | ±0.4      | 18.0    | +0.2      | 33.0    | +0.1      | 32.0    | +0.3      | 0.8     | ±0.05     |
| 27.5    | ±0.4      | 22.0    | +0.2      | 37.0    | +0.1      | 32.0    | +0.3      | 0.8     | ±0.05     |
| 37.5    | ±0.4      | 11.0    | +0.3      | 22.0    | +0.1      | 41.5    | +0.3      | 1.0     | ±0.05     |
| 37.5    | ±0.4      | 13.0    | +0.3      | 24.0    | +0.1      | 41.5    | +0.3      | 1.0     | ±0.05     |
| 37.5    | ±0.4      | 16.0    | +0.3      | 28.5    | +0.1      | 41.5    | +0.3      | 1.0     | ±0.05     |
| 37.5    | ±0.4      | 19.0    | +0.3      | 32.0    | +0.1      | 41.5    | +0.3      | 1.0     | ±0.05     |
| 37.5    | ±0.4      | 20.0    | +0.3      | 40.0    | +0.1      | 41.5    | +0.3      | 1.0     | ±0.05     |
| 37.5    | ±0.4      | 24.0    | +0.3      | 44.0    | +0.1      | 41.5    | +0.3      | 1.0     | ±0.05     |
| 37.5    | ±0.4      | 30.0    | +0.3      | 45.0    | +0.1      | 41.5    | +0.3      | 1.0     | ±0.05     |

## R75 Dimensions – Millimeters



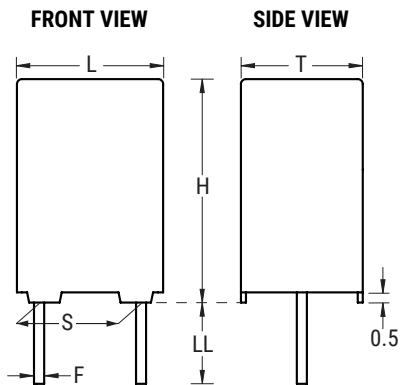
| S       |           | T       |           | H       |           | L       |           | F       |           |
|---------|-----------|---------|-----------|---------|-----------|---------|-----------|---------|-----------|
| Nominal | Tolerance | Nominal | Tolerance | Nominal | Tolerance | Nominal | Tolerance | Nominal | Tolerance |
| 7.5     | ±0.4      | 3.0     | +0.1      | 8.0     | +0.1      | 10.0    | +0.2      | 0.5     | ±0.05     |
| 7.5     | ±0.4      | 4.0     | +0.1      | 9.0     | +0.1      | 10.0    | +0.2      | 0.5     | ±0.05     |
| 7.5     | ±0.4      | 5.0     | +0.1      | 10.5    | +0.1      | 10.0    | +0.2      | 0.5     | ±0.05     |
| 7.5     | ±0.4      | 6.0     | +0.1      | 12.0    | +0.1      | 10.0    | +0.2      | 0.5     | ±0.05     |
| 10.0    | ±0.4      | 4.0     | +0.2      | 9.0     | +0.1      | 13.0    | +0.2      | 0.6     | ±0.05     |
| 10.0    | ±0.4      | 5.0     | +0.2      | 11.0    | +0.1      | 13.0    | +0.2      | 0.6     | ±0.05     |
| 10.0    | ±0.4      | 6.0     | +0.2      | 12.0    | +0.1      | 13.0    | +0.2      | 0.6     | ±0.05     |
| 15.0    | ±0.4      | 4.0     | +0.2      | 10.0    | +0.1      | 18.0    | +0.3      | 0.8     | ±0.05     |
| 15.0    | ±0.4      | 5.0     | +0.2      | 11.0    | +0.1      | 18.0    | +0.3      | 0.8     | ±0.05     |
| 15.0    | ±0.4      | 6.0     | +0.2      | 12.0    | +0.1      | 18.0    | +0.3      | 0.8     | ±0.05     |
| 15.0    | ±0.4      | 7.5     | +0.2      | 13.5    | +0.1      | 18.0    | +0.5      | 0.8     | ±0.05     |
| 15.0    | ±0.4      | 8.5     | +0.2      | 14.5    | +0.1      | 18.0    | +0.5      | 0.8     | ±0.05     |
| 15.0    | ±0.4      | 9.0     | +0.2      | 12.5    | +0.1      | 18.0    | +0.5      | 0.8     | ±0.05     |
| 15.0    | ±0.4      | 10.0    | +0.2      | 16.0    | +0.1      | 18.0    | +0.5      | 0.8     | ±0.05     |
| 15.0    | ±0.4      | 11.0    | +0.2      | 19.0    | +0.1      | 18.0    | +0.5      | 0.8     | ±0.05     |
| 15.0    | ±0.4      | 13.0    | +0.2      | 12.0    | +0.1      | 18.0    | +0.5      | 0.8     | ±0.05     |
| 22.5    | ±0.4      | 6.0     | +0.2      | 15.0    | +0.1      | 26.5    | +0.3      | 0.8     | ±0.05     |
| 22.5    | ±0.4      | 7.0     | +0.2      | 16.0    | +0.1      | 26.5    | +0.3      | 0.8     | ±0.05     |
| 22.5    | ±0.4      | 8.5     | +0.2      | 17.0    | +0.1      | 26.5    | +0.3      | 0.8     | ±0.05     |
| 22.5    | ±0.4      | 10.0    | +0.2      | 18.5    | +0.1      | 26.5    | +0.3      | 0.8     | ±0.05     |
| 22.5    | ±0.4      | 11.0    | +0.2      | 20.0    | +0.1      | 26.5    | +0.3      | 0.8     | ±0.05     |
| 22.5    | ±0.4      | 13.0    | +0.2      | 22.0    | +0.1      | 26.5    | +0.3      | 0.8     | ±0.05     |
| 27.5    | ±0.4      | 9.0     | +0.2      | 17.0    | +0.1      | 32.0    | +0.3      | 0.8     | ±0.05     |
| 27.5    | ±0.4      | 11.0    | +0.2      | 20.0    | +0.1      | 32.0    | +0.3      | 0.8     | ±0.05     |
| 27.5    | ±0.4      | 13.0    | +0.2      | 22.0    | +0.1      | 32.0    | +0.3      | 0.8     | ±0.05     |
| 27.5    | ±0.4      | 13.0    | +0.2      | 25.0    | +0.1      | 32.0    | +0.3      | 0.8     | ±0.05     |
| 27.5    | ±0.4      | 14.0    | +0.2      | 28.0    | +0.1      | 32.0    | +0.3      | 0.8     | ±0.05     |
| 27.5    | ±0.4      | 18.0    | +0.2      | 33.0    | +0.1      | 32.0    | +0.3      | 0.8     | ±0.05     |
| 27.5    | ±0.4      | 22.0    | +0.2      | 37.0    | +0.1      | 32.0    | +0.3      | 0.8     | ±0.05     |
| 37.5    | ±0.4      | 11.0    | +0.3      | 22.0    | +0.1      | 41.5    | +0.3      | 1.0     | ±0.05     |
| 37.5    | ±0.4      | 13.0    | +0.3      | 24.0    | +0.1      | 41.5    | +0.3      | 1.0     | ±0.05     |
| 37.5    | ±0.4      | 16.0    | +0.3      | 28.5    | +0.1      | 41.5    | +0.3      | 1.0     | ±0.05     |
| 37.5    | ±0.4      | 19.0    | +0.3      | 32.0    | +0.1      | 41.5    | +0.3      | 1.0     | ±0.05     |
| 37.5    | ±0.4      | 20.0    | +0.3      | 40.0    | +0.1      | 41.5    | +0.3      | 1.0     | ±0.05     |
| 37.5    | ±0.4      | 24.0    | +0.3      | 44.0    | +0.1      | 41.5    | +0.3      | 1.0     | ±0.05     |
| 37.5    | ±0.4      | 30.0    | +0.3      | 45.0    | +0.1      | 41.5    | +0.3      | 1.0     | ±0.05     |

## R76 Dimensions – Millimeters



| S       |           | T       |           | H       |           | L       |           | F       |           |
|---------|-----------|---------|-----------|---------|-----------|---------|-----------|---------|-----------|
| Nominal | Tolerance | Nominal | Tolerance | Nominal | Tolerance | Nominal | Tolerance | Nominal | Tolerance |
| 7.5     | ±0.4      | 3.0     | +0.1      | 8.0     | +0.1      | 10.0    | +0.2      | 0.5     | ±0.05     |
| 7.5     | ±0.4      | 4.0     | +0.1      | 9.0     | +0.1      | 10.0    | +0.2      | 0.6     | ±0.05     |
| 7.5     | ±0.4      | 5.0     | +0.1      | 10.5    | +0.1      | 10.0    | +0.2      | 0.6     | ±0.05     |
| 7.5     | ±0.4      | 6.0     | +0.1      | 12.0    | +0.1      | 10.0    | +0.2      | 0.6     | ±0.05     |
| 10.0    | ±0.4      | 4.0     | +0.2      | 9.0     | +0.1      | 13.0    | +0.2      | 0.6     | ±0.05     |
| 10.0    | ±0.4      | 5.0     | +0.2      | 11.0    | +0.1      | 13.0    | +0.2      | 0.6     | ±0.05     |
| 10.0    | ±0.4      | 6.0     | +0.2      | 12.0    | +0.1      | 13.0    | +0.2      | 0.6     | ±0.05     |
| 15.0    | ±0.4      | 4.0     | +0.2      | 10.0    | +0.1      | 18.0    | +0.3      | 0.8     | ±0.05     |
| 15.0    | ±0.4      | 5.0     | +0.2      | 11.0    | +0.1      | 18.0    | +0.3      | 0.8     | ±0.05     |
| 15.0    | ±0.4      | 6.0     | +0.2      | 12.0    | +0.1      | 18.0    | +0.3      | 0.8     | ±0.05     |
| 15.0    | ±0.4      | 7.5     | +0.2      | 13.5    | +0.1      | 18.0    | +0.5      | 0.8     | ±0.05     |
| 15.0    | ±0.4      | 8.5     | +0.2      | 14.5    | +0.1      | 18.0    | +0.5      | 0.8     | ±0.05     |
| 15.0    | ±0.4      | 9.0     | +0.2      | 12.5    | +0.1      | 18.0    | +0.5      | 0.8     | ±0.05     |
| 15.0    | ±0.4      | 10.0    | +0.2      | 16.0    | +0.1      | 18.0    | +0.5      | 0.8     | ±0.05     |
| 15.0    | ±0.4      | 11.0    | +0.2      | 19.0    | +0.1      | 18.0    | +0.5      | 0.8     | ±0.05     |
| 15.0    | ±0.4      | 13.0    | +0.2      | 12.0    | +0.1      | 18.0    | +0.5      | 0.8     | ±0.05     |
| 22.5    | ±0.4      | 6.0     | +0.2      | 15.0    | +0.1      | 26.5    | +0.3      | 0.8     | ±0.05     |
| 22.5    | ±0.4      | 7.0     | +0.2      | 16.0    | +0.1      | 26.5    | +0.3      | 0.8     | ±0.05     |
| 22.5    | ±0.4      | 8.5     | +0.2      | 17.0    | +0.1      | 26.5    | +0.3      | 0.8     | ±0.05     |
| 22.5    | ±0.4      | 10.0    | +0.2      | 18.5    | +0.1      | 26.5    | +0.3      | 0.8     | ±0.05     |
| 22.5    | ±0.4      | 11.0    | +0.2      | 20.0    | +0.1      | 26.5    | +0.3      | 0.8     | ±0.05     |
| 22.5    | ±0.4      | 13.0    | +0.2      | 22.0    | +0.1      | 26.5    | +0.3      | 0.8     | ±0.05     |
| 27.5    | ±0.4      | 9.0     | +0.2      | 17.0    | +0.1      | 32.0    | +0.3      | 0.8     | ±0.05     |
| 27.5    | ±0.4      | 11.0    | +0.2      | 20.0    | +0.1      | 32.0    | +0.3      | 0.8     | ±0.05     |
| 27.5    | ±0.4      | 13.0    | +0.2      | 22.0    | +0.1      | 32.0    | +0.3      | 0.8     | ±0.05     |
| 27.5    | ±0.4      | 13.0    | +0.2      | 25.0    | +0.1      | 32.0    | +0.3      | 0.8     | ±0.05     |
| 27.5    | ±0.4      | 14.0    | +0.2      | 28.0    | +0.1      | 32.0    | +0.3      | 0.8     | ±0.05     |
| 27.5    | ±0.4      | 18.0    | +0.2      | 33.0    | +0.1      | 32.0    | +0.3      | 0.8     | ±0.05     |
| 27.5    | ±0.4      | 22.0    | +0.2      | 37.0    | +0.1      | 32.0    | +0.3      | 0.8     | ±0.05     |
| 37.5    | ±0.4      | 11.0    | +0.3      | 22.0    | +0.1      | 41.5    | +0.3      | 1.0     | ±0.05     |
| 37.5    | ±0.4      | 13.0    | +0.3      | 24.0    | +0.1      | 41.5    | +0.3      | 1.0     | ±0.05     |
| 37.5    | ±0.4      | 16.0    | +0.3      | 28.5    | +0.1      | 41.5    | +0.3      | 1.0     | ±0.05     |
| 37.5    | ±0.4      | 19.0    | +0.3      | 32.0    | +0.1      | 41.5    | +0.3      | 1.0     | ±0.05     |
| 37.5    | ±0.4      | 20.0    | +0.3      | 40.0    | +0.1      | 41.5    | +0.3      | 1.0     | ±0.05     |
| 37.5    | ±0.4      | 24.0    | +0.3      | 44.0    | +0.1      | 41.5    | +0.3      | 1.0     | ±0.05     |
| 37.5    | ±0.4      | 30.0    | +0.3      | 45.0    | +0.1      | 41.5    | +0.3      | 1.0     | ±0.05     |

## R79 Dimensions – Millimeters



| <b>S</b> |           | <b>T</b> |           | <b>H</b> |           | <b>L</b> |           | <b>F</b> |           |
|----------|-----------|----------|-----------|----------|-----------|----------|-----------|----------|-----------|
| Nominal  | Tolerance | Nominal  | Tolerance | Nominal  | Tolerance | Nominal  | Tolerance | Nominal  | Tolerance |
| 5.0      | ±0.4      | 3.5      | +0.1      | 7.5      | +0.1      | 7.2      | +0.2      | 0.6      | ±0.05     |
| 5.0      | ±0.4      | 4.5      | +0.1      | 9.5      | +0.1      | 7.2      | +0.3      | 0.6      | ±0.05     |
| 5.0      | ±0.4      | 5.0      | +0.1      | 10.0     | +0.1      | 7.2      | +0.3      | 0.6      | ±0.05     |
| 5.0      | ±0.4      | 6.0      | +0.1      | 11.0     | +0.1      | 7.2      | +0.3      | 0.6      | ±0.05     |
| 5.0      | ±0.4      | 7.2      | +0.1      | 13.0     | +0.1      | 7.2      | +0.3      | 0.6      | ±0.05     |