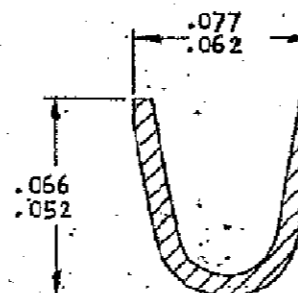
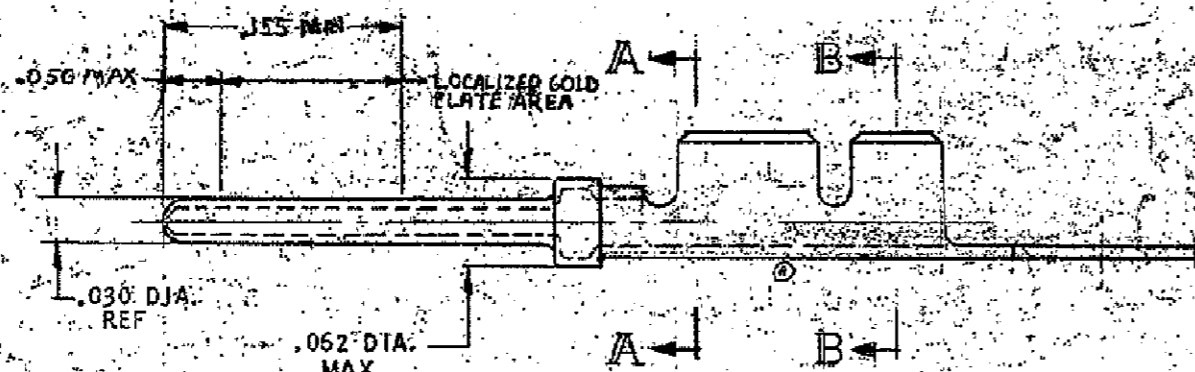
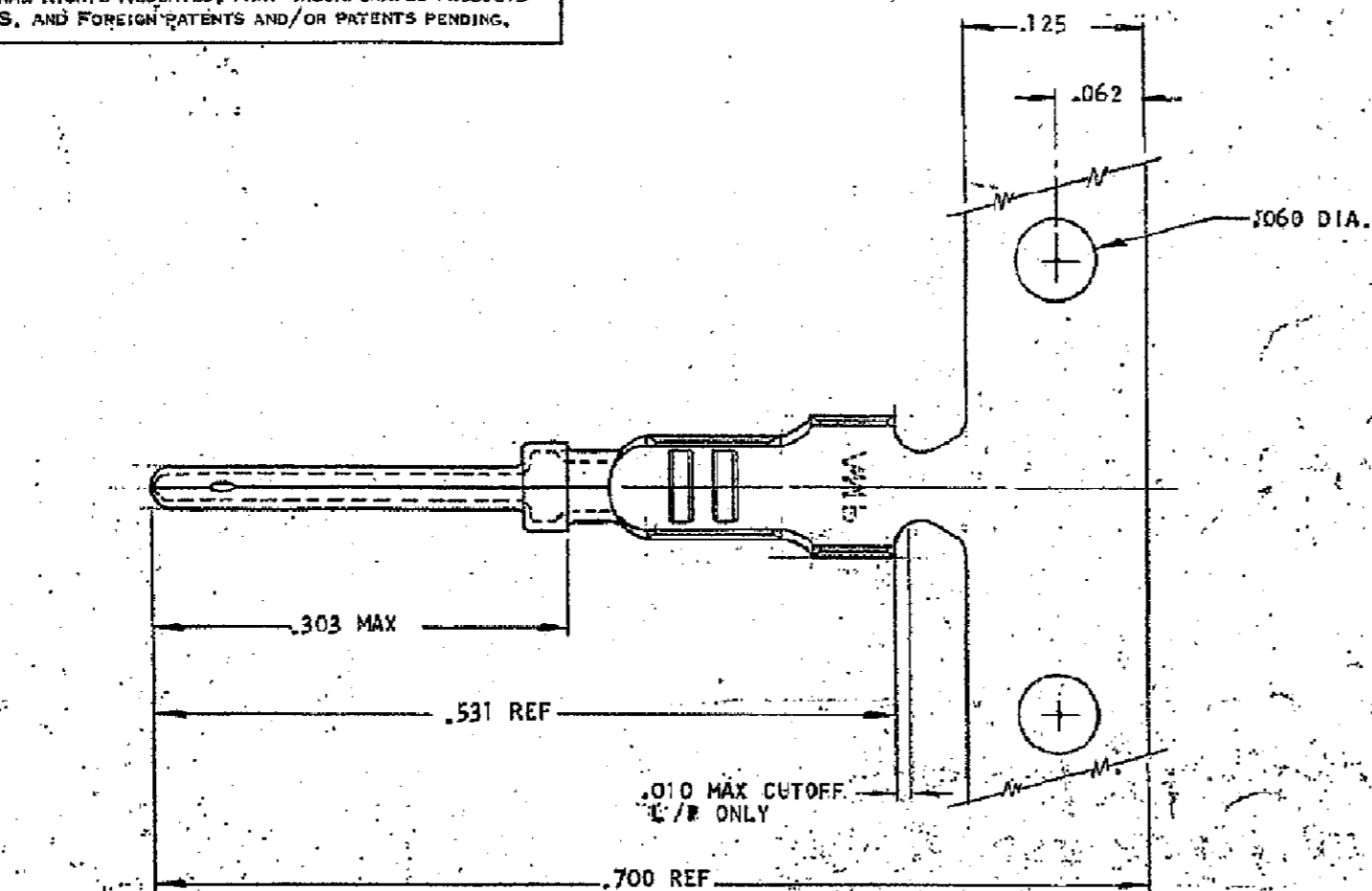


DRAWING MADE IN THIRD ANGLE PROJECTION

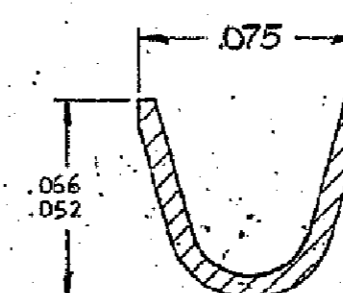
© COPYRIGHT 1973 BY AMP INCORPORATED, HARRISBURG, PA.
ALL INTERNATIONAL RIGHTS RESERVED. AMP INCORPORATED PRODUCTS
COVERED BY U. S. AND FOREIGN PATENTS AND/OR PATENTS PENDING.

LOC DIST
GP 00

REVISIONS					
REV	ZONE	LTR	DESCRIPTION	DATE	APPROVED
R			REVISED PER EC 0JUE0-0002-01	17 JAN 82	JG



SECT. A-A



SECT. B-B

- ⚠ PLATED GOLD PER MIL-G-45204 OVER NICKEL PER QQ-N-290.
- ⚠ .00020 MIN GOLD (LOCALIZED GOLD PLATE AREA) GOLD FINISH ON REMAINDER ALL OVER .00050 MIN NICKEL.
- ⚠ 4 SUPERSEDED BY 3
- ⚠ 6 SUPERSEDED BY 9
- ⚠ 1-3 SUPERSEDED BY 1-2
- ⚠ OBSOLETE PART NUMBER

L/P PART NO.	REVERSE REELED PART NO.	FINISH	PART NO
66556-9	1-66556-2	GOLD OVER NICKEL	66556-1
66556-8	1-66556-1	GOLD OVER NICKEL	66556-2
		GOLD OVER NICKEL	66556-4

UNLESS OTHERWISE SPECIFIED DIMENSIONS ARE IN INCHES. TOLERANCES ON: DECIMALS ±.005 ANGLES ±.005	CONTRACT NO	AMP INCORPORATED Harrisburg, Pa.	
MATERIAL BRASS PER MIL-C-50	DR 10/23/73	NAME PIN CONTACT, SIZE 22-DF	
FINISH SEE CALLOUT	APPD D. B. ...	SIZE CODE IDENT NO C 00779	DRAWING NO 66536
	OTHER APPD	SCALE	SHEET OF

AMP 1471-6 (7-73)

CUSTOMER DRAWING