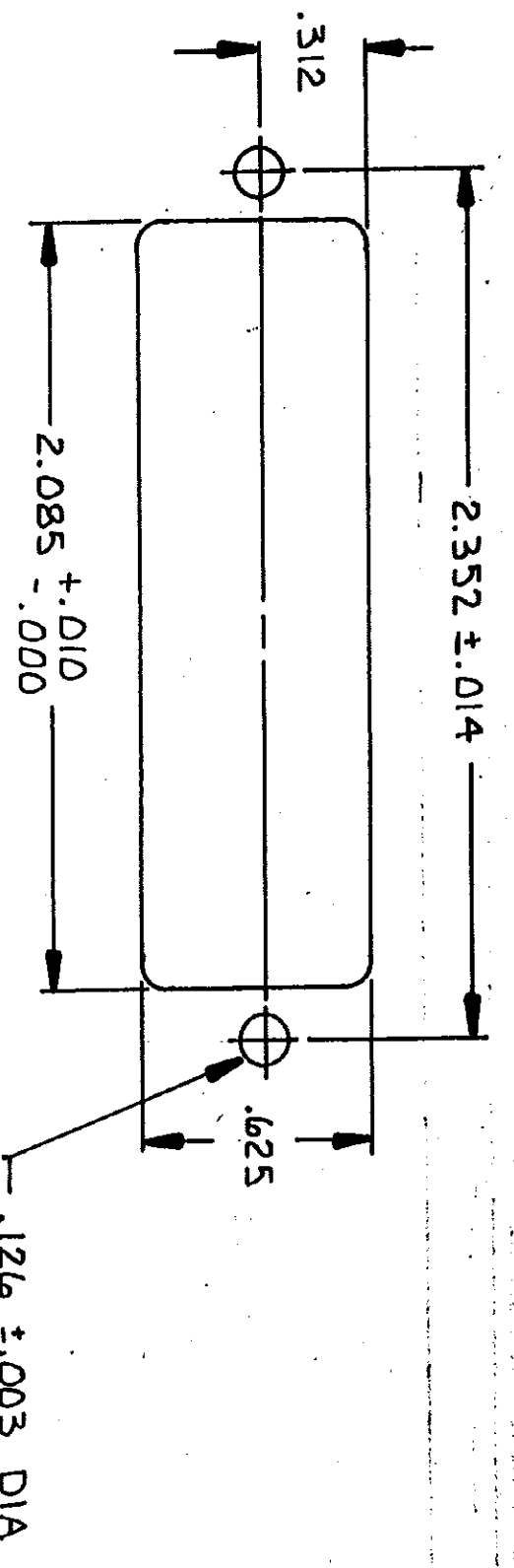
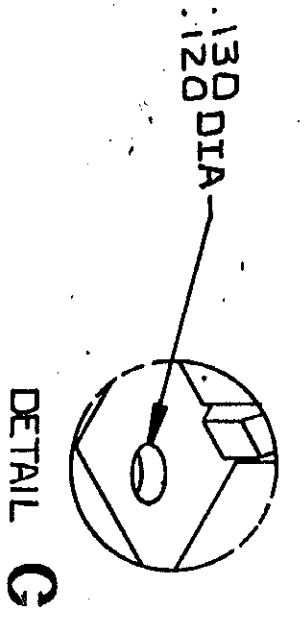
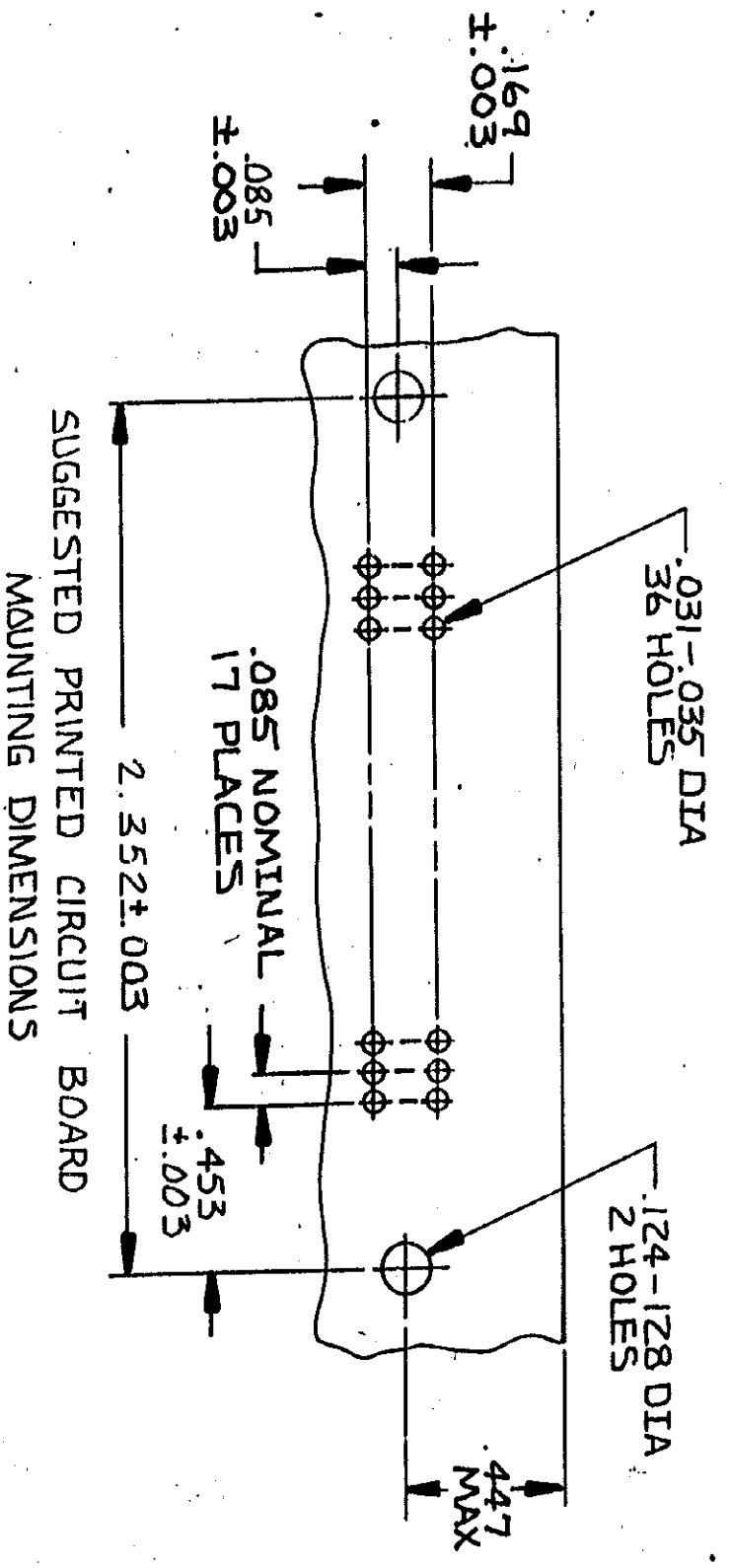
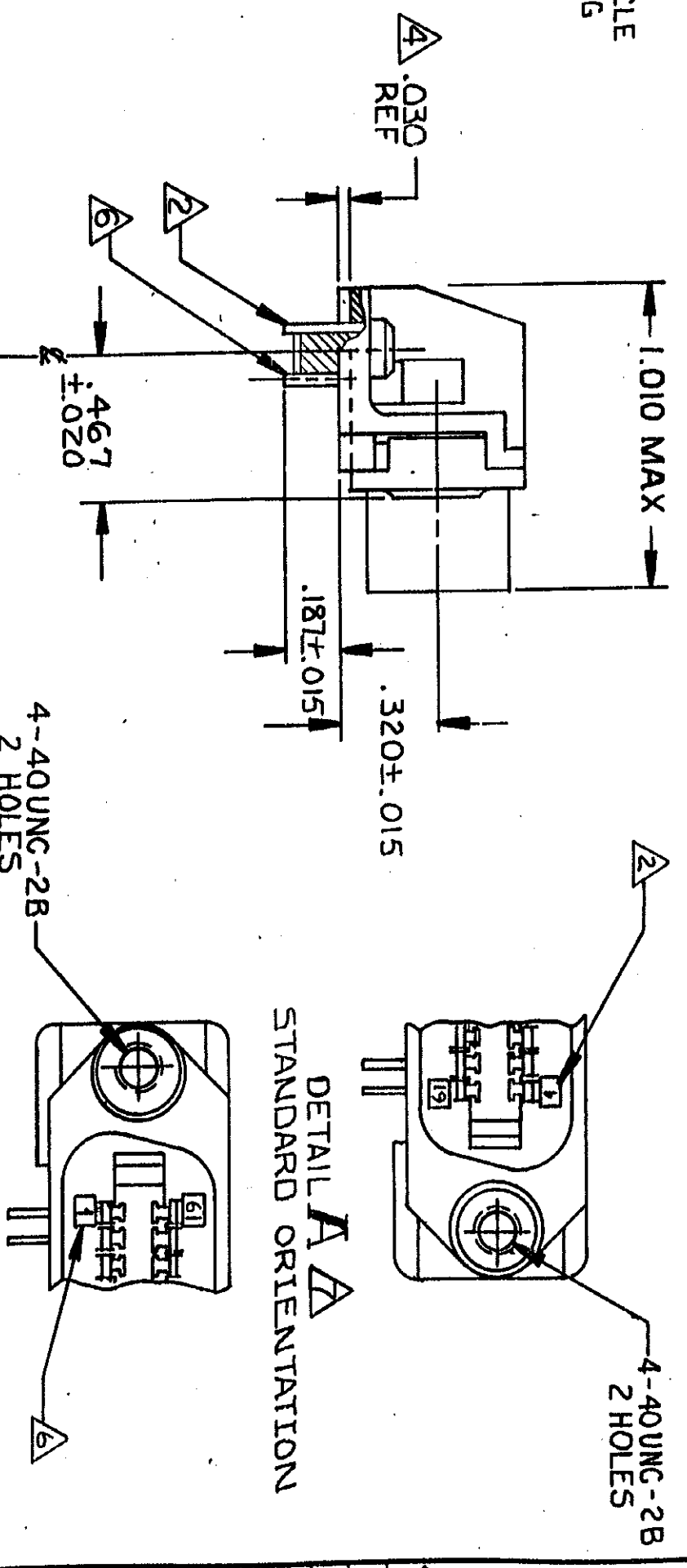
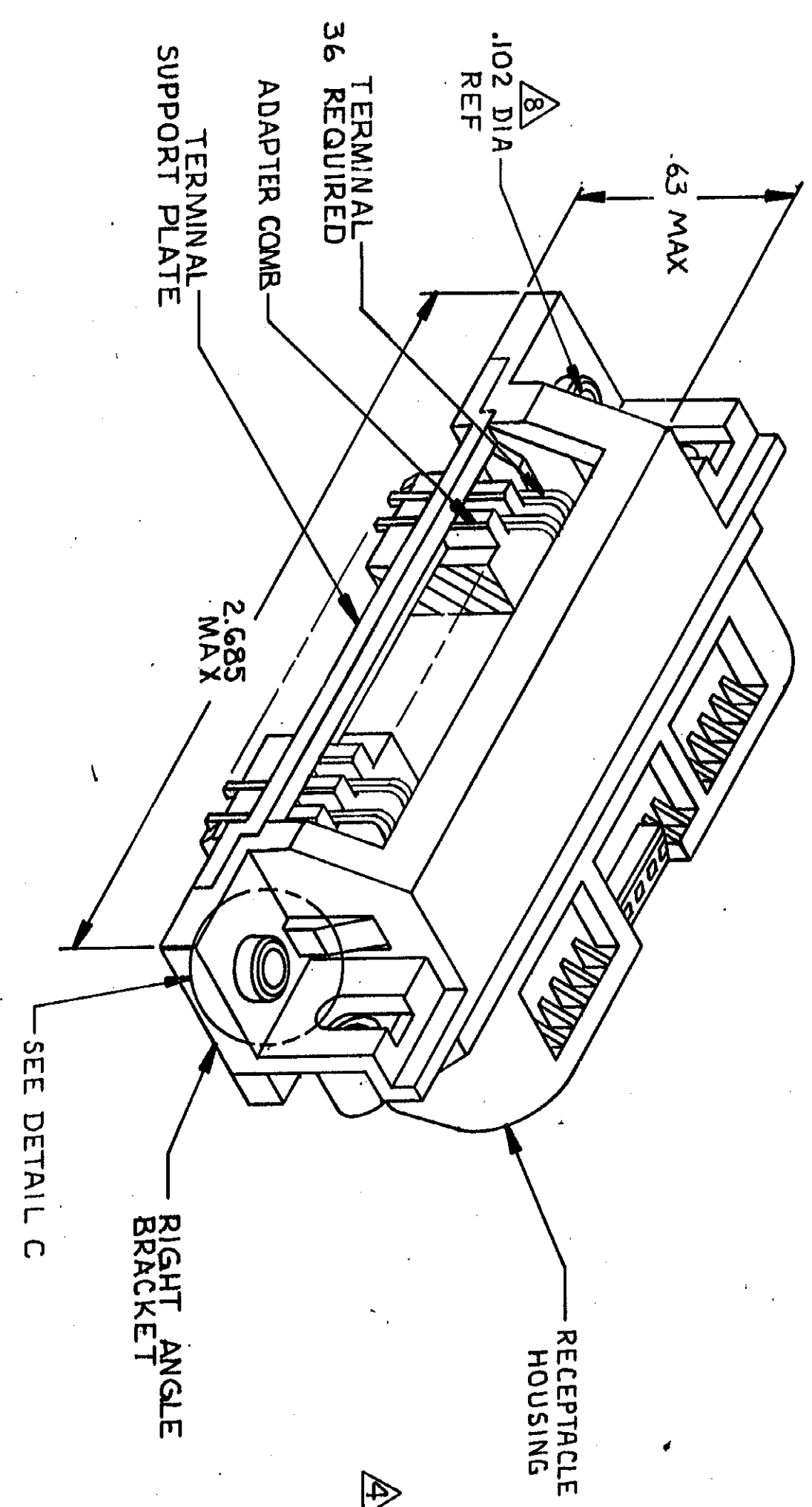


REV	DATE	APPROVED	LOC	DIST
1	5/31/82	STW	AA	21



- ▲ MATERIAL: HOUSING, BRACKET, PLATE AND COMB-THERMOPLASTIC, BLACK, 94V-0 RATED. TERMINALS-TAILS-TIN LEAD OVER NICKEL PLATED HIGH STRENGTH COPPER ALLOY. MATING SURFACE-LOCALIZED GOLD OVER NICKEL PLATED HIGH STRENGTH COPPER ALLOY.
- ▲ TERMINAL 1 LOCATED IN THIS ROW FOR 552742-1 AND -3.
- ▲ TERMINAL SUPPORT PLATE CLEARANCE FOR TERMINAL STRAIN RELIEF AND FLUX REMOVAL.
- ▲ PANEL THICKNESS RANGE: .062.
- ▲ TERMINAL 1 LOCATED IN THIS ROW FOR 552742-2 & -4.
- ▲ DETAILS A & B ARE VIEWED FROM MATING SIDE OF RECEPTACLE ASSEMBLY.
- ▲ FOR USE WITH A NO. 4 BT TYPE SELF-TAPPING SCREW.



THRU-BOLT	SEE DETAIL A	552742-3
SEE DETAIL C	SEE DETAIL B	552742-2
SELF-TAPPING	SEE DETAIL A	552742-1
TYPE OF MOUNTING	DESCRIPTION	PART NO

UNLESS OTHERWISE SPECIFIED DIMENSIONS ARE IN INCHES. TOLERANCES ON: DECIMALS ± ANGLES		CONTRACT NO		AMP INCORPORATED Harrisburg, Pa. 17105	
MATERIAL		DR	DATE	NAME	ASSEMBLY, RECEPTACLE, 36 POSITION, RIGHT ANGLE, PRINTED CIRCUIT BOARD (CHAMP-LOK, THRU-BOLT & SELF-TAPPING)
FINISH		CHK	2/26/82	APPD	APPD
		APPD	2/26/82	DESIGN APPD	SCALE 2/1
		OTHER APPD		SIZE	FSCM NO
				00779	DRAWING NO
					552742

552742