

CX2047LANL

- Balun Transformer
- 1:4CT Impedance
- Surface Mount

ELECTRICAL SPECIFICATIONS: @ 25°C

RETURN LOSS:

FREQUENCY	RETURN LOSS
.5 MHz	-17 dB MIN
1 MHz	-20 dB MIN
10 MHz	-29 dB MIN
50 MHz	-28 dB MIN
70 MHz	-27 dB MIN

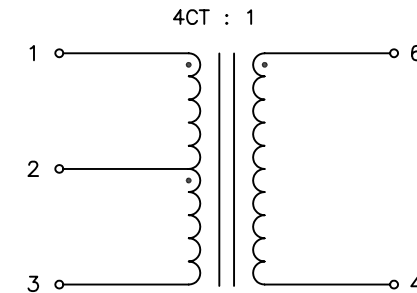
FREQUENCY	RETURN LOSS
100 MHz	-25 dB MIN
150 MHz	-21 dB MIN
200 MHz	-18 dB MIN
250 MHz	-16 dB MIN
300 MHz	-14 dB MIN

INSERTION LOSS:

FREQUENCY	ATTENUATION
100 KHz	-4 dB MAX
.5 MHz	-1 dB MAX
1.5-100 MHz	-0.5 dB MAX
300 MHz	-1 dB MAX

NOTES: UNLESS OTHERWISE SPECIFIED

1. OPERATING TEMPERATURE: -40°C TO +85°C
2. STORAGE TEMPERATURE: -50°C TO +125°C
3. JEDEC MOISTURE: LEVEL 1.
4. DIMENSIONS ARE IN INCHES WITH THE FOLLOWING TOLERANCE:
.XX= ±.01
.XXX= ±.005
5. OPTIONAL TAPE & REEL PACKAGING CAN BE ORDERED
BY ADDING A "T" SUFFIX TO THE PART NUMBER(EX: CX2047LANLT)
6. ROHS COMPLIANT



SCHEMATIC

© Copyright, 2014. Pulse Electronics Corp. All rights reserved. Drawing specifications subject to change without notice. (02/14/14)

PULSE CONFIDENTIAL
&
PROPRIETARY

PRODUCT SPECIFICATION:

XFMR, RF, SGL, RAC, 1:4CT, 0.5-300MHz

DWG. NO./ PART NO.

CX2047LANL

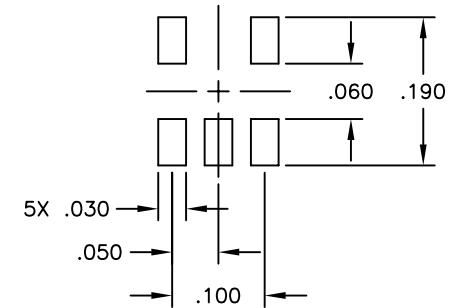
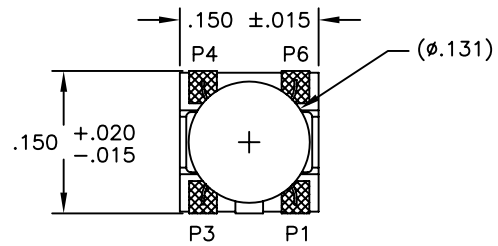
SHEET:

1

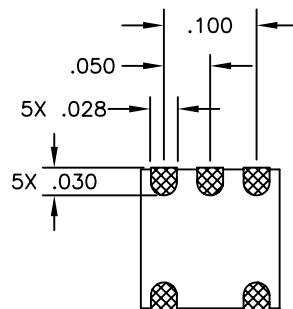
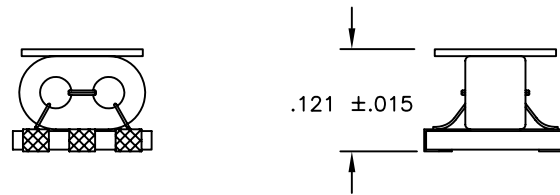
REV.

M12

MECHANICAL SPECIFICATIONS:



SUGGESTED LAND PATTERN



© Copyright, 2014. Pulse Electronics Corp. All rights reserved. Drawing specifications subject to change without notice. (02/14/14)

PULSE CONFIDENTIAL
 &
 PROPRIETARY

PRODUCT SPECIFICATION:
 XFMR, RF, SGL, RAC, 1:4CT, 0.5–300MHz

DWG. NO./ PART NO.	SHEET:	REV.
CX2047LANL	2	M12