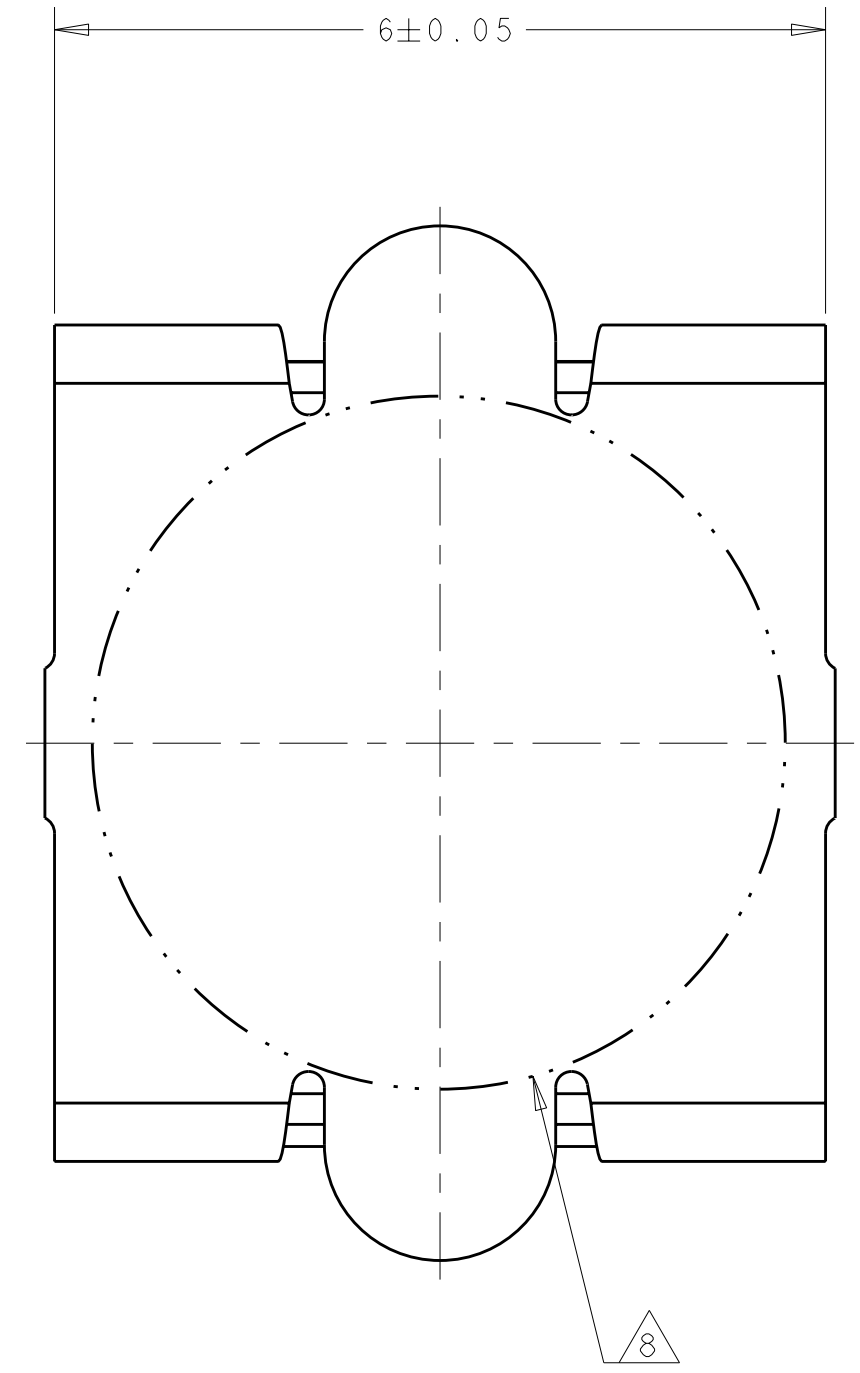
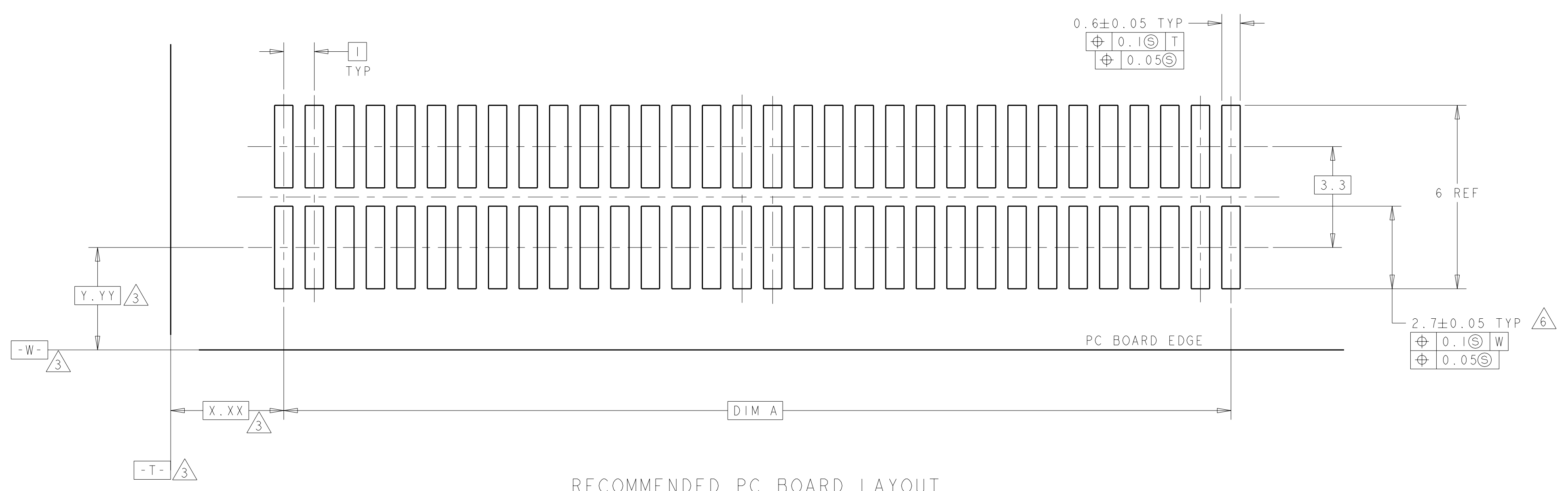
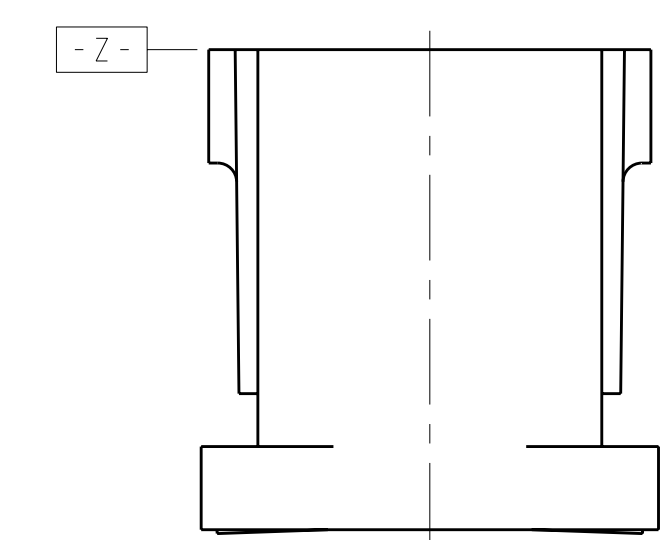
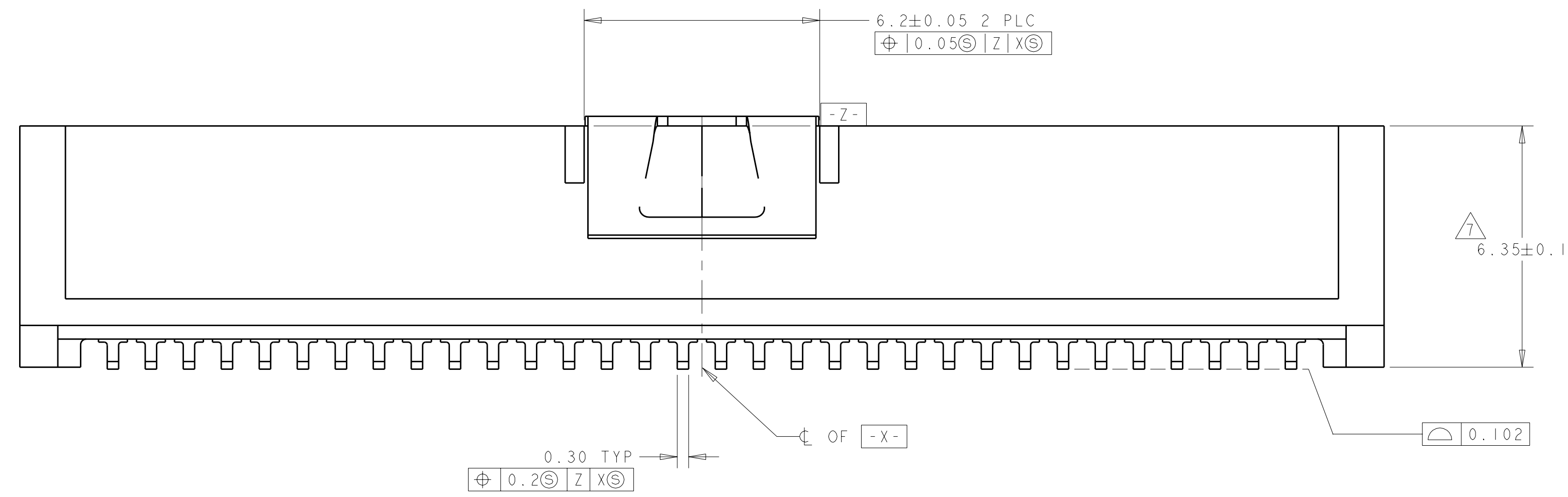
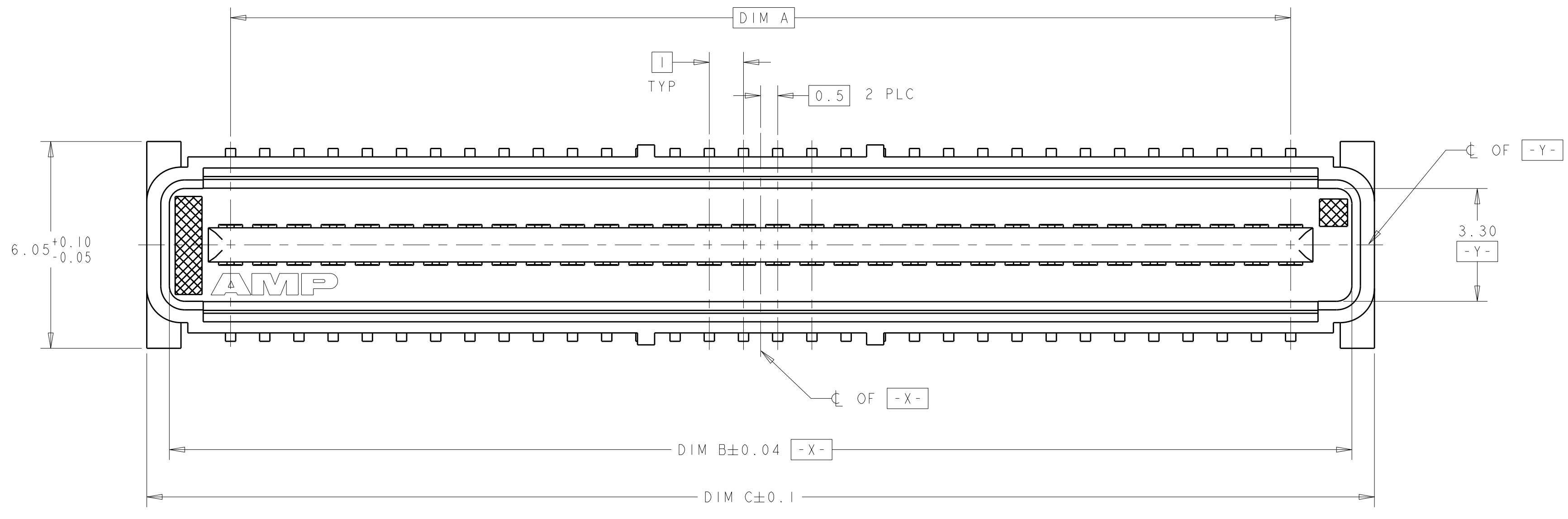


LOC	DIST	REV	DATE	DWN	APVD
AD	00	0	30SEP2004	BC	RW
		A	16SEP2005	BC	RW
		B	10JUL2008	DH	DB



VACUUM COVER

- 1. HOUSING MATERIAL: LIQUID CRYSTAL POLYMER COLOR: BLACK. CONTACT MATERIAL: PHOSPHOR BRONZE.
- 2. CONTACT FINISH: NICKEL UNDERPLATE ALL OVER, MATING SURFACES PLATED TO MEET PLI PERFORMANCE REQUIREMENTS OF INDUSTRY SPECIFICATION EIA-700AAAB, SOLDER TAILS PLATED TIN.
- 3. DATUM LOCATIONS AND BASIC DIMENSIONS TO BE ESTABLISHED BY THE CUSTOMER. CONSULT AMP ENGINEERING WHEN PLACING MULTIPLE CONNECTORS ON A PC BOARD.
- 4. PACKAGED IN TAPE ON REEL PER EIA-481.
- 5. VACUUM COVER DESIGNED FOR 4mm DIA. NOZZLE. VACUUM COVER TO BE REMOVED AFTER SOLDERING. VACUUM COVER REMOVED FROM SOME VIEWS FOR DIMENSIONAL CLARITY.
- 6. SHORTER SOLDER LANDS MAY BE USED PER EIA 700AAAB, HOWEVER 2.7 LENGTH ASSURES OPTIMUM SOLDER FILLET REGARDLESS OF MANUFACTURER OF CONNECTOR.
- 7. REFERRED TO AS DIM N IN EIA 700AAAB SPECIFICATION.
- 8. 5.5 MIN DIAMETER TARGET AREA FOR VACUUM PICK-UP.
- 9. CONTACT FINISH: 0.00381 MINIMUM MATTE TIN PER ASTM B 545 ON SOLDER AREA, 0.00127 MINIMUM GOLD PER ASTM B 488 ON MATING AREA, BOTH OVER 0.00127 MINIMUM NICKEL PER SAE-AMS-QQ-N-290 ON ENTIRE CONTACT.

RECOMMENDED PC BOARD LAYOUT

REV	DESCRIPTION	DATE	DWN	APVD
0	REV PER EC 0512-0235-04	30SEP2004	BC	RW
A	REV PER EC 0512-0213-05	16SEP2005	BC	RW
B	REVISED PER ECO-08-008615	10JUL2008	DH	DB

FINISH	DIM C	DIM B	DIM A	MATING CONNECTOR	STACK HGTS	POS	PART NO
9	45.9	44.58	41	5120528-2	8	84	1-5120532-2
9	35.9	34.58	31	5120528-1	8	64	1-5120532-1
2	45.9	44.58	41	5120528-2	8	84	5120532-2
2	35.9	34.58	31	5120528-1	8	64	5120532-1

DIMENSIONS:	TOLERANCES UNLESS OTHERWISE SPECIFIED:	DRAWN	DATE	NAME
mm	9 PLC ±	B. CARBO	30SEP04	R. WERTZ
	2 PLC ±0.03	R. WERTZ	30SEP04	R. WERTZ
	5 PLC ±0.003	R. WERTZ	30SEP04	R. WERTZ
	4 PLC ±			
	ANGLES ±0°30'			
MATERIAL	SEE TABLE			

PRODUCT SPEC	APPLICATION SPEC	SIZE	CAGE CODE	DRAWING NO	RESTRICTED TO
502-1079	114-25045	A11	00779	C=5120532	

CUSTOMER DRAWING	SCALE	SHEET	OF	REV
	17:1	1	1	B