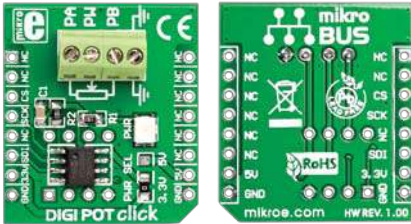


DIGIPOT click™

1. Introduction



Front and back side appearance
of the DIGIPOT click Board

DIGIPOT Click is an accessory board in **mikroBus™** form factor. It features **MCP4161** - a single-channel digital potentiometer with 8-bit resolution (256 wiper steps) and industry-standard SPI serial interface. The resistance value of the digital potentiometer goes up to 10kΩ. It features outstanding AC/DC characteristics and low power consumption. It can be used in audio equipment, servo-motor control, battery charging and control, LCD contrast control, programmable filters etc.

2. Soldering the headers

Before using your click board, make sure to solder the provided 1x8 male headers to both sides of the board. Two 1x8 male headers are included with the board in the package.



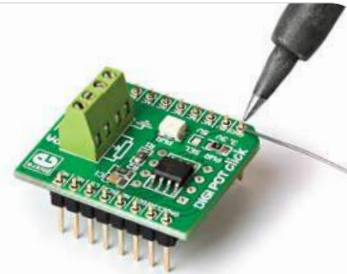
1

2

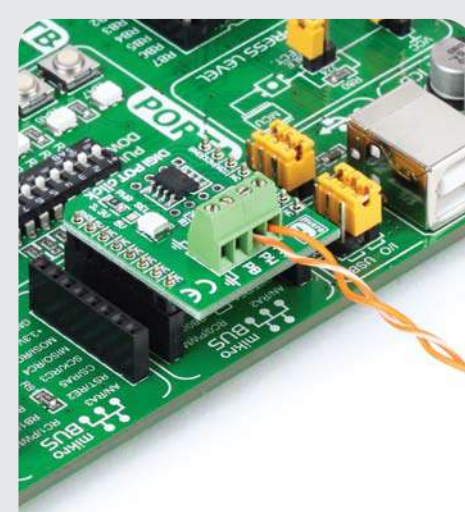


Turn the board upside down, so that bottom side is facing you upwards. Place shorter parts of the header pins in the both soldering pad locations.

3



Turn the board upward again. Make sure to align the headers so that they are perpendicular to the board, then solder the pins carefully.

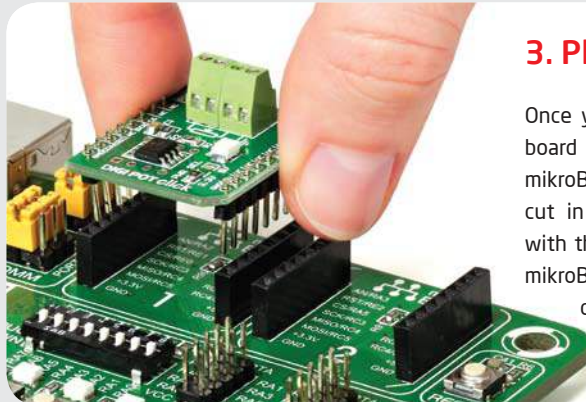


4. Driving the board

There are four screw terminals available for further connections: PA, PB, PW and GND. Data is sent to the board using industry standard SPI communication interface. On-board controller converts the received digital value to the appropriate linearly proportional resistance value.

3. Plugging the board in

Once you have soldered the headers your board is ready to be placed into desired mikroBUS™ socket. Make sure to align the cut in the lower-right part of the board with the markings on the silkscreen at the mikroBUS™ socket. If all the pins are aligned correctly, push the board all the way into the socket.



click™
BOARD
www.mikroe.com

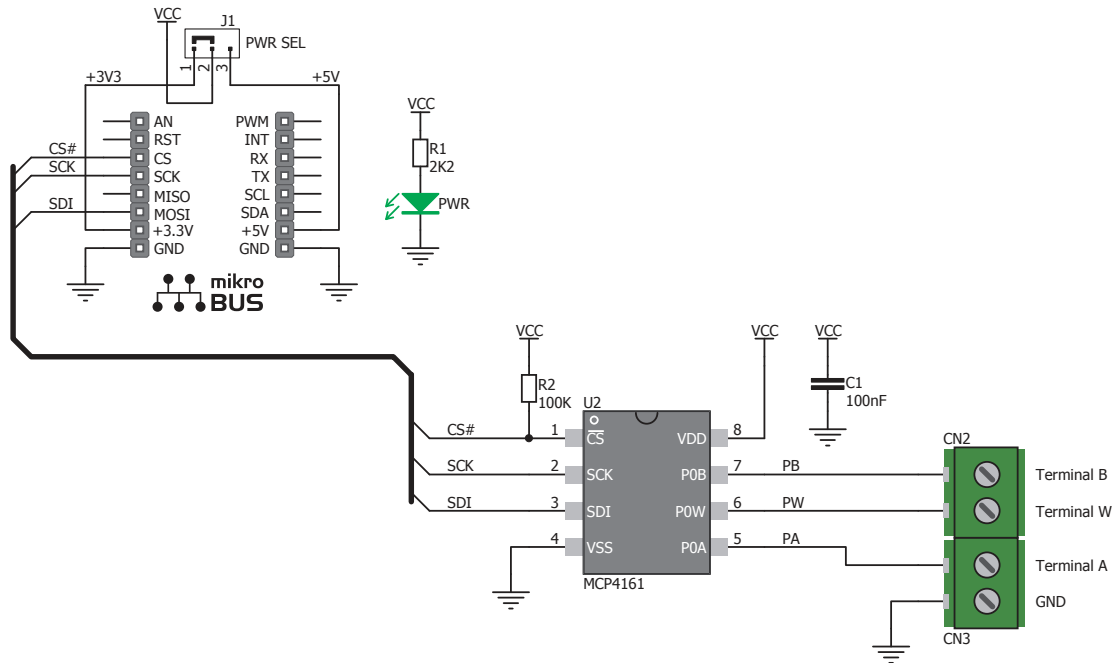
DIGIPOT click Manual
ver. 1.00



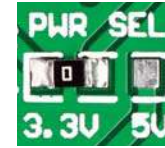
0 100000 020067



5. DIGIPOT click Board Schematics



6. Power supply selection



On-board **PWR SEL** zero-ohm resistor (SMD jumper) is used to determine whether 5V or 3.3V power supply is used. This resistor is provided in 3.3V position by default. In order to use DIGIPOT click with 5V development system, it is necessary to resolder this jumper to 5V position.

7. Code Examples

Once you have done all the necessary preparations, it's time to get your click board up and running. We have provided the examples for mikroC, mikroBasic and mikroPascal compilers on our **Libstock** website. Just download them and you are ready to start.



8. Support

MikroElektronika offers **Free Tech Support** (www.mikroe.com/esupport) until the end of product lifetime, so if something goes wrong, we are ready and willing to help!