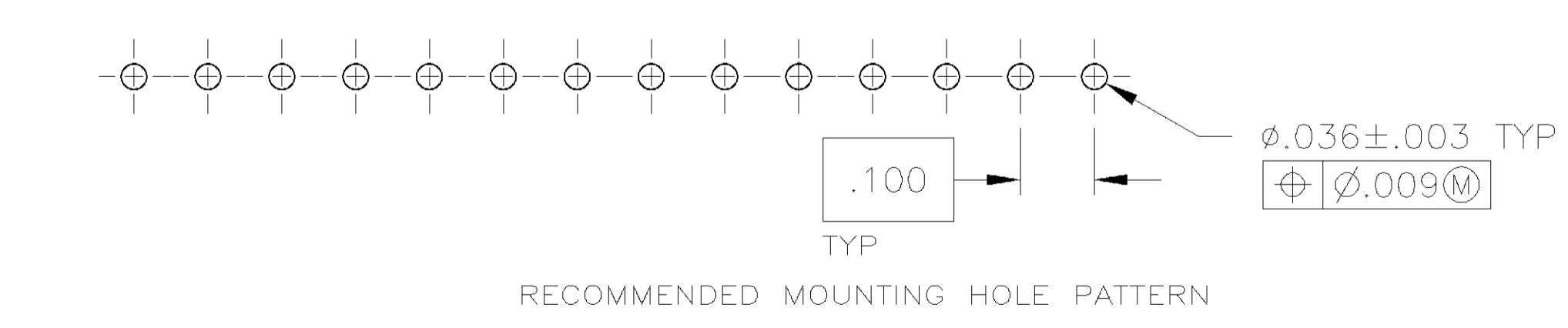
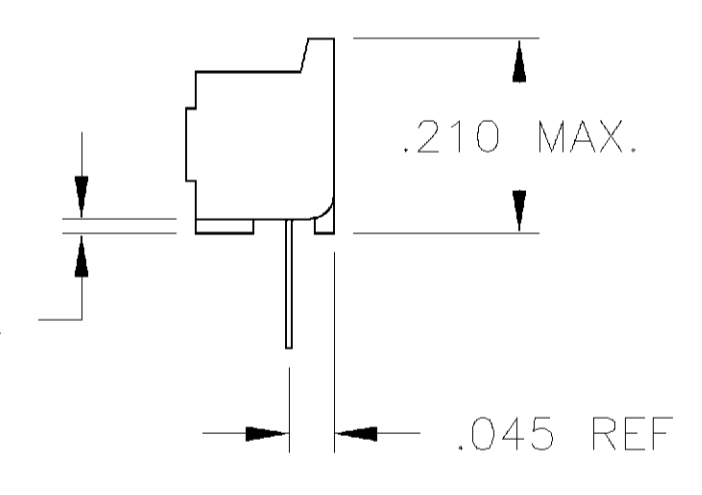
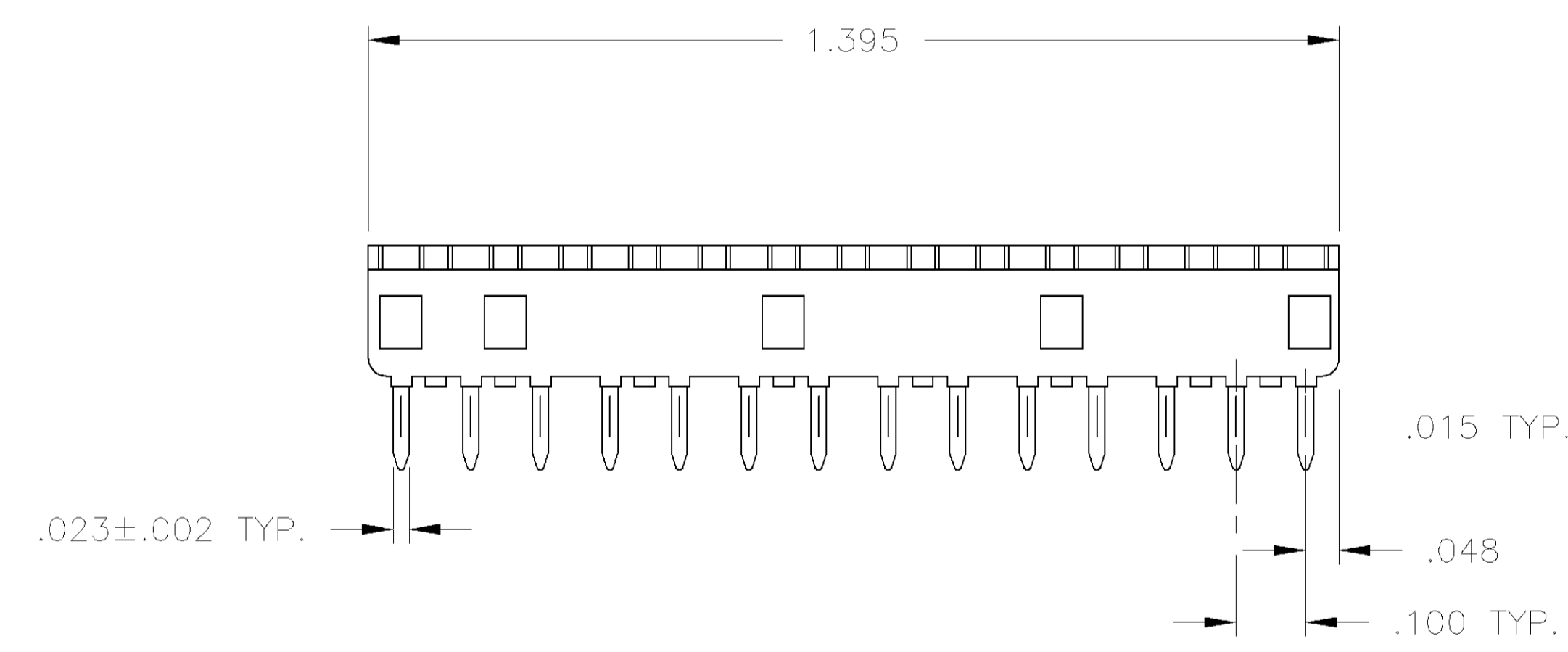
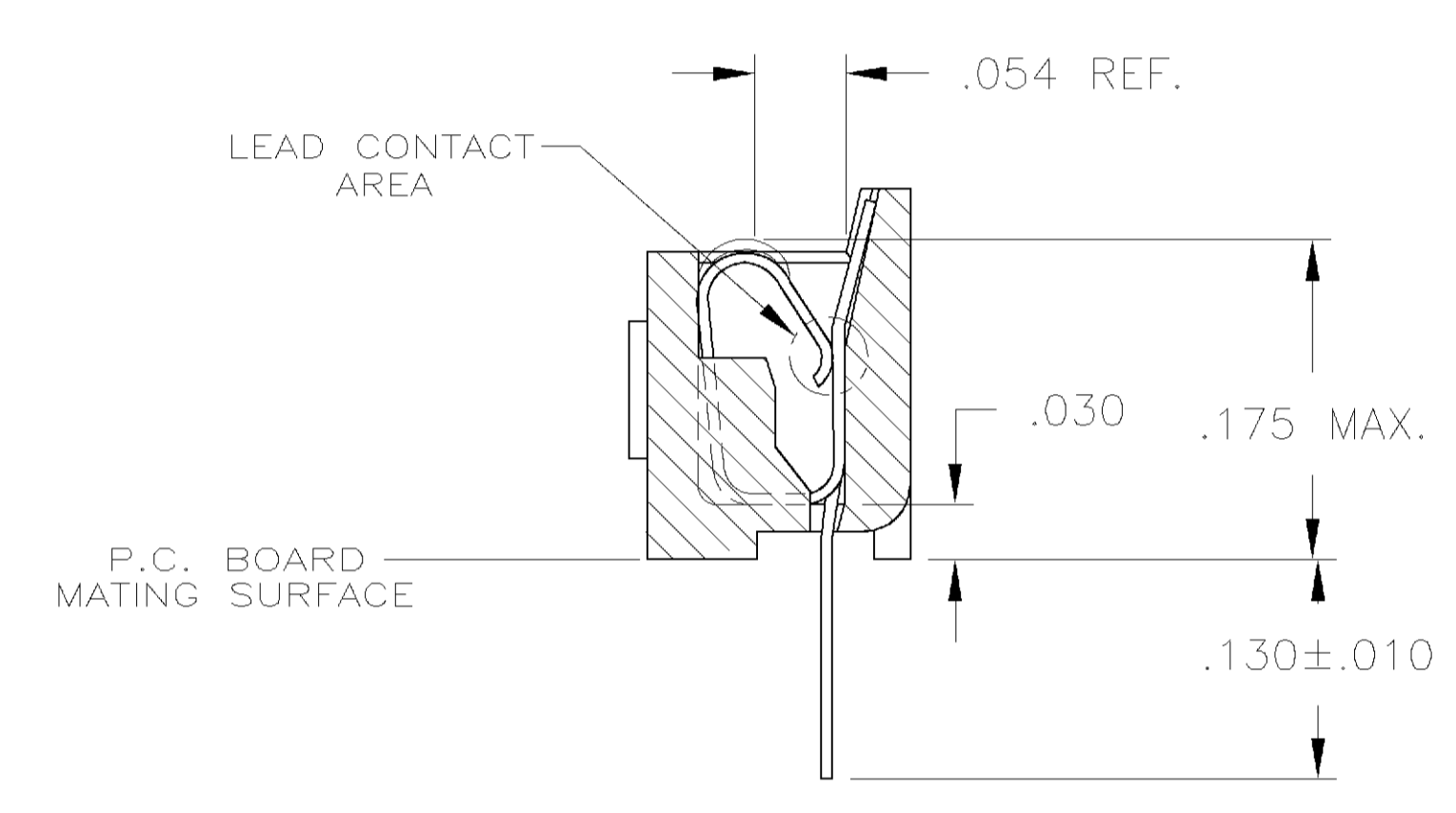


SECTION A-A
 ROTATED 90° CW
 SCALE 10:1
 FOR -6, -7 & -8 ONLY



1. RECEPTACLE ACCEPTS AN .008-.014 THK. I.C. LEAD.
2. TWO .000030 MIN.THK.GOLD STRIPES IN CONTACT AREA, TIN-LEAD(93-7) ON CONTACT LEGS, BALANCE OF CONTACT NICKEL PLATED.
3. TWO .000015 MIN.THK.GOLD STRIPES IN CONTACT AREA, TIN-LEAD(93-7) ON CONTACT LEGS, BALANCE OF CONTACT NICKEL PLATED.



SECTION A-A
 ROTATED 90° CW
 SCALE 10:1
 FOR -1, -2 & -3 ONLY

	TINNED	PHOS.BRZ.	GLASS-FILLED THERMOPLASTIC, 94V-0, BLACK	643646-8
OBSOLETE	△	BE.CU.	GLASS-FILLED THERMOPLASTIC, 94V-0, BLACK	643646-7
	TINNED	BE.CU.	GLASS-FILLED THERMOPLASTIC, 94V-0, BLACK	643646-6
SUPSD BY 643646-2	△	PHOS.BRZ.	GLASS-FILLED THERMOPLASTIC, 94V-0, BLACK	643646-4
	TINNED	PHOS.BRZ.	GLASS-FILLED THERMOPLASTIC, 94V-0, BLACK	643646-3
OBSOLETE	△	BE.CU.	GLASS-FILLED THERMOPLASTIC, 94V-0, BLACK	643646-2
	TINNED	BE.CU.	GLASS-FILLED THERMOPLASTIC, 94V-0, BLACK	643646-1
	CONTACT FINISH	CONTACT MAT'L	HOUSING MATERIAL	PART NO.

THIS DRAWING IS A CONTROLLED DOCUMENT.

DIMENSIONS: INCHES	TOLERANCES UNLESS OTHERWISE SPECIFIED:	DWN: M.CYRUS 6-1-84	Tyco Electronics Corporation Harrisburg, PA 17105
	0 PLC ± -	CHK: N.JONES 7-3-84	
	1 PLC ± -	APVD: J.GRAY 7-10-84	
	2 PLC ± -	NAME: SOCKET ASSY, SIP, 14 POS, DIPLOMATE DL	
	3 PLC ± .005	PRODUCT SPEC: 108-1066	RESTRICTED TO
	4 PLC ± -	APPLICATION SPEC: 114-1049	SIZE: A1
MATERIAL: SEE TABLE	FINISH: SEE TABLE	WEIGHT: -	SCALE: 5:1
		CUSTOMER DRAWING	SHEET 1 OF 1