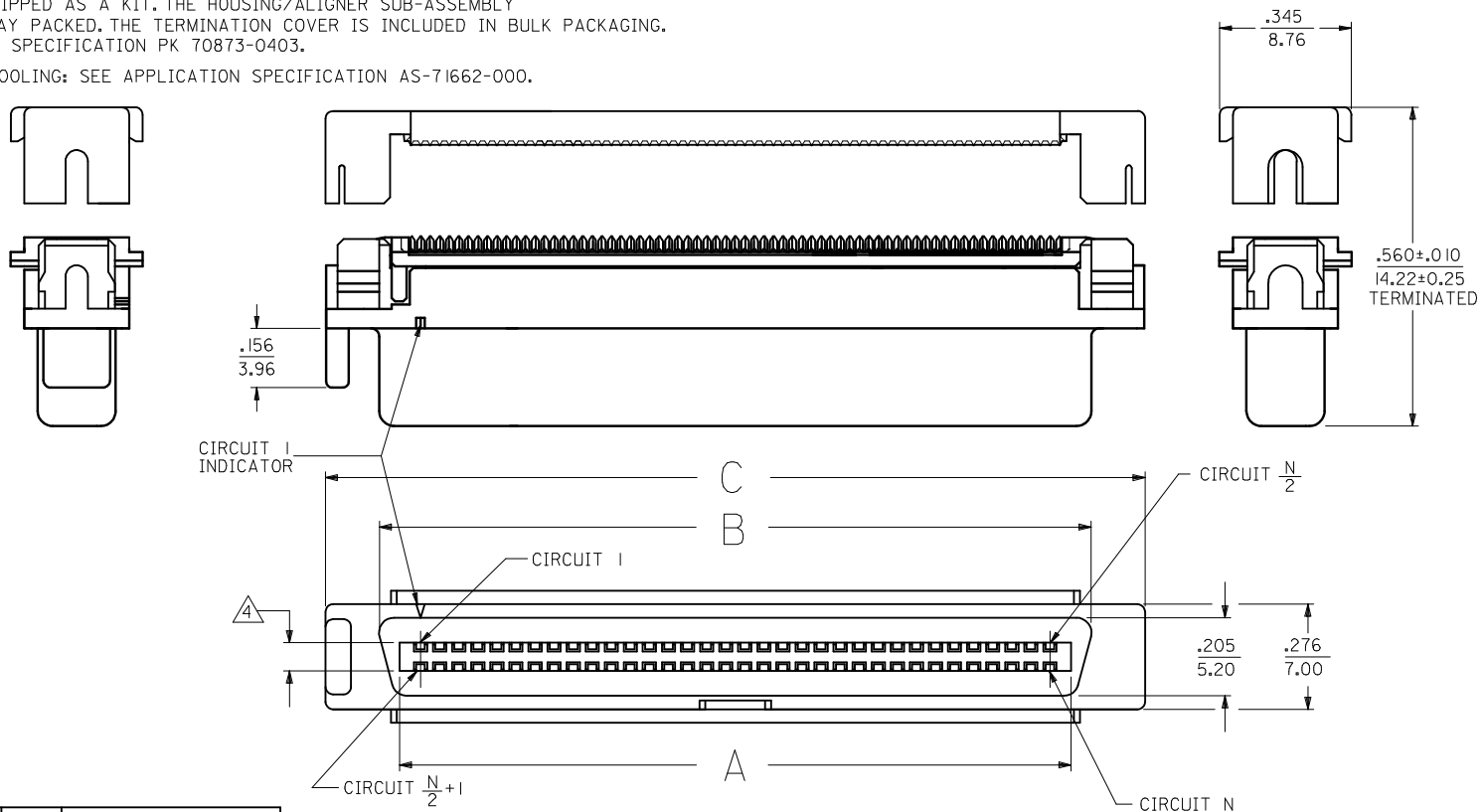


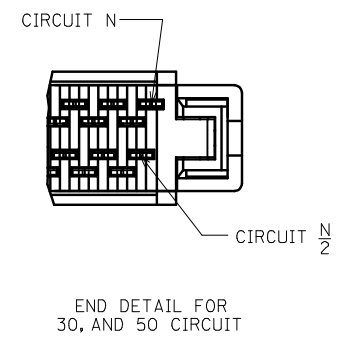
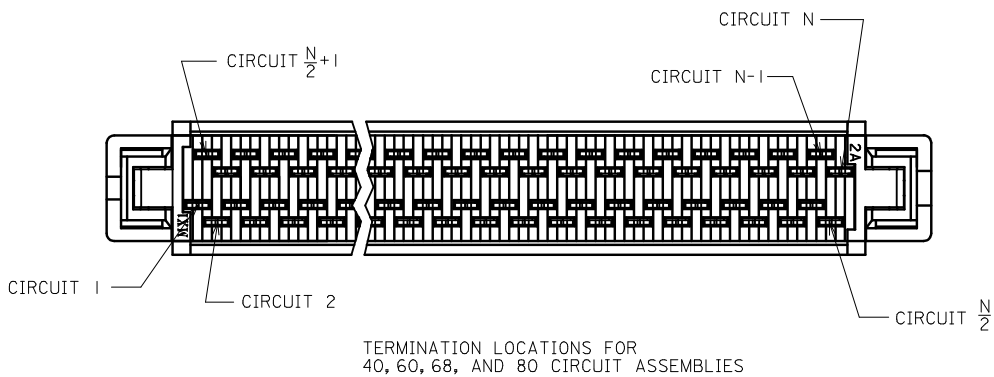
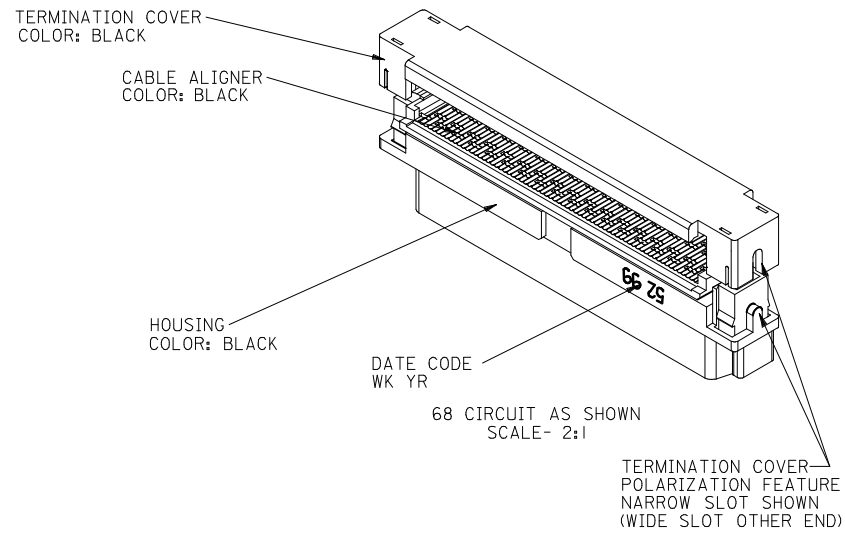
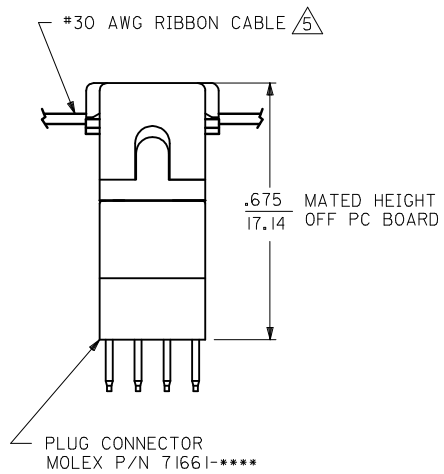
NOTES:

- 1) MATERIALS:  
HOUSING- LCP, GLASS FILLED, 94V-0, BLACK.  
ALIGNER, TERMINATION COVER- POLYESTER, GLASS FILLED, 94V-0, BLACK.  
TERMINALS- PHOSPHOR BRONZE ALLOY.
- 2) FINISH:  
SELECTIVE GOLD IN CONTACT AREA  
THICKNESS = 30 MICROINCHES / 0.763 MICROMETERS  
SELECTIVE TIN IN IDT AREA  
THICKNESS = 50 MICROINCHES / 1.27 MICROMETERS  
NICKEL UNDERPLATE OVERALL.
- 3) PRODUCT SPECIFICATION: PS-71660.
- 4) ASSEMBLY MATES WITH MOLEX P/N 71661-\*\*\*\*.  
CONNECTOR WILL ACCEPT MATING TO A P.C. BOARD WITH  
A THICKNESS OF .062±.003.
- 5) CONNECTOR WILL TERMINATE .025  $\phi$  FLAT RIBBON CABLES OF THE FOLLOWING CONSTRUCTION:  
#30 AWG STRANDED OR SOLID, PVC INSULATION.  
#30 AWG SOLID, FEP INSULATION.
- 6) PRODUCT IS SHIPPED AS A KIT. THE HOUSING/ALIGNER SUB-ASSEMBLY  
IS SHIPPED TRAY PACKED. THE TERMINATION COVER IS INCLUDED IN BULK PACKAGING.  
PER PACKAGING SPECIFICATION PK 70873-0403.
- 7) APPLICATION TOOLING: SEE APPLICATION SPECIFICATION AS-71662-000.

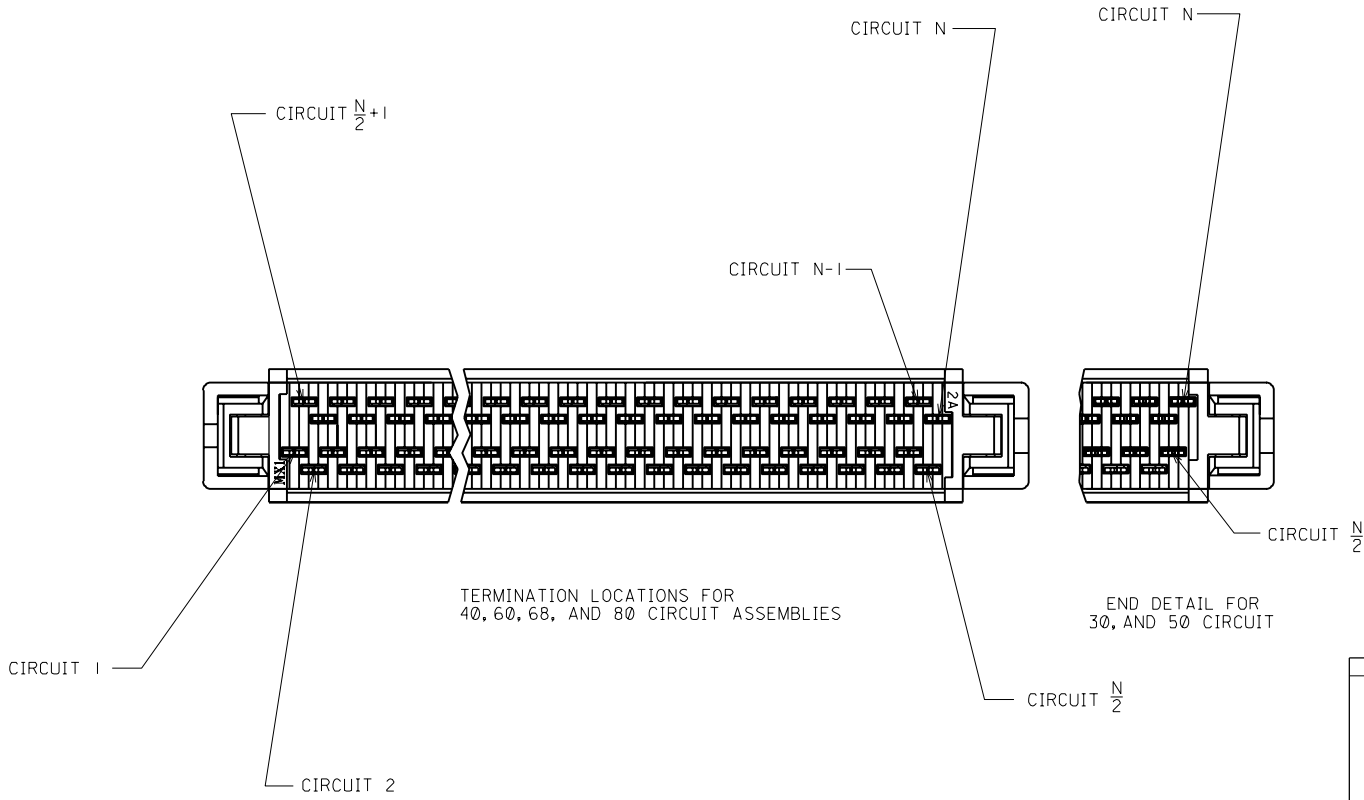
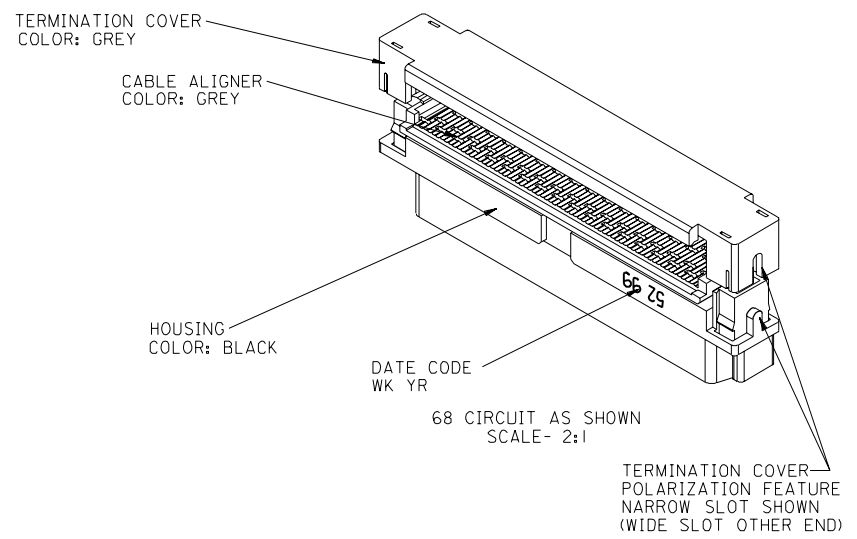
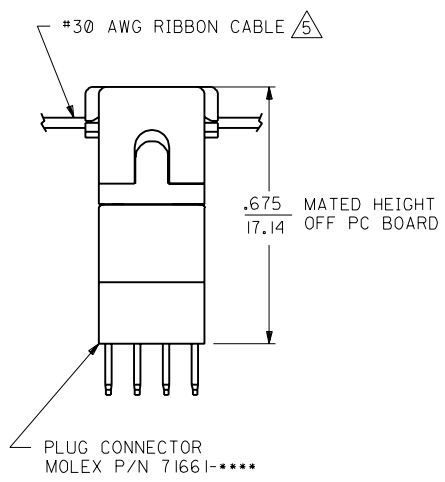


2.445 (62.10)	2.166 (55.02)	2.025 (51.43)	80	71660-3580
2.145 (54.48)	1.866 (47.40)	1.725 (43.81)	68	71660-3568
1.945 (49.40)	1.666 (42.32)	1.525 (38.74)	60	71660-3560
1.695 (43.05)	1.416 (35.97)	1.275 (32.38)	50	71660-3550
1.445 (36.70)	1.166 (29.62)	1.025 (26.04)	40	71660-3540
1.195 (30.35)	.916 (23.27)	.775 (19.68)	30	71660-3530
C	B	A	CKT "N"	MATERIAL NUMBER

<b>CHG TO BLACK ALIGN AND COVER</b> EC NO: UCP2016-1505 DRWINBARKER 2015/10/07 CHKD:DMORGAN APPR:SMILLER 2015/10/16	QUALITY SYMBOLS	GENERAL TOLERANCES (UNLESS SPECIFIED)	DIMENSION STYLE	SCALE	DESIGN UNITS	THIRD ANGLE PROJECTION
	$\nabla=0$ $\nabla=0$ $\nabla=0$	mm INCH 4 PLACES ± --- ± --- 3 PLACES ± --- ± .005 2 PLACES ± 0.13 ± .010 1 PLACE ± 0.25 ± --- 0 PLACE ± --- ± ---	IN/MM	INCH	INCH	TITLE SALES ASSEMBLY EBBI IDT RECEPTACLE
	DESCRIPTION	ANGULAR ±1/2°	DRAWN BY	DATE	DATE	MATERIAL NO. SEE TABLE
	REV	DRAFT WHERE APPLICABLE MUST REMAIN WITHIN DIMENSIONS	CHECKED BY	DATE	DATE	DOCUMENT NO. SDA-71660-35**
			APPROVED BY	DATE	SHEET NO. 1 OF 2	
			SMILLER	2015/10/16	THIS DRAWING CONTAINS INFORMATION THAT IS PROPRIETARY TO MOLEX INCORPORATED AND SHOULD NOT BE USED WITHOUT WRITTEN PERMISSION	



SEE SHEET 1 EC NO: UCP2016-1505 DRWN:BBARKER 2015/10/07 CHKD:DMORGAN APPR:SMILLER 2015/10/16	QUALITY SYMBOLS ▽=0 ▽=0 ▽=0	GENERAL TOLERANCES (UNLESS SPECIFIED) mm INCH 4 PLACES ± --- ± --- 3 PLACES ± --- ± .005 2 PLACES ± 0.13 ± .010 1 PLACE ± 0.25 ± --- 0 PLACE ± --- ± ---	DIMENSION STYLE IN/MM DRAWN BY DATE BBARKER 2015/10/07 CHECKED BY DATE DMORGAN 2015/10/07 APPROVED BY DATE SMILLER 2015/10/16	SCALE 4:1 DESIGN UNITS INCH	THIRD ANGLE PROJECTION
	SALES ASSEMBLY EBBI IDT RECEPTACLE		molex		SHEET NO. 2 OF 2
	ANGULAR ±1/2° DRAFT WHERE APPLICABLE MUST REMAIN WITHIN DIMENSIONS		MATERIAL NO. SEE TBL, SHT 1		DOCUMENT NO. SDA-71660-35**
	THIS DRAWING CONTAINS INFORMATION THAT IS PROPRIETARY TO MOLEX INCORPORATED AND SHOULD NOT BE USED WITHOUT WRITTEN PERMISSION				



71660			
A	SEE SHEET 1		
MFG. SH.	REV.	LTR.	REVISONS
$\nabla = 1$	$\blacktriangledown = 6$	REVISE ONLY ON CAD SYSTEM	

DIMENSIONS SHOWN (METRIC) INCH UNLESS OTHERWISE SPECIFIED TOLERANCES ANGULAR $\pm 1/2^\circ$		TITLE SALES ASSEMBLY EBBI VERTICAL IDT RECEPTACLE FOR PVC AND FEP RIBBON CA	
3 PLACE $\pm .005$	---	INCH	METRIC
2 PLACE $\pm .01$	$\pm 0.13$		
1 PLACE ---	$\pm 0.25$		
DRAFT WHERE APPLICABLE MUST REMAIN WITHIN DIMENSIONS		MOLEX INCORPORATED L15LE,ILL. 60532 U.S.A.	
DRWG. BY: DGA	CHK'D. BY: DGA	PART NO. SEE TABLE	DRWG. NO. SDA-71660-35
APP'D. BY: MGB	SCALE: 4: 1	FILE NAME	THIS DRAWING CONTAINS INFORMATION THAT IS PROPRIETARY TO MOLEX INC. AND SHOULD NOT BE USED WITHOUT WRITTEN PERMISSION.
			DATE: 00/02/22
			SHEET NO. 2
			U.S.A.
			SIZE: C