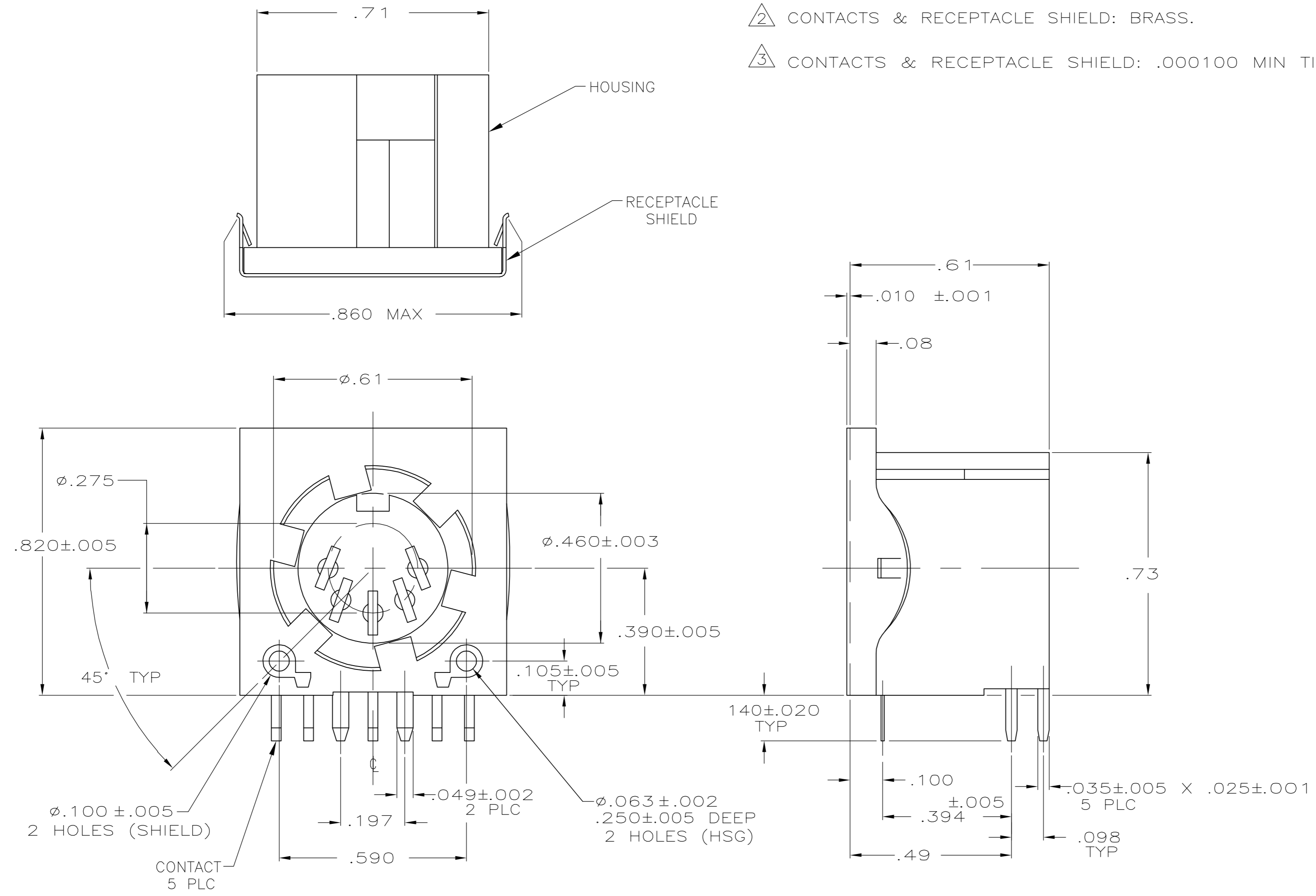


THIS DRAWING IS UNPUBLISHED. RELEASED FOR PUBLICATION
 © COPYRIGHT BY TYCO ELECTRONICS CORPORATION. ALL RIGHTS RESERVED.

LOC		DIST		REVISIONS			
P	LTR	DESCRIPTION		DATE	DWN	APVD	
GP	00	01		REVISED PER ECO-07-008008	10APR07	JDP/CWR	

- ① HOUSING: NYLON, GLASS-FILLED, UL 94V-0 RATED, BLACK.
- ② CONTACTS & RECEPTACLE SHIELD: BRASS.
- ③ CONTACTS & RECEPTACLE SHIELD: .000100 MIN TIN OVER .000050 MIN NICKEL.



TUBE	5520842-2
GANG OF TUBES	5520842-1
PACKAGING TYPE	PART NO
Tyco Electronics Corporation Harrisburg, PA 17105-3608	
NAME	
CIRCULAR DIN SHIELDED RECEPTACLE, 5 POSITION	
SIZE	RESTRICTED TO
A2	-
CAGE CODE	SCALE
00779	4:1
DRAWING NO	SHEET
C=5520842	1 of 1
REV	01

THIS DRAWING IS A CONTROLLED DOCUMENT.		DWN	11-12-04
DIMENSIONS: mm [INCHES]		L. VARELA - DOCK5	
TOLERANCES UNLESS OTHERWISE SPECIFIED:		CHK	11-12-04
0 PLC	± -	C. ROHDE	
1 PLC	± -	APVD	11-12-04
2 PLC	± .01	M. WALMSLEY	
3 PLC	± .010	PRODUCT SPEC	108-10047
4 PLC	± -	APPLICATION SPEC	114-2105
ANGLES	± -	WEIGHT	-
FINISH	③	CUSTOMER DRAWING	