

DRAWING MADE IN THIRD ANGLE PROJECTION
 THIS DRAWING IS UNPUBLISHED. RELEASED FOR PUBLICATION
 © COPYRIGHT 1983 BY AMP INCORPORATED, HARRISBURG, PA. ALL INTERNATIONAL RIGHTS RESERVED. AMP PRODUCTS MAY BE COVERED BY U.S. AND FOREIGN PATENTS AND/OR PATENTS PENDING.

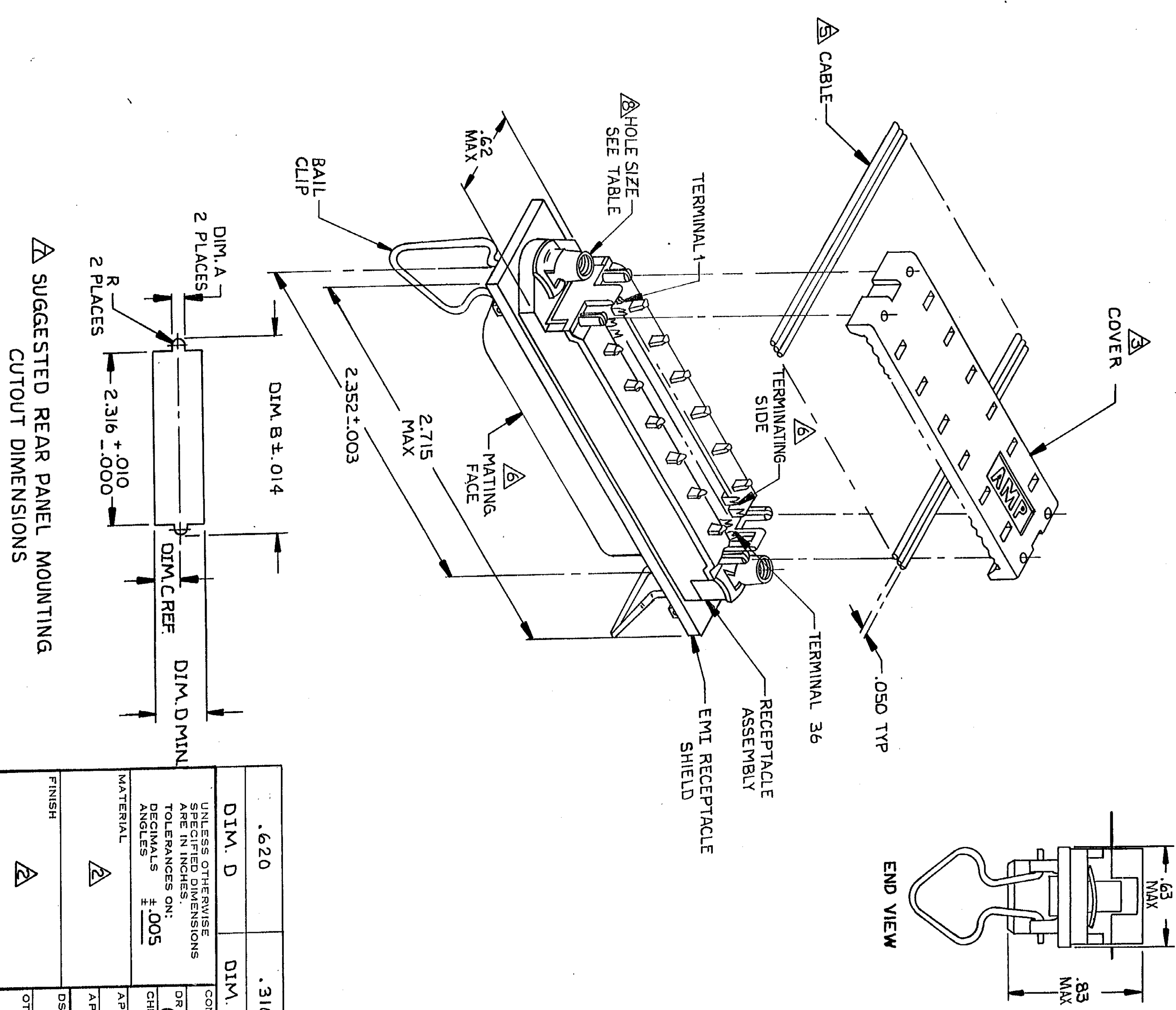
3

2

1

Loc DIST
AA 20

P	F	ZONE	L	T	R	DESCRIPTION	DATE	APPROVED
G						0890LETE-1:ECN AA-6958	1-9-91	LKS AH



DIM. D		.620		DIM. B		2.478		DIM. A		.126 ± .003		4-40 UNCL-2B		554346-2	
DIM. C		.310		DIM. B		2.478		DIM. A		.126 ± .003		SHIELD HOLE SIZE		PART NO.	
CONTRACT NO. AMP AMP INCORPORATED Harrisburg, Pa. 17105															
DR		C. Uetzel		12-8-83		NAME		EMI RECEPTACLE ASSEMBLY, 36 POSITION, LOW PROFILE, SHIELDED, BAIL LOCK, CHAMP LATCH							
CHK		M.D. Fiedel		12-24-83		APPD.		FSCM NO. 00779							
APPD.		M.D. Fiedel		11/13/83		APPD.		DRAWING NO. 554346							
DSGN APPD		M.D. Fiedel		11/13/83		SCALE		2:1							
OTHER APPD						SHEET		1 OF 1							

- THE CONTACT SURFACES OF THE TERMINALS ARE COATED WITH LUBRICANT.
 - MATERIAL: HOUSING & COVER - POLYPHENYLENE OXIDE (BLACK).
 TERMINALS - GOLD OVER NICKEL PLATED HIGH STRENGTH COPPER ALLOY ON MATING FACE & GOLD FLASH OVER NICKEL PLATE ON TERMINATING SIDE.
 EMI SHIELD - NICKEL PLATED DIE CASTING.
 BAIL CLIPS - PASSIVATED STAINLESS STEEL.
 HARDWARE - ZINC PLATED SPRING STEEL.
 - COVER SHOWN LOOSE BUT SHIPPED ASSEMBLED.
 - WIRE RANGE: 26 AWG SOLID THRU 30 AWG SOLID AND 28 AWG STRANDED RIBBON CABLE.
 - FLAT CABLE SHALL BE FURNISHED BY CUSTOMER.
 - MATING FACE CONSISTS OF TWO ROWS OF TERMINALS ON .085 CENTERS. TERMINATING SIDE CONSISTS OF TERMINALS ON .100 CENTERS FOR AN EFFECTIVE .050 TERMINATION.
 - PANEL THICKNESS RANGE: .062 MAX.
 - HOLES TO BE TAPPED AFTER PLATING.
10. FOR MORE INFORMATION REFER TO AMP PRODUCT SPECIFICATION 108-6076 & APPLICATION SPEC 114-6030.

554346

WAS 1250-83-12-1 f-2

AMP 1471-7

CUSTOMER DRAWING