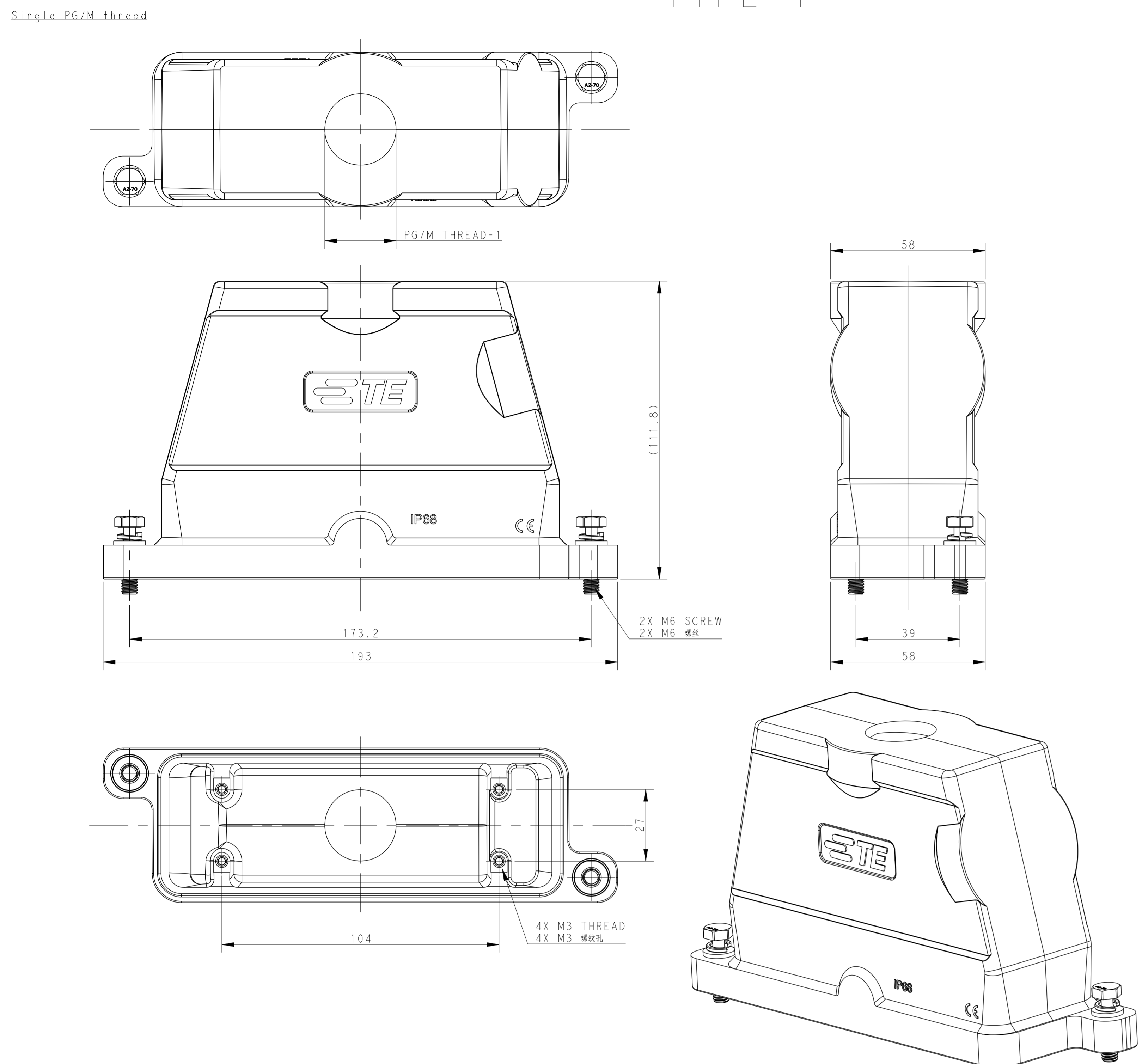
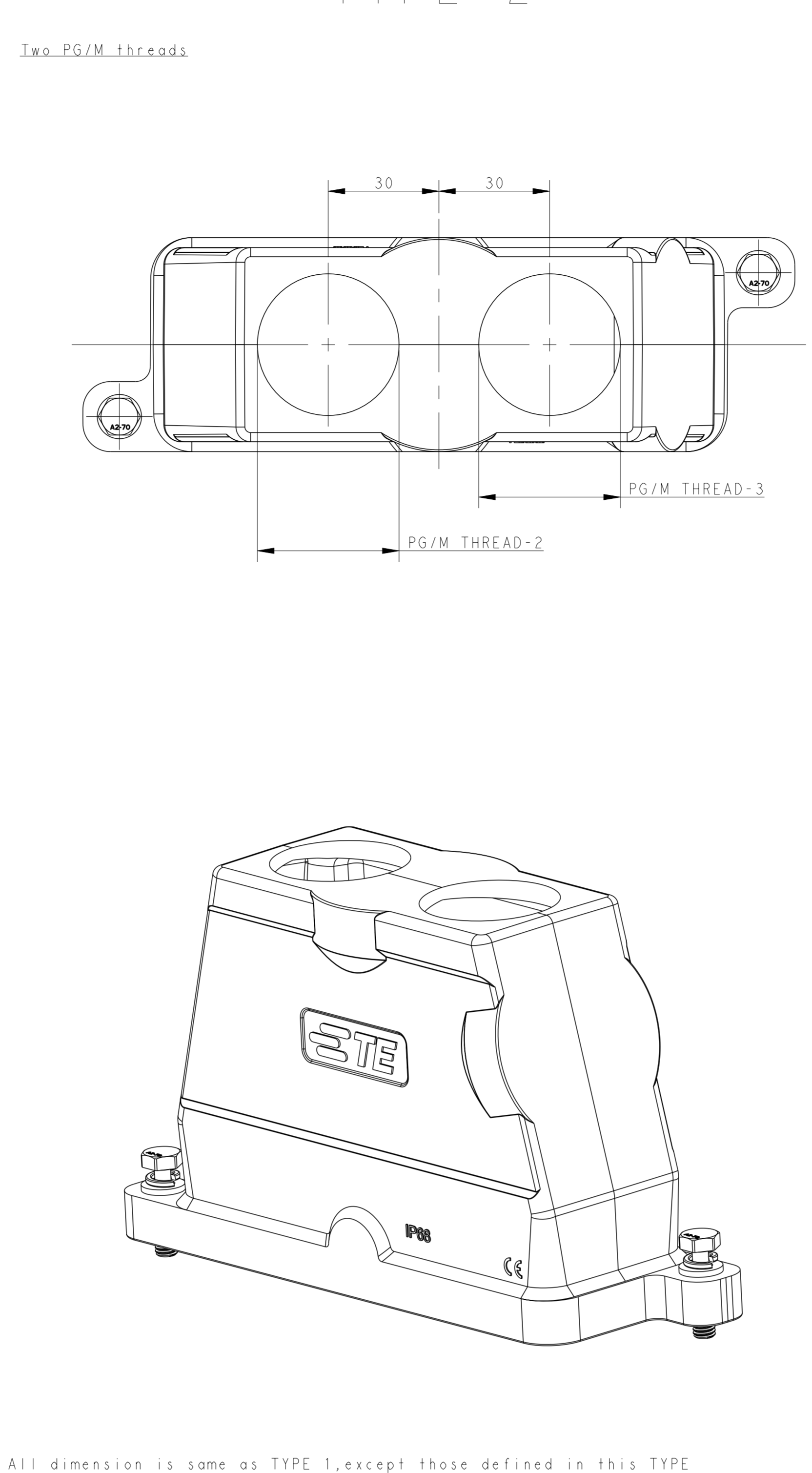


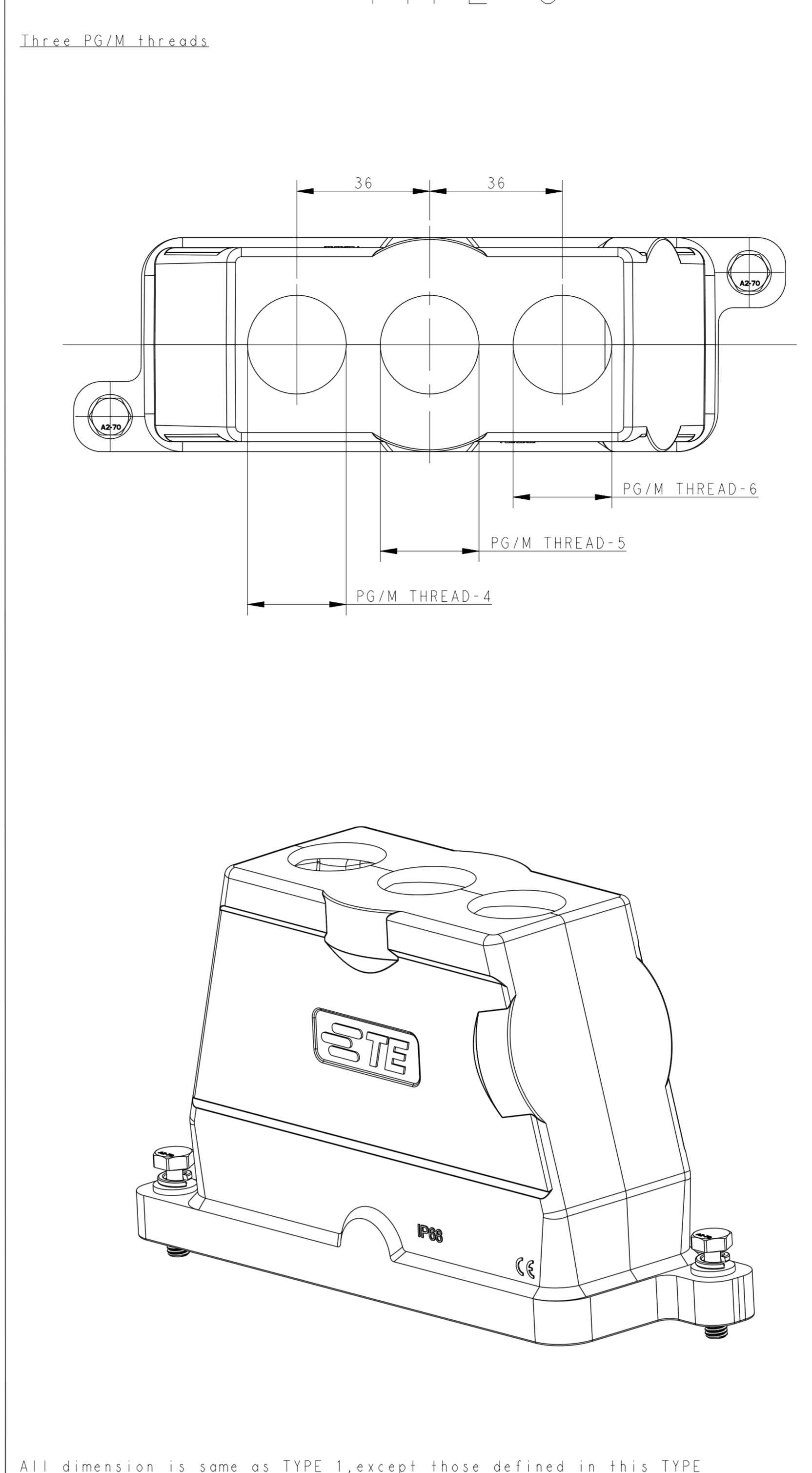
TYPE 1



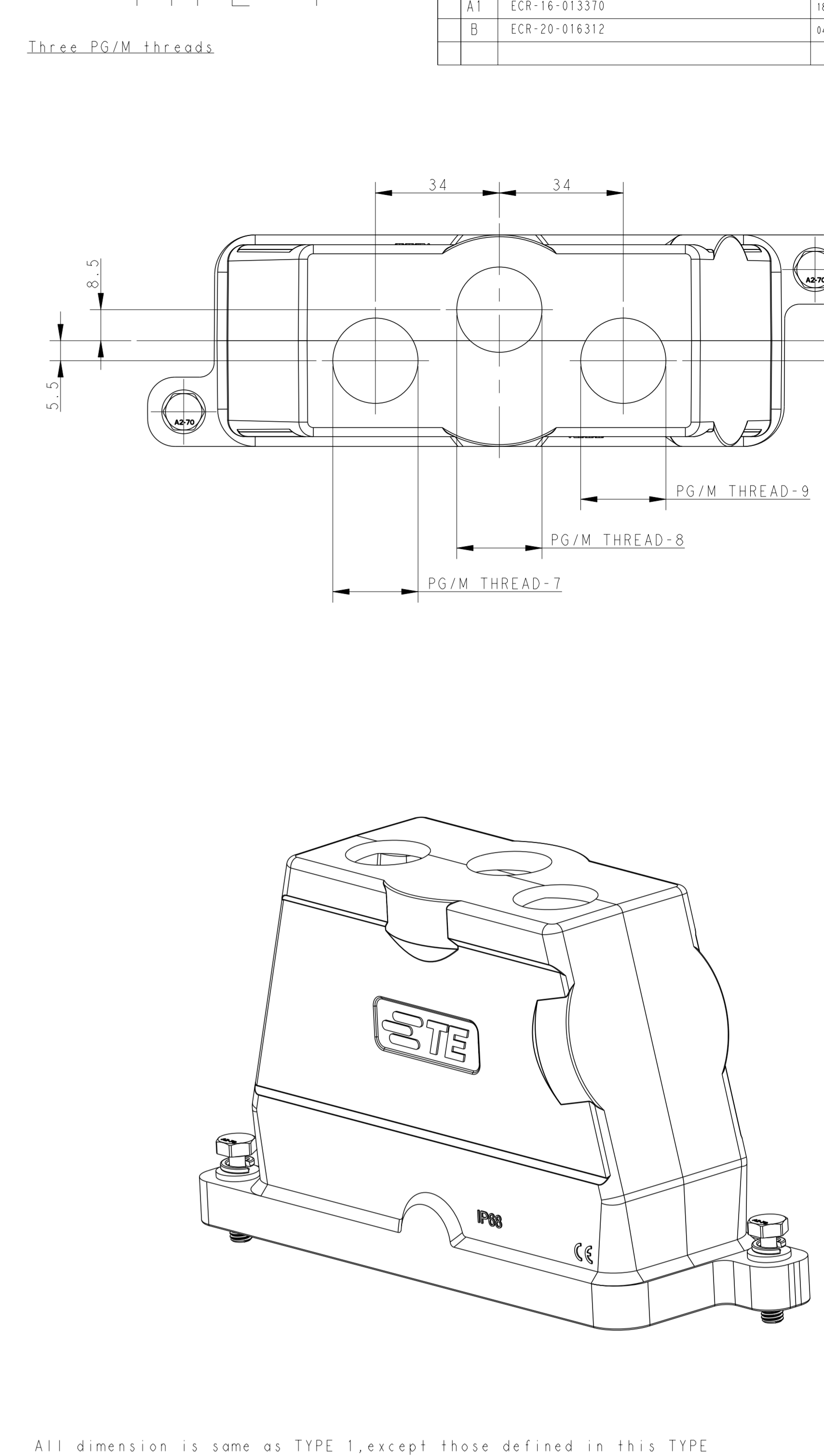
TYPE 2



TYPE 3



TYPE 4



| REVISIONS | | | |
|-----------|----------|----|-------|
| REV | DATE | BY | APP'D |
| A | 20160214 | DW | CW |
| A1 | 20160214 | DW | CW |
| B | 20160221 | BS | CW |

All dimension is same as TYPE 1, except those defined in this TYPE

All dimension is same as TYPE 1, except those defined in this TYPE

All dimension is same as TYPE 1, except those defined in this TYPE

NOTES:
1. TECHNICAL CHARACTERISTICS:
HOOD MATERIAL: DIE CAST ALUMINIUM ALLOY
SURFACE: SEE TABLE
DEGREE OF PROTECTION: IP68 (MATED)

注释:
1. 技术特性:
壳体材料: 铝合金
表面处理: 见表格
防护等级: IP68 (配合)

| PART NUMBER | 料号 | DESCRIPTION | PG/M THREAD-9 | PG/M THREAD-8 | PG/M THREAD-7 | PG/M THREAD-6 | PG/M THREAD-5 | PG/M THREAD-4 | PG/M THREAD-3 | PG/M THREAD-2 | PG/M THREAD-1 | TYPE |
|-----------------|------------------------|---|---------------|---------------|---------------|---------------|---------------|---------------|---------------|---------------|---------------|---------------|
| T1920240325-009 | H24BPR-TGH-3M25-EMC-C | H24BPR HOOD, DIAGONAL LOCKING, TOP ENTRY 3M25, POWDER COATED, BLACK H24BPR对角锁定顶入壳3M25 黑色 | M25 | M25 | M25 | - | - | - | - | - | - | TYPE 4 类型4 |
| T1920240321-009 | H24BPR-TGH-3PG21-EMC-C | H24BPR HOOD, DIAGONAL LOCKING, TOP ENTRY 3PG21, POWDER COATED, BLACK H24BPR对角锁定顶入壳3PG21 黑色 | - | - | - | PG21 | PG21 | PG21 | - | - | - | TYPE 3 类型3 |
| T1920241232-009 | H24BPR-TGH-2M32-EMC-C | H24BPR HOOD, DIAGONAL LOCKING, TOP ENTRY 2M32, POWDER COATED, SILVER WHITE H24BPR对角锁定顶入壳2M32 银白色 | - | - | - | - | - | - | M32 | M32 | - | TYPE 2 类型2 |
| T1920240229-009 | H24BPR-TGH-2PG29-EMC-C | H24BPR HOOD, DIAGONAL LOCKING, TOP ENTRY 2PG29, POWDER COATED, BLACK H24BPR对角锁定顶入壳2PG29 黑色 | - | - | - | - | - | - | PG29 | PG29 | - | TYPE 2 类型2 |
| T1920240240-009 | H24BPR-TGH-2M40-EMC-C | H24BPR HOOD, DIAGONAL LOCKING, TOP ENTRY 2M40, POWDER COATED, BLACK H24BPR对角锁定顶入壳2M40 黑色 | - | - | - | - | - | - | M40 | M40 | - | TYPE 2 类型2 |
| T1920241140-009 | H24BPR-TGH-M40-EMC-C | H24BPR HOOD, DIAGONAL LOCKING, TOP ENTRY M40, POWDER COATED, SILVER WHITE H24BPR对角锁定顶入壳M40 银白色 | - | - | - | - | - | - | - | - | M40 | TYPE 1 类型1 |
| T1920241136-009 | H24BPR-TGH-PG36-EMC-C | H24BPR HOOD, DIAGONAL LOCKING, TOP ENTRY PG36, POWDER COATED, SILVER WHITE H24BPR对角锁定顶入壳PG36 银白色 | - | - | - | - | - | - | - | - | PG36 | TYPE 1 类型1 |
| T1920241132-009 | H24BPR-TGH-M32-EMC-C | H24BPR HOOD, DIAGONAL LOCKING, TOP ENTRY M32, POWDER COATED, SILVER WHITE H24BPR对角锁定顶入壳M32 银白色 | - | - | - | - | - | - | - | - | M32 | TYPE 1 类型1 |
| T1920241129-009 | H24BPR-TGH-PG29-EMC-C | H24BPR HOOD, DIAGONAL LOCKING, TOP ENTRY PG29, POWDER COATED, SILVER WHITE H24BPR对角锁定顶入壳PG29 银白色 | - | - | - | - | - | - | - | - | PG29 | TYPE 1 类型1 |
| T1920241125-009 | H24BPR-TGH-M25-EMC-C | H24BPR HOOD, DIAGONAL LOCKING, TOP ENTRY M25, POWDER COATED, SILVER WHITE H24BPR对角锁定顶入壳M25 银白色 | - | - | - | - | - | - | - | - | M25 | TYPE 1 类型1 |
| T1920241121-009 | H24BPR-TGH-PG21-EMC-C | H24BPR HOOD, DIAGONAL LOCKING, TOP ENTRY PG21, POWDER COATED, SILVER WHITE H24BPR对角锁定顶入壳PG21 银白色 | - | - | - | - | - | - | - | - | PG21 | TYPE 1 类型1 |
| T1920240140-009 | H24BPR-TGH-M40-EMC-C | H24BPR HOOD, DIAGONAL LOCKING, TOP ENTRY M40, POWDER COATED, BLACK H24BPR对角锁定顶入壳M40 黑色 | - | - | - | - | - | - | - | - | M40 | TYPE 1 类型1 |
| T1920240136-009 | H24BPR-TGH-PG36-EMC-C | H24BPR HOOD, DIAGONAL LOCKING, TOP ENTRY PG36, POWDER COATED, BLACK H24BPR对角锁定顶入壳PG36 黑色 | - | - | - | - | - | - | - | - | PG36 | TYPE 1 类型1 |
| T1920240132-009 | H24BPR-TGH-M32-EMC-C | H24BPR HOOD, DIAGONAL LOCKING, TOP ENTRY M32, POWDER COATED, BLACK H24BPR对角锁定顶入壳M32 黑色 | - | - | - | - | - | - | - | - | M32 | TYPE 1 类型1 |
| T1920240129-009 | H24BPR-TGH-PG29-EMC-C | H24BPR HOOD, DIAGONAL LOCKING, TOP ENTRY PG29, POWDER COATED, BLACK H24BPR对角锁定顶入壳PG29 黑色 | - | - | - | - | - | - | - | - | PG29 | TYPE 1 类型1 |
| T1920240125-009 | H24BPR-TGH-M25-EMC-C | H24BPR HOOD, DIAGONAL LOCKING, TOP ENTRY M25, POWDER COATED, BLACK H24BPR对角锁定顶入壳M25 黑色 | - | - | - | - | - | - | - | - | M25 | TYPE 1 类型1 |
| T1920240121-009 | H24BPR-TGH-PG21-EMC-C | H24BPR HOOD, DIAGONAL LOCKING, TOP ENTRY PG21, POWDER COATED, BLACK H24BPR对角锁定顶入壳PG21 黑色 | - | - | - | - | - | - | - | - | PG21 | TYPE 1 类型1 |

THIS DRAWING IS A CONTROLLED DOCUMENT.

DAVID WANG 2/AUG2016
CHRIS WANG 2/AUG2016
XU LANG YU 2/AUG2016

NAME: H24BPR-TGH-PG/M-EMC-C

PRODUCT SPEC: 108-137191
APPLICATION SPEC: 114-137191

SCALE: 1:1 SHEET 1 OF 1

RESTRICTED TO: -

CUSTOMER DRAWING