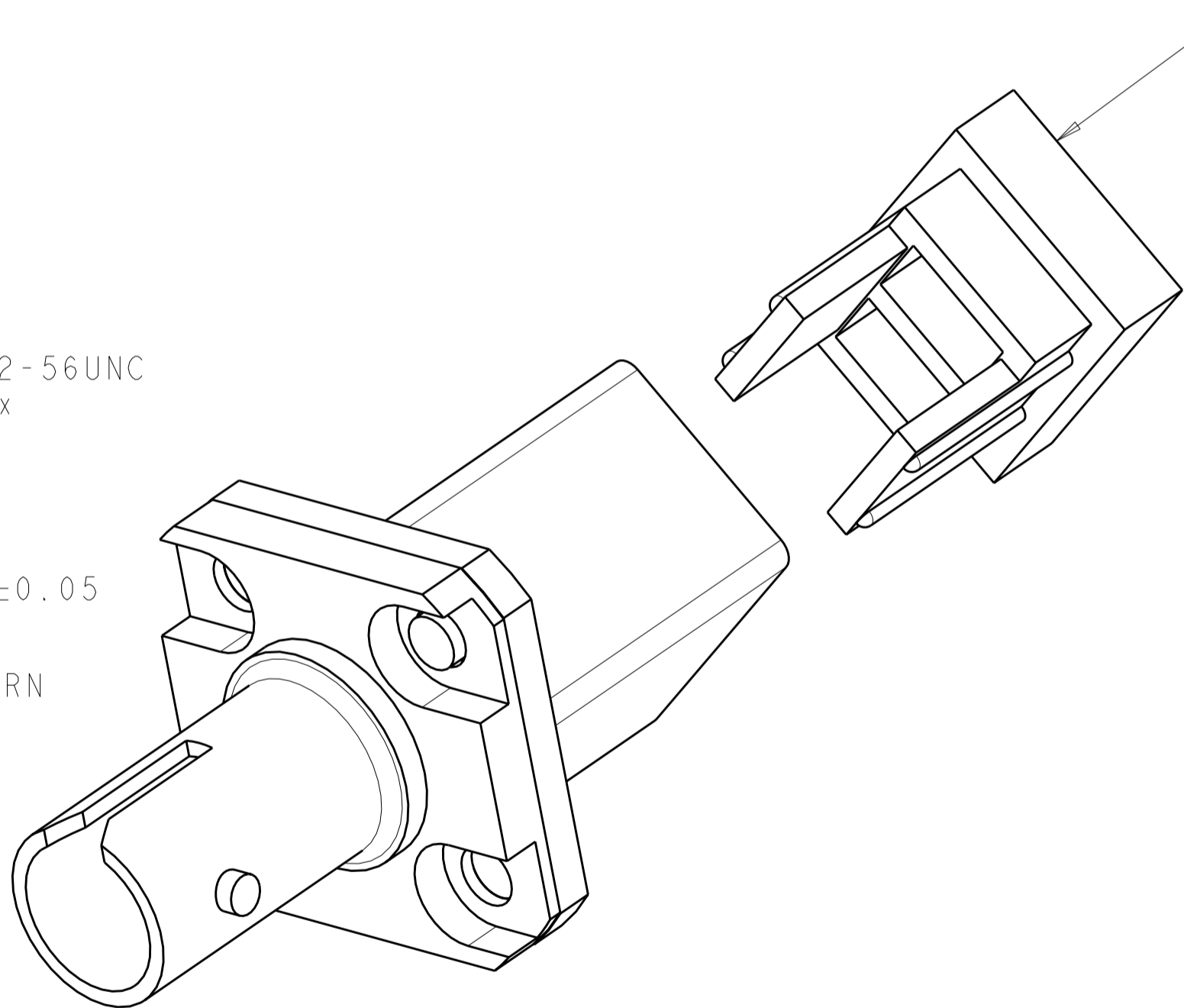
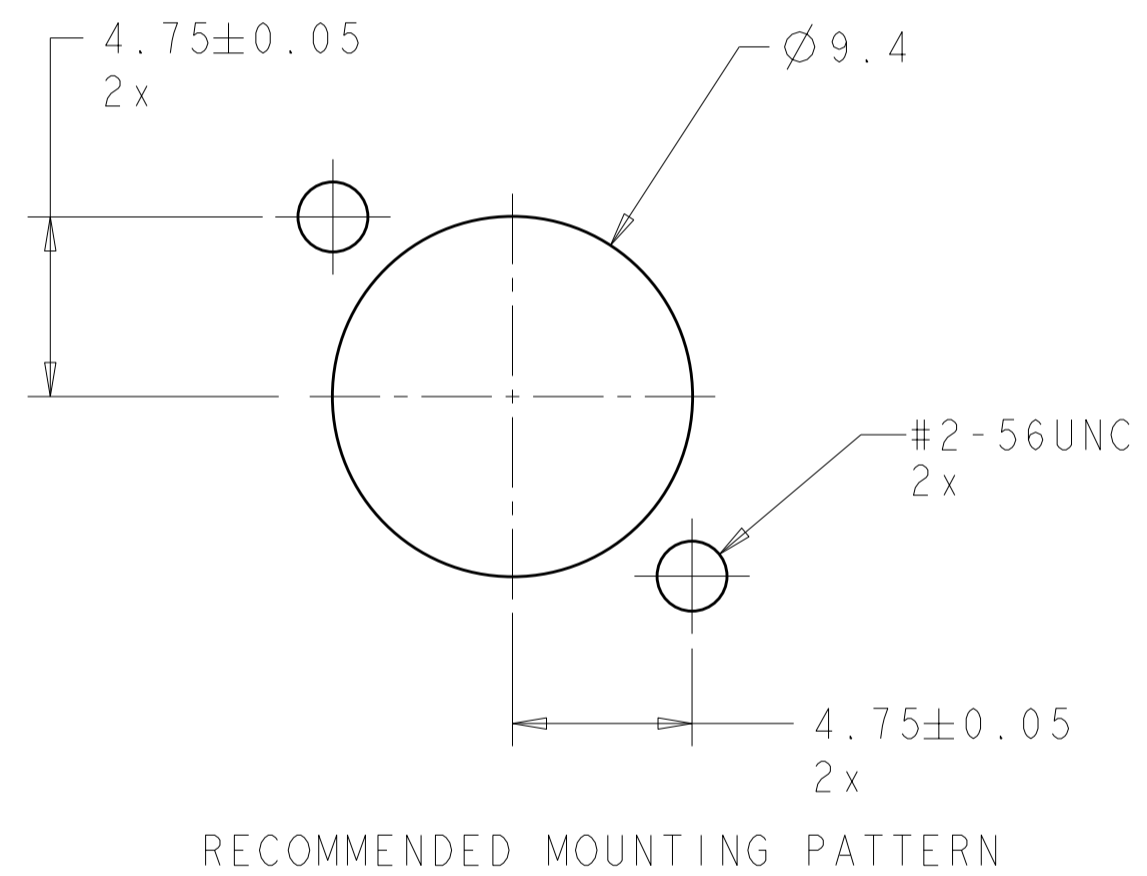
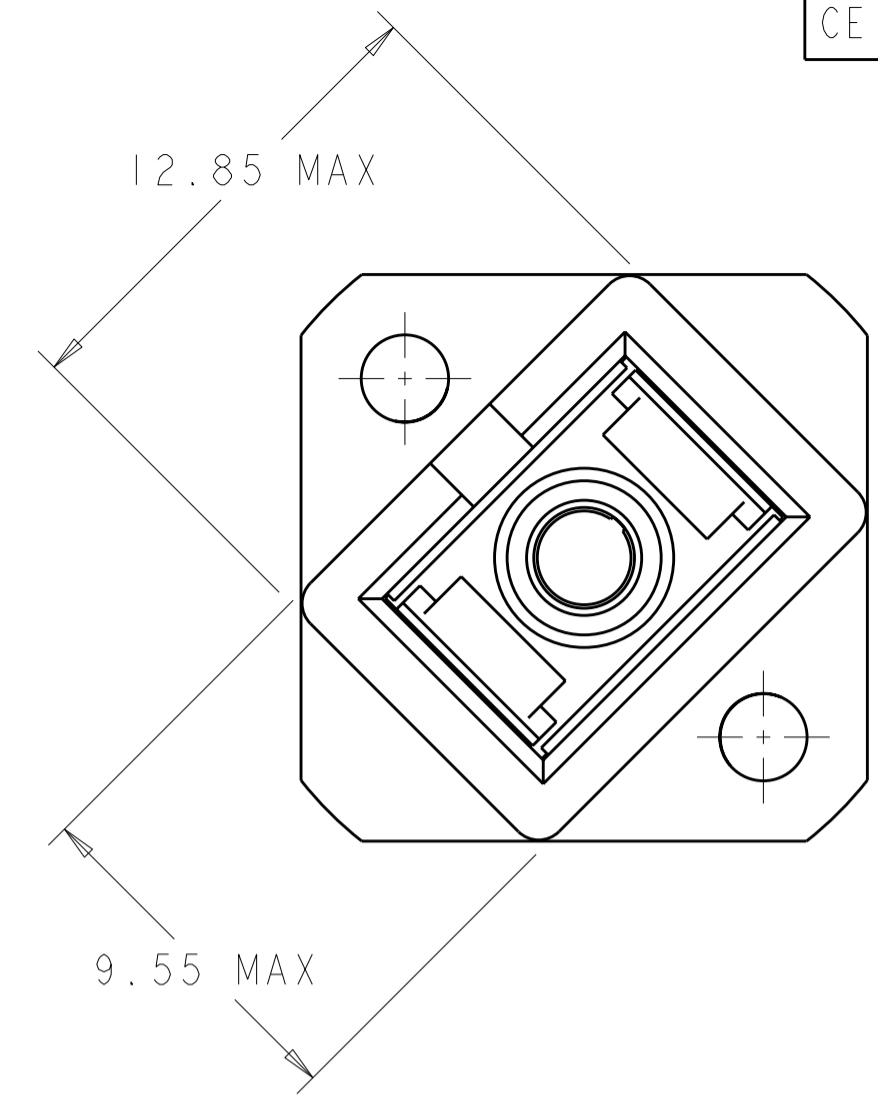
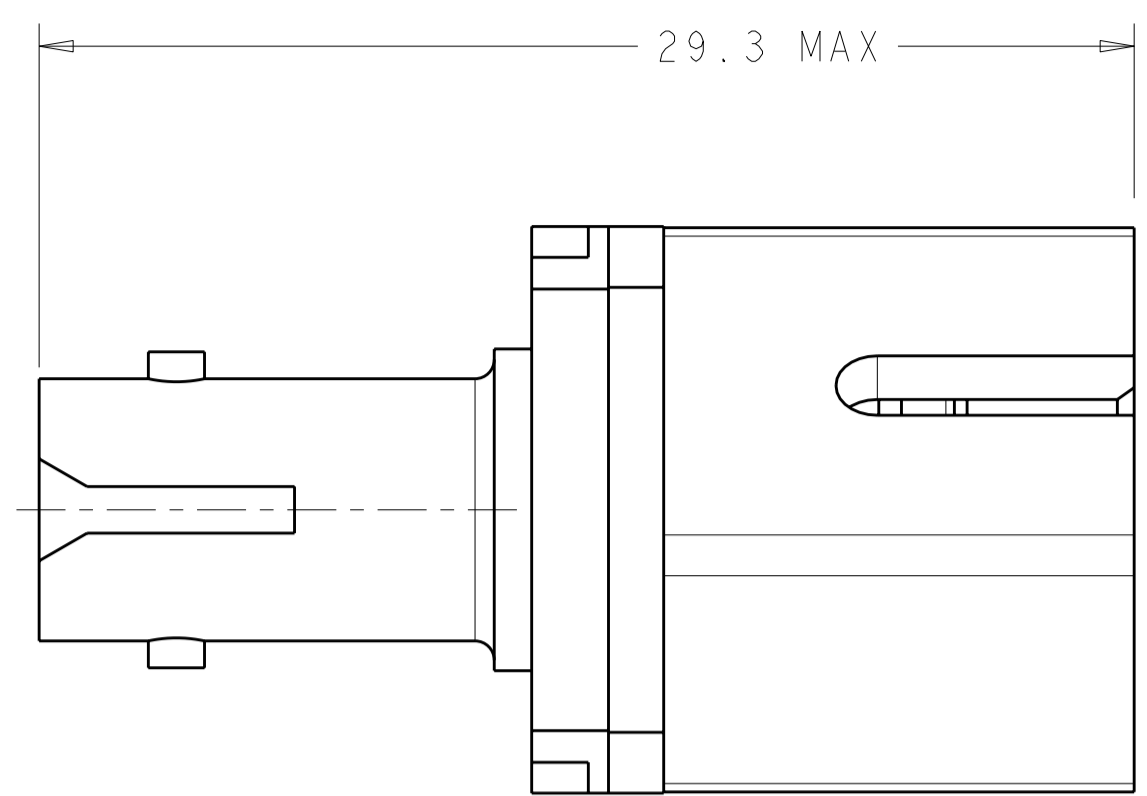
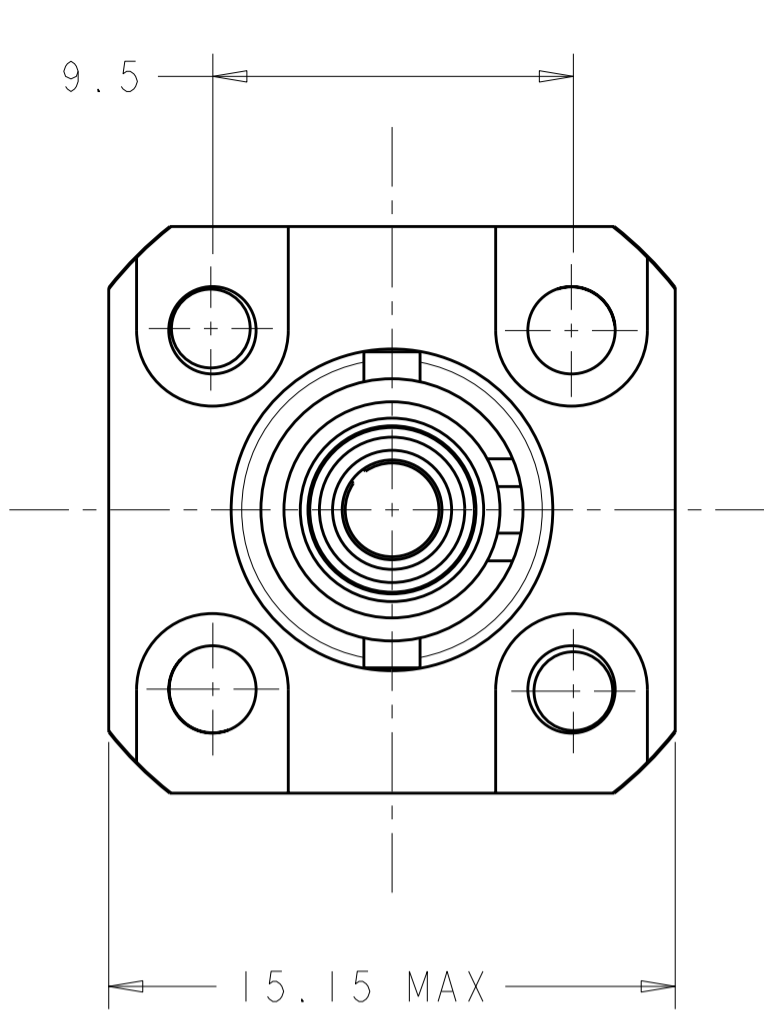


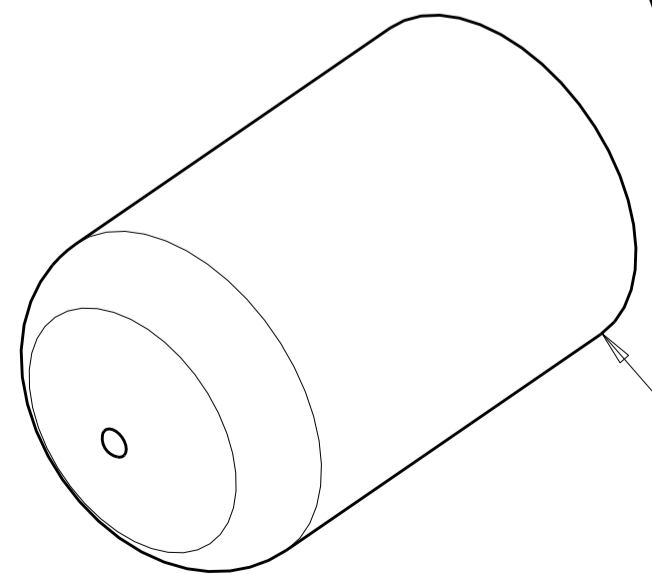
THIS DRAWING IS UNPUBLISHED. RELEASED FOR PUBLICATION 20
 © COPYRIGHT 20 BY TYCO ELECTRONICS CORPORATION. ALL RIGHTS RESERVED.

| LOC | DIST | REVISIONS | | | | | |
|-----|------|-----------|-----|--------------------------|-----------|-----|------|
| CE | 00 | P | LTR | DESCRIPTION | DATE | DWN | APVD |
| | | A | | RELEASE TO ACTIVE | 07JUN2006 | BB | SM |
| | | B | | REVISE PER ECR-07-013451 | 26JUN2007 | BB | SM |



PROTECTIVE COVER

△ MATERIAL:
 BODY: ZINC DIECAST, NICKEL PLATED
 SLEEVE: SEE DASH NUMBERS
 PROTECTIVE CAP: VINYL
 PROTECTIVE COVER: TPE, COLOR: BLACK*
 RETAINER: PEI-GF30, COLOR: BLACK*
 *UL94 V-0 RATED AT QUALIFYING THICKNESS.



PROTECTIVE CAP

| | |
|------------------|-------------|
| CERAMIC | 5503638-2 |
| METAL | 5503638-1 |
| ALIGNMENT SLEEVE | PART NUMBER |

| | | | |
|---|--|--|---|
| THIS DRAWING IS A CONTROLLED DOCUMENT FOR TYCO ELECTRONICS CORPORATION. IT IS SUBJECT TO CHANGE AND THE CONTROLLING ENGINEERING ORGANIZATION SHOULD BE CONTACTED FOR THE LATEST REVISION. | | DWN B. BRIGGS 06JUN2005 | Tyco Electronics Harrisburg, PA 17105-3608 |
| DIMENSIONS: mm | | CHK S. MILLER 06JUN2005 | |
| TOLERANCES UNLESS OTHERWISE SPECIFIED: 0 PLC ± 1 PLC ±0.1 2 PLC ±0.13 3 PLC ± 4 PLC ± ANGLES ± FINISH | | APVD S. BUCHTER 06JUN2005 | |
| MATERIAL | | PRODUCT SPEC APPLICATION SPEC WEIGHT | |
| CUSTOMER DRAWING | | SCALE 5:1 | RESTRICTED TO |
| | | NAME ASSEMBLY, COUPLING BUSHING, 2.5mm BAYONET TO AMP SC | SIZE A2 |
| | | CAGE CODE 00779 | DRAWING NO 5503638 |
| | | SHEET 1 OF 1 | REV B |