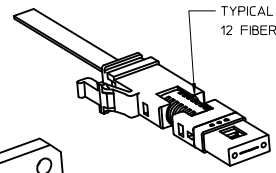
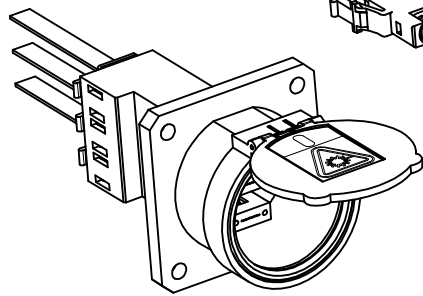


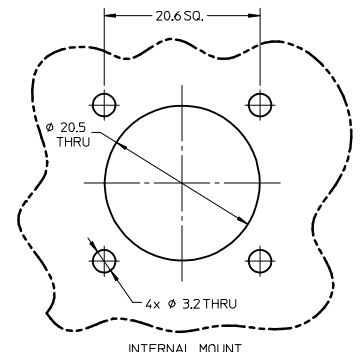
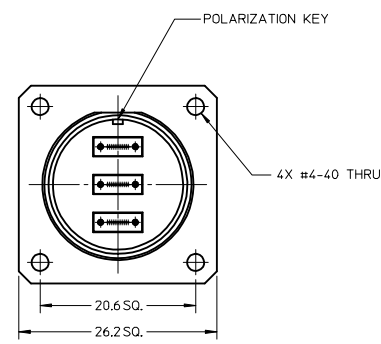
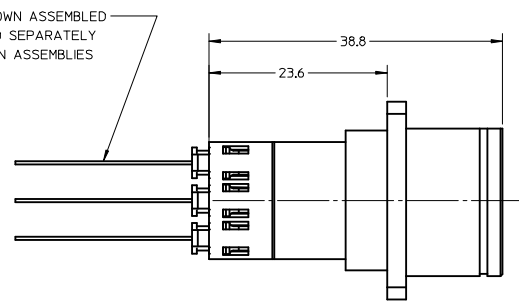
ADAPTER P/N
1060776050



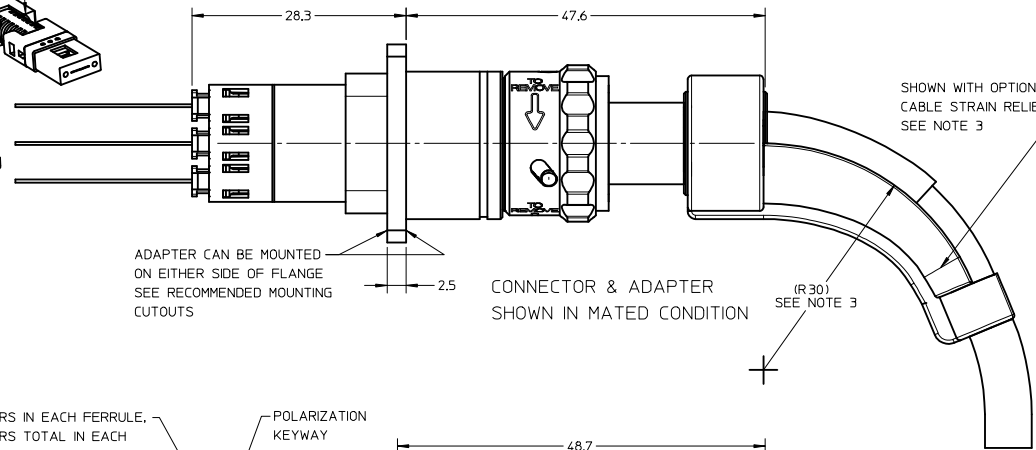
TYPICAL 1X3 MT CLIP WITH
12 FIBER RIBBON SHOWN



ADAPTER SHOWN WITH OPTIONAL
DUST/LASER PROTECTION SHUTTER
(P/N 1060776061)
SEE NOTE 5



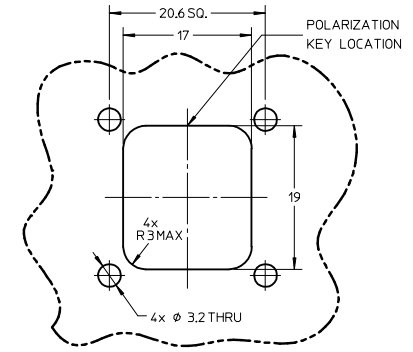
INTERNAL MOUNT



ADAPTER CAN BE MOUNTED
ON EITHER SIDE OF FLANGE
SEE RECOMMENDED MOUNTING
CUTOUTS

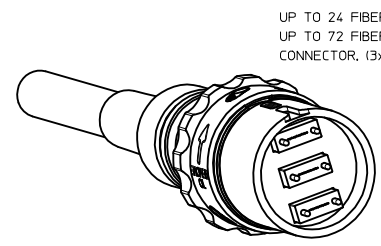
CONNECTOR & ADAPTER
SHOWN IN MATED CONDITION

SHOWN WITH OPTIONAL
CABLE STRAIN RELIEF
SEE NOTE 3

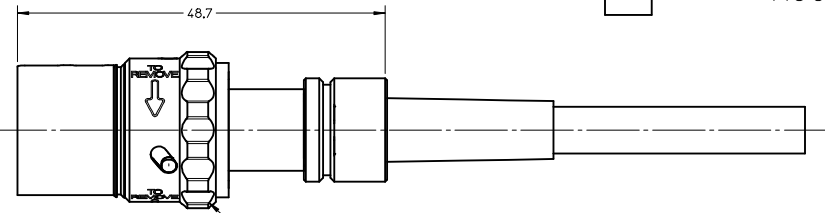
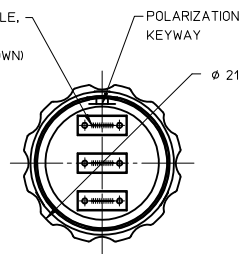


EXTERNAL MOUNT

RECOMMENDED
MOUNTING CUTOUTS



UP TO 24 FIBERS IN EACH FERRULE.
UP TO 72 FIBERS TOTAL IN EACH
CONNECTOR. (13x12F=36FIBERS SHOWN)



QUICK CONNECT & RELEASE COLLAR SYSTEM
SEE NOTE 4

NOTES:

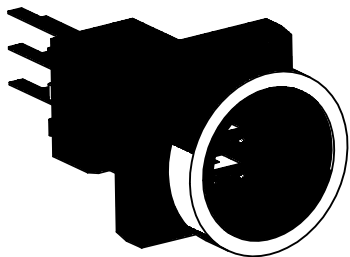
- ASSEMBLIES CAN BE MADE WITH UP TO 72 FIBERS.
SEE DRAWINGS SD-86275-1000 & SD-86275-1001 FOR TYPICAL ASSEMBLIES.
- CABLE DIAMETER (φ) IS DEPENDENT ON THE NUMBER OF FIBERS IN CABLE BUNDLE.
MINIMUM φ - 5mm.
MAXIMUM φ - 8.5mm.
- CABLE BEND RADIUS IS DEPENDENT ON CABLE DIAMETER(φ), DIMENSION
SHOWN IS FOR φ6.35mm CABLE. SNAP ON STRAIN RELIEFS ARE AVAILABLE FOR
SELECTED SIZES.
- TO ENGAGE CONNECTOR INTO ADAPTER: ALIGN KEYS & PUSH CONNECTOR INTO ADAPTER.
TO DISENGAGE: TURN COLLAR IN DIRECTION SHOWN & PULL CONNECTOR OUT OF ADAPTER.
- SHUTTER SNAPS ON AND IS ALIGNED BY A FLAT FEATURE ON THE ADAPTER.
SHUTTER IS ALSO REMOVABLE.

ENTER DESCRIPTION	QUALITY SYMBOLS
EC NO: MF2007-0731	▽=0
DRWNGSZ: LAGY1 2007/06/12	▽=0
CHKD: 2007/06/12	
APPR: SM160 2007/06/12	
REV	
1	

GENERAL TOLERANCES (UNLESS SPECIFIED)
4 PLACES ± --- ± ---
3 PLACES ± --- ± ---
2 PLACES ± 0.1 ± ---
1 PLACE ± 0.1 ± ---
ANGULAR ± 1/2°
DRAFT WHERE APPLICABLE MUST REMAIN WITHIN DIMENSIONS

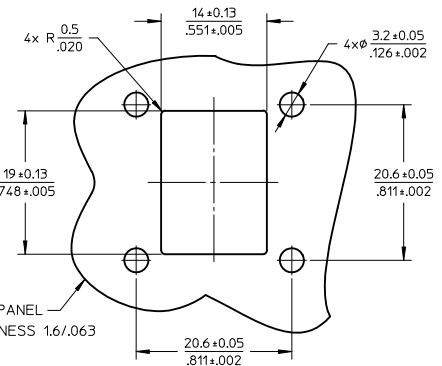
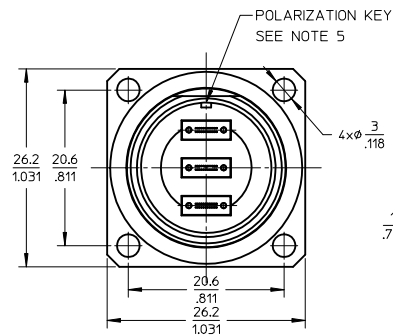
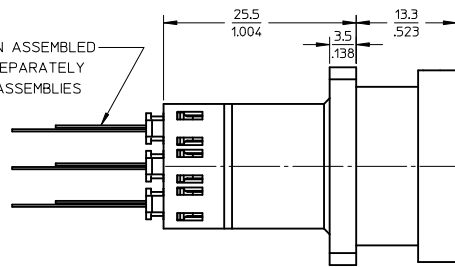
DIMENSION STYLE	SCALE	DESIGN UNITS	THIRD ANGLE PROJECTION
MM ONLY	2:1	METRIC	
DRAWN BY	DATE	TITLE	
CHECKED BY	DATE		
APPROVED BY	DATE		
MATERIAL NO.	DOCUMENT NO.	SHEET NO.	
1062750000	SD-106275-0000	1 OF 1	
THIS DRAWING CONTAINS INFORMATION THAT IS PROPRIETARY TO MOLEX INCORPORATED AND SHOULD NOT BE USED WITHOUT WRITTEN PERMISSION			

1X3 CIRCULAR MT CONNECTOR & ADAPTER SYSTEM DRAWING			
MOLEX INCORPORATED			



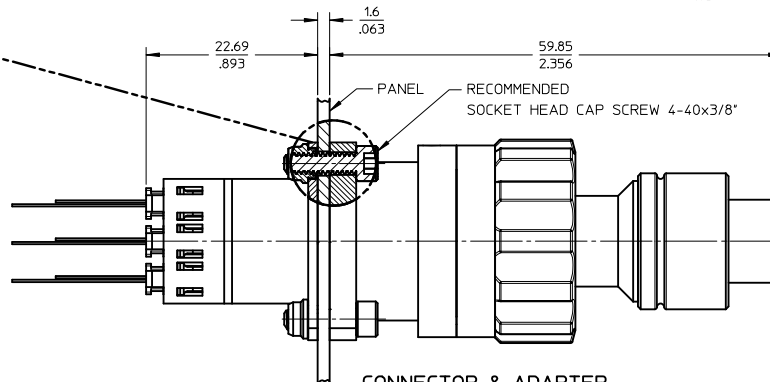
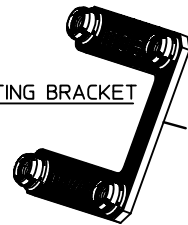
**1x3 CIRCULAR BREAK-AWAY
ADAPTER P/N 1060776510**

1X3 CIRC MT CLIPS SHOWN ASSEMBLED
CLIPS ARE PURCHASED SEPARATELY
AS TERMINATED RIBBON ASSEMBLIES

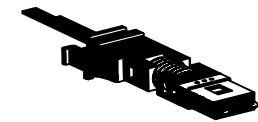


RECOMMENDED MOUNTING PATTERN

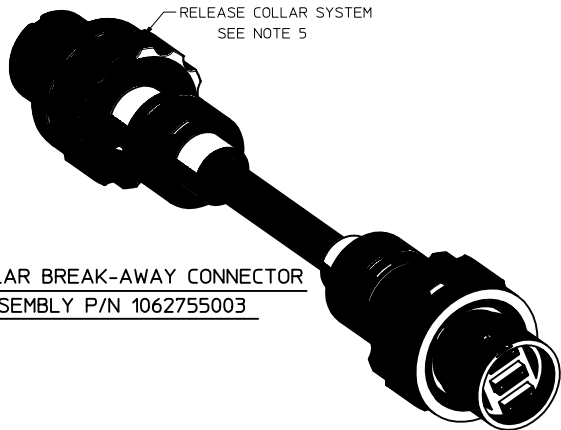
**OPTIONAL MOUNTING BRACKET
(#4-40 THREAD)
P/N 1060776504**



**CONNECTOR & ADAPTER
SHOWN IN MATED CONDITION**

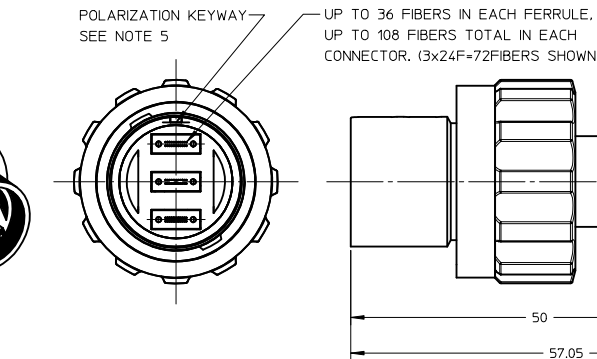


TYPICAL 1X3 MT CLIP WITH
24 FIBER RIBBON SHOWN



**1x3 CIRCULAR BREAK-AWAY CONNECTOR
CABLE ASSEMBLY P/N 1062755003**

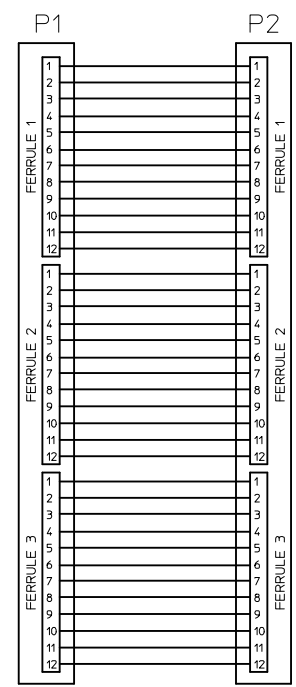
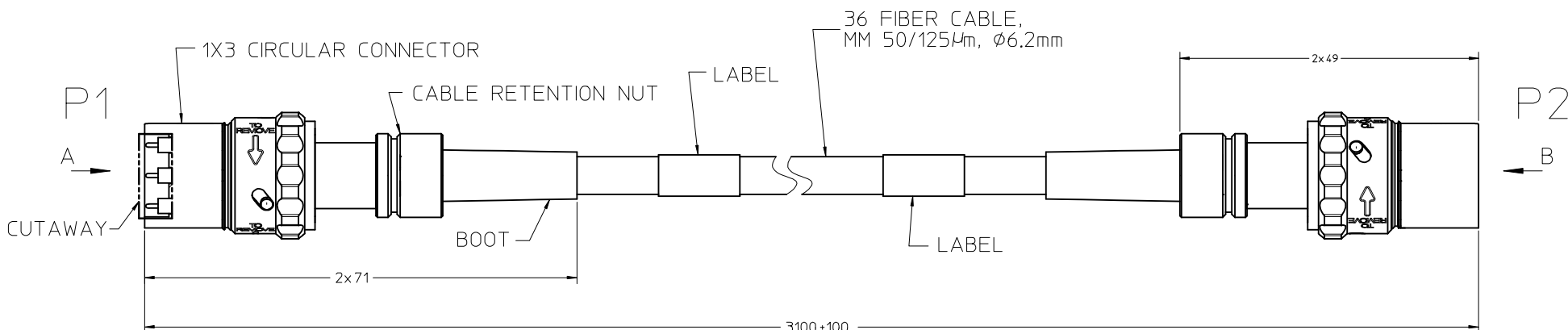
RELEASE COLLAR SYSTEM
SEE NOTE 5



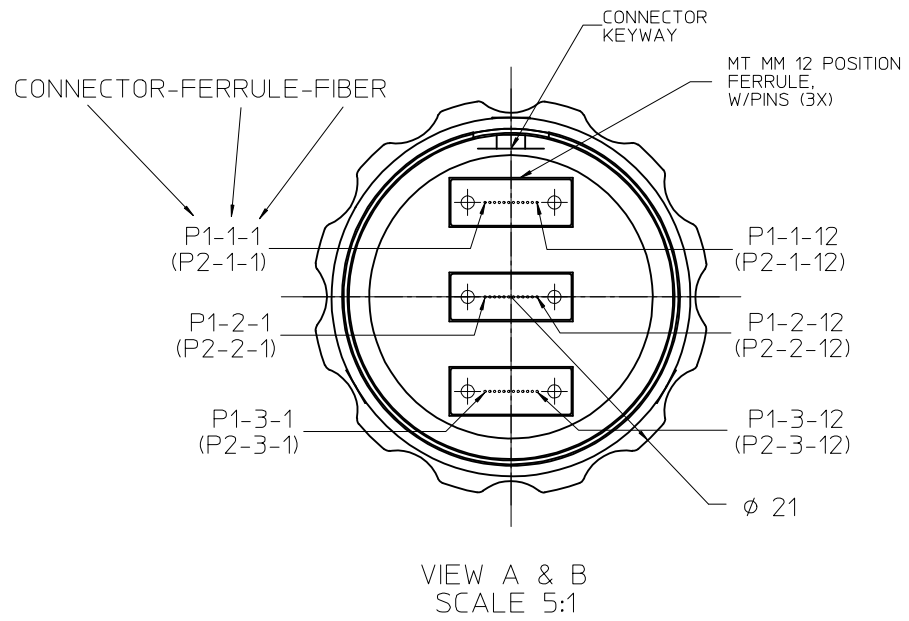
NOTES:

- DIMENSIONS/FEATURES ARE PROVIDED FOR REFERENCE ONLY AND MAY BE CHANGED WITHOUT NOTIFICATION.
- ASSEMBLIES CAN BE MADE WITH UP TO 108 FIBERS.
SEE DRAWINGS: CABLE ASSEMBLY SD-106275-5003 & ADAPTER SD-106077-6510 FOR TYPICAL ASSEMBLIES.
CONNECTOR COMPONENTS NOT AVAILABLE SEPARATELY (ONLY AS A CABLE ASSEMBLY).
- CABLE DIAMETER (Ø) IS DEPENDENT ON THE NUMBER OF FIBERS IN CABLE BUNDLE.
MINIMUM Ø - 5mm.
MAXIMUM Ø - 10mm.
- CABLE BEND RADIUS IS DEPENDENT ON CABLE DIAMETER(Ø). DIMENSION SHOWN IS FOR Ø7mm CABLE.
- TO ENGAGE CONNECTOR INTO ADAPTER: ALIGN ADAPTER KEY WITH CONNECTOR KEYWAY & PUSH CONNECTOR INTO ADAPTER.
TO DISENGAGE: TURN COLLAR IN DIRECTION SHOWN & PULL CONNECTOR OUT OF ADAPTER.

ENTER DESCRIPTION EC NO: MF2011-0362 DRAWN: YBELENKIY 2011/03/09 CHKD: APPR: WCHEN 2011/05/11 REV: A	QUALITY SYMBOLS ▽=0 ▽=0	GENERAL TOLERANCES (UNLESS SPECIFIED)		DIMENSION STYLE MM/IN	SCALE 2:1	DESIGN UNITS INCH	THIRD ANGLE PROJECTION		
		4 PLACES ± --- ± --- 3 PLACES ± --- ± --- 2 PLACES ± --- ± --- 1 PLACE ± --- ± ---	mm INCH	DRAWN BY YBELENKIY	DATE 2011/03/09	TITLE 1X3 CIRCULAR BREAK-AWAY CONNECTOR & ADAPTER SYSTEM DRAWING			
		DRAFT WHERE APPLICABLE MUST REMAIN WITHIN DIMENSIONS		CHECKED BY WCHEN	DATE 2011/05/11	MOLEX INCORPORATED			
				APPROVED BY WCHEN	MATERIAL NO.	DOCUMENT NO. SD-106275-001	SHEET NO. 1 OF 1		

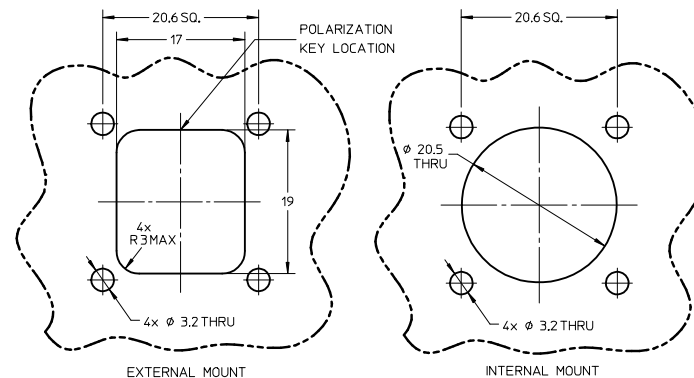
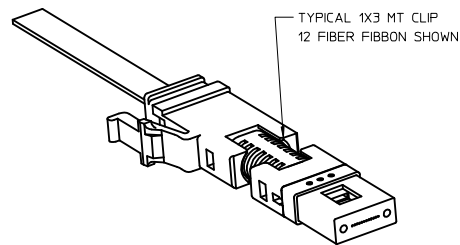
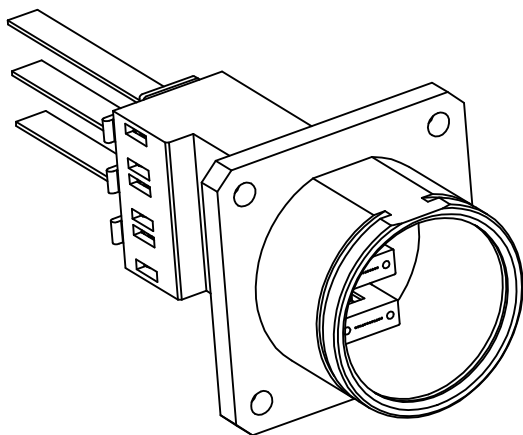


CONNECTIVITY DIAGRAM



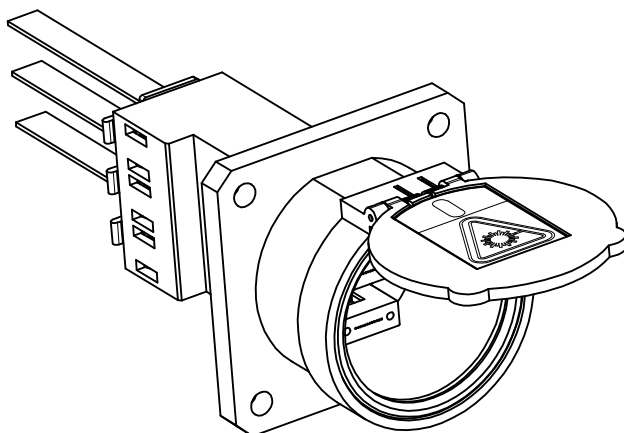
- NOTES:
1. THIS IS A TYPICAL CABLE ASSEMBLY DRAWING AND IS FOR REFERENCE ONLY. DRAWINGS ARE GENERATED TO MEET CUSTOMER'S SPECIFIC REQUIREMENTS.
 2. UNLESS SPECIFIED OTHERWISE DIMENSIONS ARE FOR REFERENCE ONLY.
 3. DUST CAPS ARE NOT SHOWN.
 4. OPTIONAL STRAIN RELIEFS SOLD SEPARATELY.
 5. COMPONENTS NOT AVAILABLE SEPARATELY. SOLD ONLY AS A CABLE ASSEMBLY.

ENTER DESCRIPTION EC NO: MF2007-0731 DRWNGSZ: LAGYI CHKD: 2007/06/12 APPR: SMI GO 2007/06/12	QUALITY SYMBOLS ▽=0 ▽=0	GENERAL TOLERANCES (UNLESS SPECIFIED)		DIMENSION STYLE MM ONLY	SCALE 4:1	DESIGN UNITS METRIC	THIRD ANGLE PROJECTION
		4 PLACES ± --- ± --- 3 PLACES ± --- ± --- 2 PLACES ± 0.1 ± --- 1 PLACE ± 0.1 ± ---	mm INCH	DRAWN BY DATE	TITLE CONNECTOR CABLE ASSY, 1X3 CIRCULAR MT, (36 FIBER 50/125 MM)		
		ANGULAR ± 1/2°	DRAFT WHERE APPLICABLE MUST REMAIN WITHIN DIMENSIONS	CHECKED BY DATE	molex MOLEX INCORPORATED		
		MATERIAL NO. 1062751000	DOCUMENT NO. SD-106275-1000	APPROVED BY DATE	SHEET NO. 1 OF 1		
1		SIZE C		THIS DRAWING CONTAINS INFORMATION THAT IS PROPRIETARY TO MOLEX INCORPORATED AND SHOULD NOT BE USED WITHOUT WRITTEN PERMISSION			

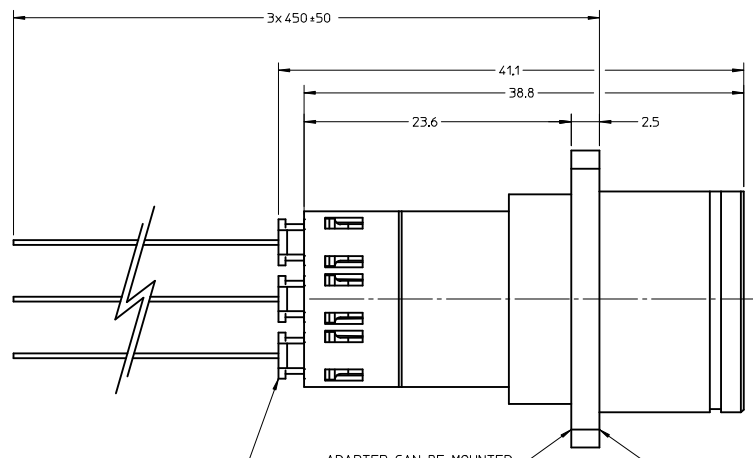


RECOMMENDED
MOUNTING CUTOUTS

SCALE 2:1

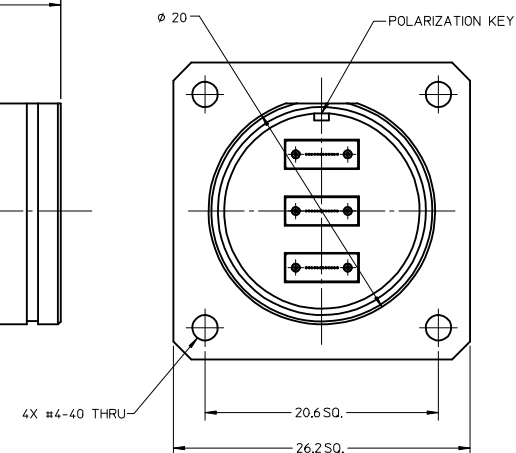


ADAPTER SHOWN WITH OPTIONAL
DUST/LASER PROTECTION SHUTTER
(P/N 1060776061)
SEE NOTE 3



1X3 CIRC MT CLIPS SHOWN ASSEMBLED
CLIPS ARE PURCHASED SEPARATELY
AS TERMINATED RIBBON ASSEMBLIES

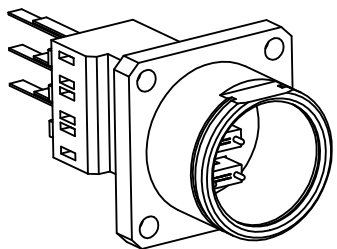
ADAPTER CAN BE MOUNTED
ON EITHER SIDE OF FLANGE
SEE RECOMMENDED MOUNTING
CUTOUTS



NOTES:

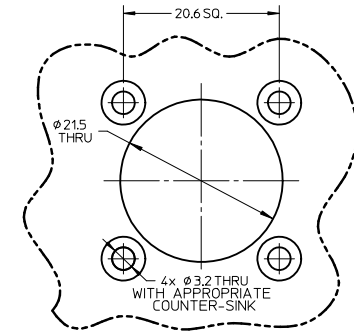
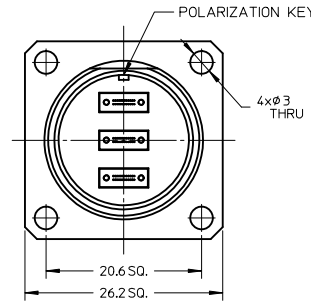
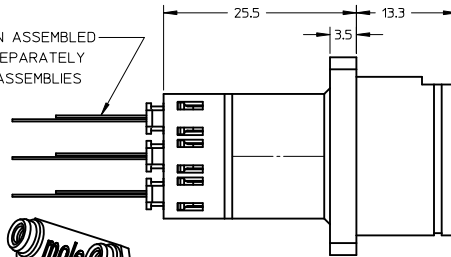
1. THIS IS A TYPICAL ADAPTER ASSEMBLY DRAWING AND IS FOR REFERENCE ONLY. DRAWINGS ARE GENERATED TO MEET CUSTOMER'S SPECIFIC REQUIREMENTS. ADAPTERS AND TERMINATED 1X3 MT CLIPS ARE SOLD INDIVIDUALLY.
2. DIMENSION ARE FOR REFERENCE ONLY.
3. OPTIONAL SHUTTER SNAPS ON AND IS ALIGNED BY A FLAT FEATURE ON THE ADAPTER. SHUTTER IS ALSO REMOVABLE. SHUTTERS ARE SOLD SEPERATELY.

ENTER DESCRIPTION EC NO: MF2007-0731 DRWNGSZ: LAGYI 2007/06/12 CHKD: 2007/06/12 APPR: SM160 2007/06/12 REV 1	QUALITY SYMBOLS = 0 = 0	GENERAL TOLERANCES (UNLESS SPECIFIED)		DIMENSION STYLE MM ONLY		SCALE 3:1	DESIGN UNITS METRIC	THIRD ANGLE PROJECTION
		4 PLACES ± --- ± --- 3 PLACES ± --- ± --- 2 PLACES ± 0.1 ± --- 1 PLACE ± 0.1 ± --- ANGULAR ± 1/2°	mm INCH	DRAWN BY _____ DATE _____ CHECKED BY _____ DATE _____ APPROVED BY _____ DATE _____	TITLE ADAPTER, 1X3 CIRCULAR MT 50/125MM 36 FIBER REFERENCE DRAWING	MOLEX INCORPORATED	SHEET NO. 1 OF 1	
DRAFT WHERE APPLICABLE MUST REMAIN WITHIN DIMENSIONS		MATERIAL NO. 1062751001	DOCUMENT NO. SD-106275-1001	THIS DRAWING CONTAINS INFORMATION THAT IS PROPRIETARY TO MOLEX INCORPORATED AND SHOULD NOT BE USED WITHOUT WRITTEN PERMISSION				

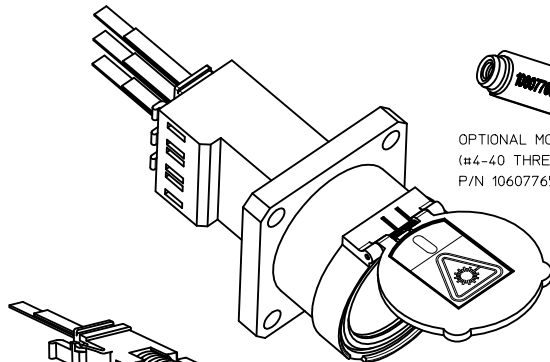


ADAPTER P/N
1060776501

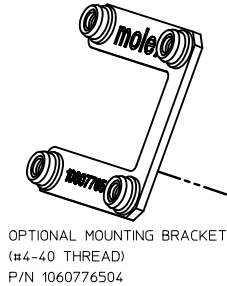
1X3 CIRC MT CLIPS SHOWN ASSEMBLED
CLIPS ARE PURCHASED SEPARATELY
AS TERMINATED RIBBON ASSEMBLIES



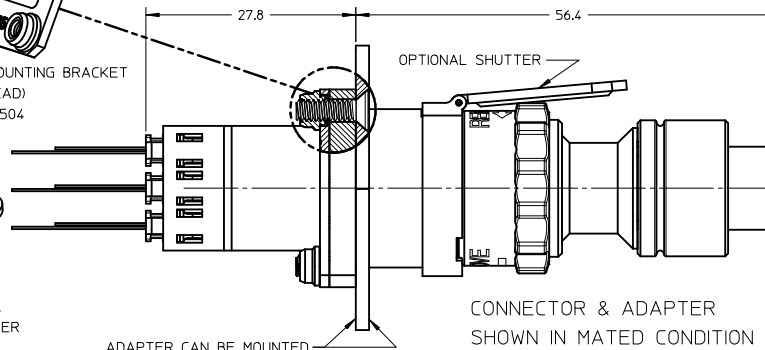
RECOMMENDED INTERNAL
MOUNTING CUTOUT



ADAPTER SHOWN WITH OPTIONAL
DUST/LASER PROTECTION SHUTTER
P/N 1060776503

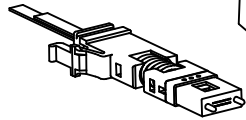


OPTIONAL MOUNTING BRACKET
(M4-40 THREAD)
P/N 1060776504

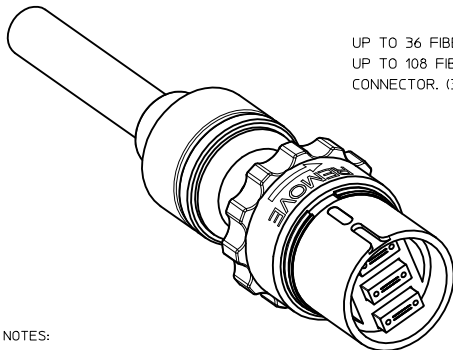


CONNECTOR & ADAPTER
SHOWN IN MATED CONDITION

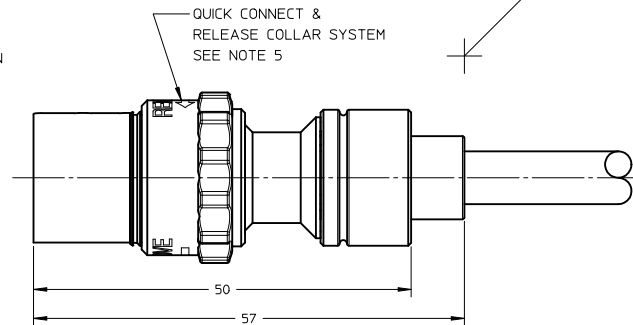
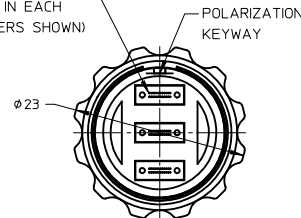
ADAPTER CAN BE MOUNTED
ON EITHER SIDE OF FLANGE
INTERNAL MOUNTING RECOMMENDED
SEE CUTOUT DETAIL



TYPICAL 1X3 MT CLIP WITH
24 FIBER RIBBON SHOWN



UP TO 36 FIBERS IN EACH FERRULE.
UP TO 108 FIBERS TOTAL IN EACH
CONNECTOR. (3x24F=72FIBERS SHOWN)



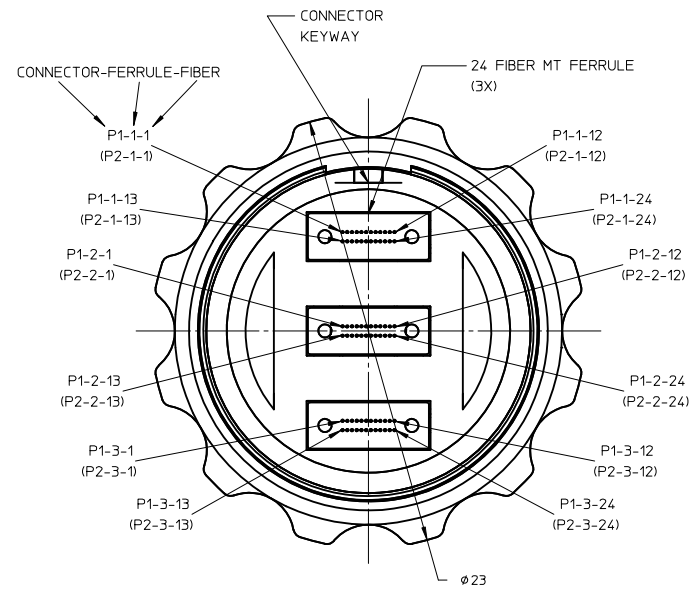
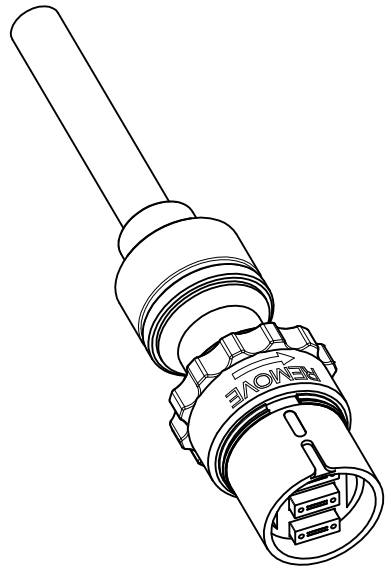
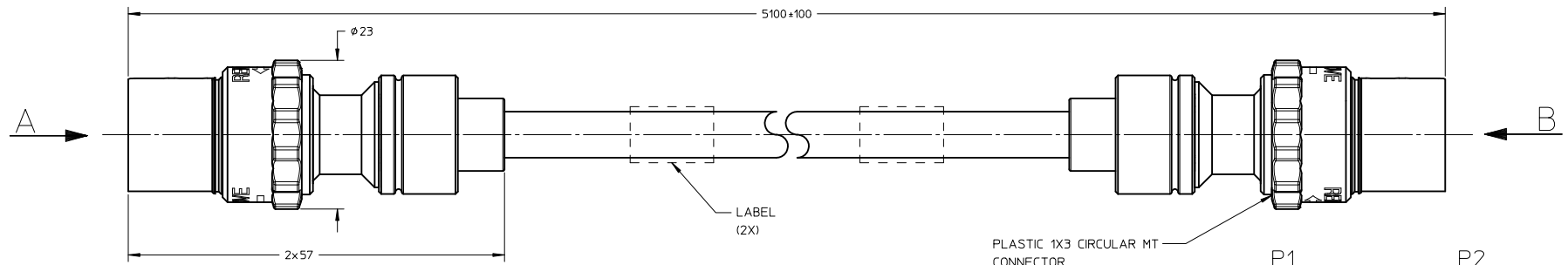
QUICK CONNECT &
RELEASE COLLAR SYSTEM
SEE NOTE 5

(R38.1)
SEE NOTE 4

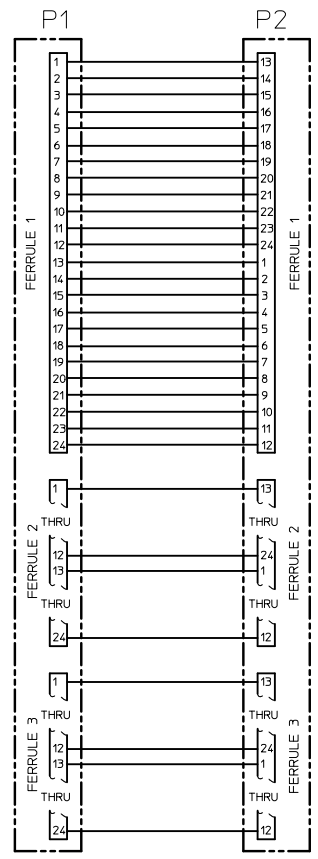
NOTES:

- DIMENSIONS/FEATURES ARE PROVIDED FOR REFERENCE ONLY AND MAY BE CHANGED WITHOUT NOTIFICATION.
- ASSEMBLIES CAN BE MADE WITH UP TO 108 FIBERS.
SEE DRAWINGS SD-106275-5001 & SD-106275-5002 FOR TYPICAL ASSEMBLIES.
- CABLE DIAMETER (Ø) IS DEPENDENT ON THE NUMBER OF FIBERS IN CABLE BUNDLE.
MINIMUM Ø - 5mm.
MAXIMUM Ø - 10mm.
- CABLE BEND RADIUS IS DEPENDENT ON CABLE DIAMETER(Ø). DIMENSION SHOWN IS FOR Ø7mm CABLE.
- TO ENGAGE CONNECTOR INTO ADAPTER: ALIGN KEYS & PUSH CONNECTOR INTO ADAPTER.
TO DISENGAGE: TURN COLLAR IN DIRECTION SHOWN & PULL CONNECTOR OUT OF ADAPTER.
- SHUTTER SNAPS ON AND IS ALIGNED BY A FLAT FEATURE ON THE ADAPTER.
SHUTTER IS ALSO REMOVABLE.

ENTER DESCRIPTION EC NO: MF2011-0018 DRWNGSZ: LAGY1 2010/07/06 CHKD: 2010/07/19 APPR: SM1G0 2010/07/21	QUALITY SYMBOLS ▽=0 ▽=0	GENERAL TOLERANCES (UNLESS SPECIFIED)		DIMENSION STYLE MM ONLY	SCALE 2:1	DESIGN UNITS METRIC	THIRD ANGLE PROJECTION
		4 PLACES ± --- ± --- 3 PLACES ± --- ± --- 2 PLACES ± 0.1 ± --- 1 PLACE ± 0.1 ± --- ANGULAR ± 1/2°	mm INCH ± --- ± --- ± 0.1 ± --- ± 0.1 ± ---	DRAWN BY DSZILAGYI	DATE 2010/07/06	TITLE PLASTIC 1X3 CIRCULAR MT CONNECTOR & ADAPTER SYSTEM DRAWING	MATERIAL NO. 1062755000
DRAFT WHERE APPLICABLE MUST REMAIN WITHIN DIMENSIONS		APPROVED BY SM1G0		DATE 2010/07/19	Molex MOLEX INCORPORATED		
THIS DRAWING CONTAINS INFORMATION THAT IS PROPRIETARY TO MOLEX INCORPORATED AND SHOULD NOT BE USED WITHOUT WRITTEN PERMISSION							



VIEW A & B
SCALE 5:1



CONNECTIVITY DIAGRAM

- NOTES:
1. THIS IS A TYPICAL CABLE ASSEMBLY DRAWING AND IS FOR REFERENCE ONLY. DRAWINGS ARE GENERATED TO MEET CUSTOMER'S SPECIFIC REQUIREMENTS.
 2. UNLESS SPECIFIED OTHERWISE DIMENSIONS ARE FOR REFERENCE ONLY.
 3. DUST CAPS ARE NOT SHOWN.
 4. COMPONENTS NOT AVAILABLE SEPARATELY. SOLD ONLY AS A CABLE ASSEMBLY.

ENTER DESCRIPTION EC NO: MF2012-0115 DRWNG/REVZNER 2011/08/30 CHKD: APPR:WCHEN 2011/08/30 REV A	QUALITY SYMBOLS	GENERAL TOLERANCES (UNLESS SPECIFIED)	DIMENSION STYLE MM ONLY	SCALE 2:1	DESIGN UNITS METRIC	THIRD ANGLE PROJECTION																														
	$\nabla=0$ $\nabla=0$	<table border="1"> <tr> <th></th> <th>mm</th> <th>INCH</th> </tr> <tr> <td>4 PLACES</td> <td>± ---</td> <td>± ---</td> </tr> <tr> <td>3 PLACES</td> <td>± ---</td> <td>± ---</td> </tr> <tr> <td>2 PLACES</td> <td>± 0.1</td> <td>± ---</td> </tr> <tr> <td>1 PLACE</td> <td>± 0.1</td> <td>± ---</td> </tr> </table>		mm	INCH	4 PLACES	± ---	± ---	3 PLACES	± ---	± ---	2 PLACES	± 0.1	± ---	1 PLACE	± 0.1	± ---	<table border="1"> <tr> <th>mm</th> <th>INCH</th> </tr> <tr> <td>APPROVED BY</td> <td>DATE</td> </tr> <tr> <td>SM1GO</td> <td>2010/07/19</td> </tr> </table>	mm	INCH	APPROVED BY	DATE	SM1GO	2010/07/19	<table border="1"> <tr> <th>DRAWN BY</th> <th>DATE</th> </tr> <tr> <td>DSZILAGYI</td> <td>2010/07/09</td> </tr> <tr> <th>CHECKED BY</th> <th>DATE</th> </tr> <tr> <td></td> <td></td> </tr> </table>	DRAWN BY	DATE	DSZILAGYI	2010/07/09	CHECKED BY	DATE			TITLE		
		mm	INCH																																	
	4 PLACES	± ---	± ---																																	
3 PLACES	± ---	± ---																																		
2 PLACES	± 0.1	± ---																																		
1 PLACE	± 0.1	± ---																																		
mm	INCH																																			
APPROVED BY	DATE																																			
SM1GO	2010/07/19																																			
DRAWN BY	DATE																																			
DSZILAGYI	2010/07/09																																			
CHECKED BY	DATE																																			
	DRAFT WHERE APPLICABLE MUST REMAIN WITHIN DIMENSIONS	MATERIAL NO. 1062755002	DOCUMENT NO. SD-106275-5002	PLASTIC CONN CABLE ASSY, 1X3 CIRCULAR MT, REFERENCE DRAWING MOLEX INCORPORATED																																
		SIZE C	THIS DRAWING CONTAINS INFORMATION THAT IS PROPRIETARY TO MOLEX INCORPORATED AND SHOULD NOT BE USED WITHOUT WRITTEN PERMISSION			SHEET NO. 1 OF 1																														