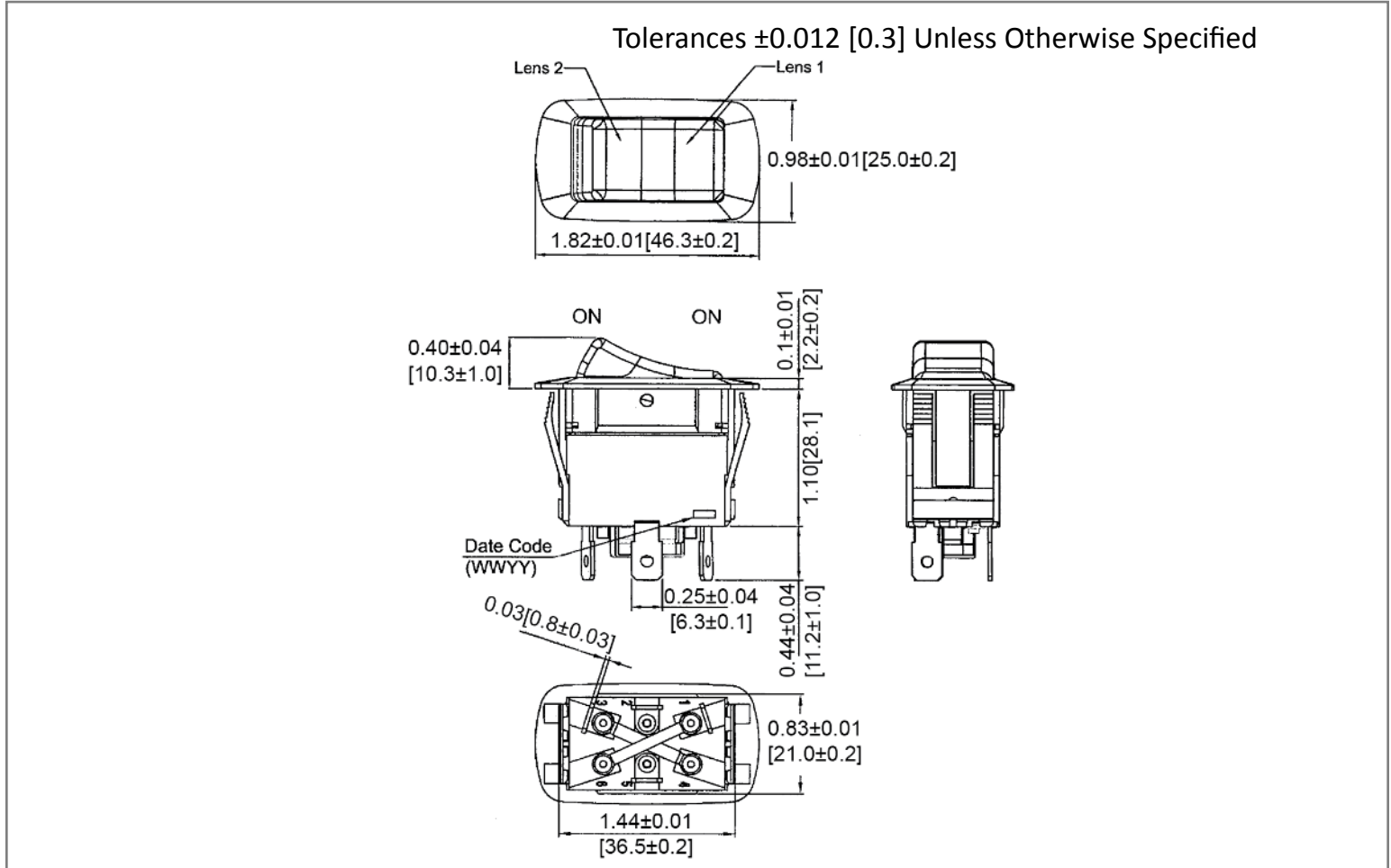
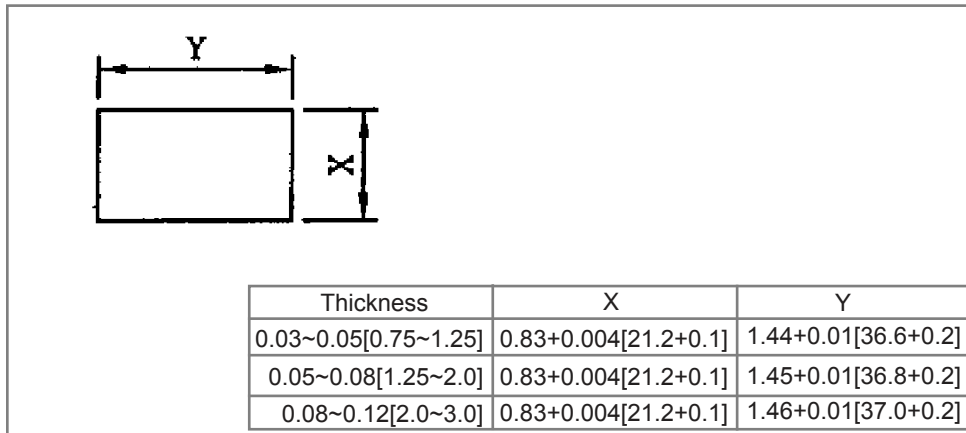


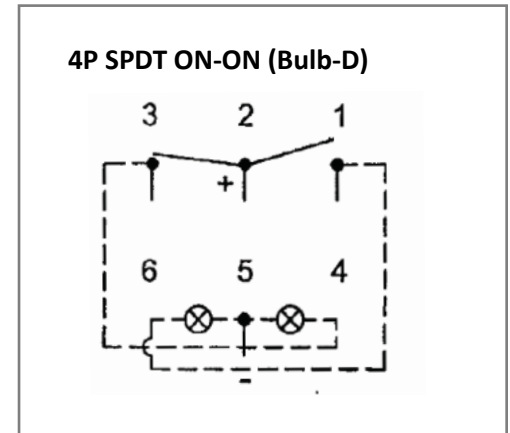
Mechanical Dimensions: Inches [mm]



Mounting Hole



Circuit Diagram



Electrical Specifications

| | | |
|-----------------------|----------------------|--|
| Rating | 21A 14V DC | |
| Contact Resistance | 50m ohm Max | |
| Insulation Resistance | DC 500V 100M ohm Min | |
| Dielectric Strength | AC 1500V 1minute | |
| Operation Temperature | -20°C~85°C | |

Material Specifications

| | |
|----------|------------------------|
| Frame | Black, Nylon #66 |
| Lens 1 | PC, Red |
| Lens 2 | PC, Green |
| Actuator | Black, Nylon 66 +33%GF |
| | IP-56 |

| Rev | Date of issue | Revision Notes | Designed | Approved |
|-----|---------------|-----------------|----------|----------|
| B | 02-26-2020 | Initial Drawing | RC | OF |