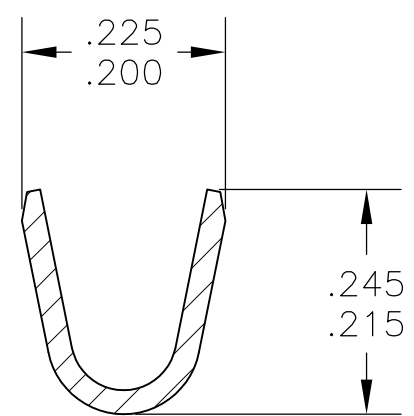
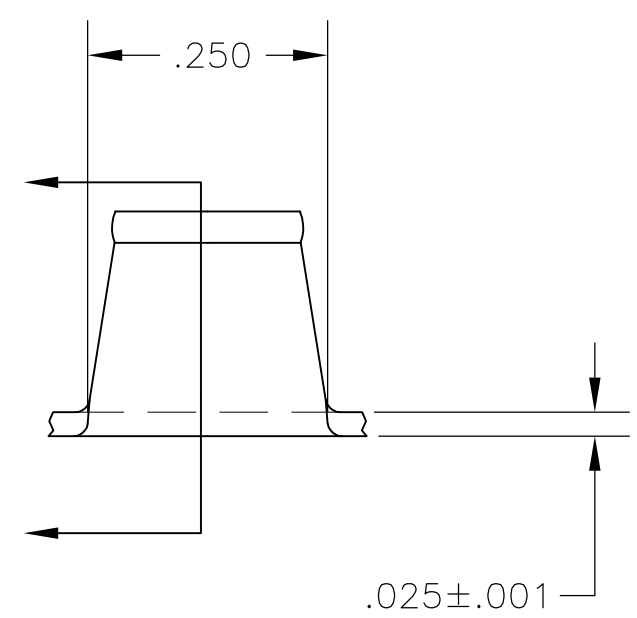
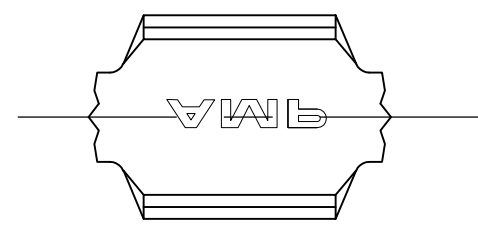


THIS DRAWING IS UNPUBLISHED. RELEASED FOR PUBLICATION
 © COPYRIGHT BY TYCO ELECTRONICS CORPORATION. ALL INTERNATIONAL RIGHTS RESERVED.

LOC	DIST	REVISIONS					
AF	50	P	LTR	DESCRIPTION	DATE	DWN	APVD
			B	REVISED PER ECR-08-028940	02MAR09	HMR	GP

- 1 PRODUCT PROVIDED IN STRIP FORM ON REELS; BREAKS MAY BE PRESENT
- 2 WIRE RANGE FOR NEW APPLICATIONS: 7400-10,000 CMA (WIRE RANGE APPROVED FOR APPLICATIONS IMPLEMENTED PRIOR TO 2005: 4000-10,000 CMA).



41996
PART NO

THIS DRAWING IS A CONTROLLED DOCUMENT.		DWN	jr_ruth	24NOV04	Tyco Electronics Corporation Harrisburg, PA 17105-3608			
DIMENSIONS: INCHES		CHK	G PORTA	24NOV04				NAME
		APVD	G PORTA	24NOV04	SPLICE			
TOLERANCES UNLESS OTHERWISE SPECIFIED: 0 PLC ± - 1 PLC ± - 2 PLC ± - 3 PLC ± .015 4 PLC ± - ANGLES ± 5°		PRODUCT SPEC		APPLICATION SPEC			RESTRICTED TO	
MATERIAL: BRASS		FINISH: TIN		114-2088		SIZE: A3	CAGE CODE: 00779	DRAWING NO: C-41996
CUSTOMER DRAWING				WEIGHT: -	SCALE: 5:1	SHEET: 1 OF 1	REV: B	