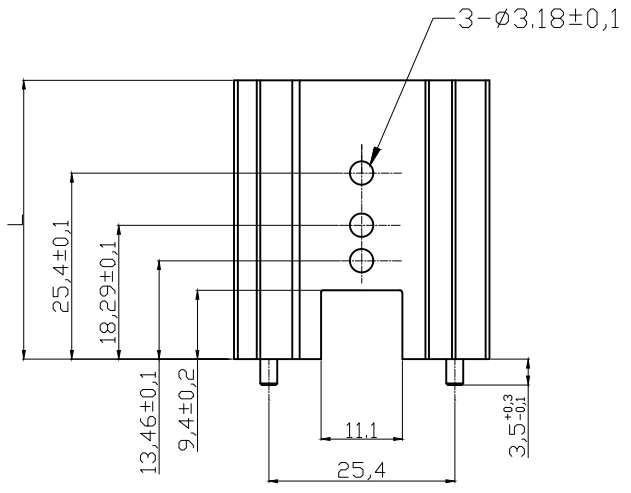
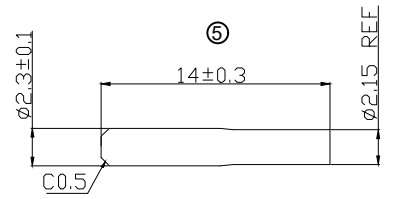


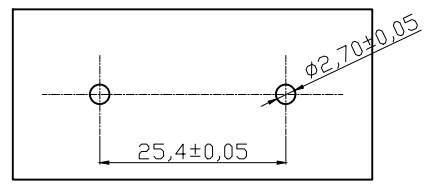
V8511W



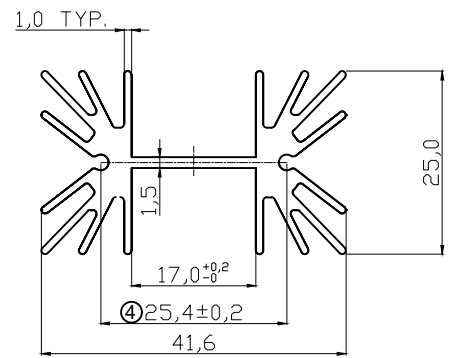
V8511X/Y/Z



Solder Pin with chamfer



④ Recommended PCB Layout



Material :AL 6063-T5
Finished : Black anodize

Option	L	Thermal resistance(K/W)
V8511W	25.4	6.5
V8511X	38.1	5
V8511Y	50.8	4
V8511Z	63.5	3.5

RoHS compliant
Unit: mm

Scale	FREE					Date	Name	Customer-No.
TOLERANCE	⑤	Update the solder pin drawing	27.01.2022	Segal	Drawn	11.08.2009	Dean	ASSMANN WSW-No. V8511x
X.X	±X	④	Add PCB layout information	24.02.2014	Amy	Approved	Segal	
X.X	±X	③	Change production plant	07.06.2013	Amy			
UNIT	±0.2	②	Update	08.03.2010	Dean			Drawing-No.
DIM	Tol	①	Drawn	11.08.2009	Dean			ASS 0868 HS
X.°	±X°	Id.	Modification	Date	Name			rev05
X.X°	±X°							Replace
Angle	TOL							

