

4

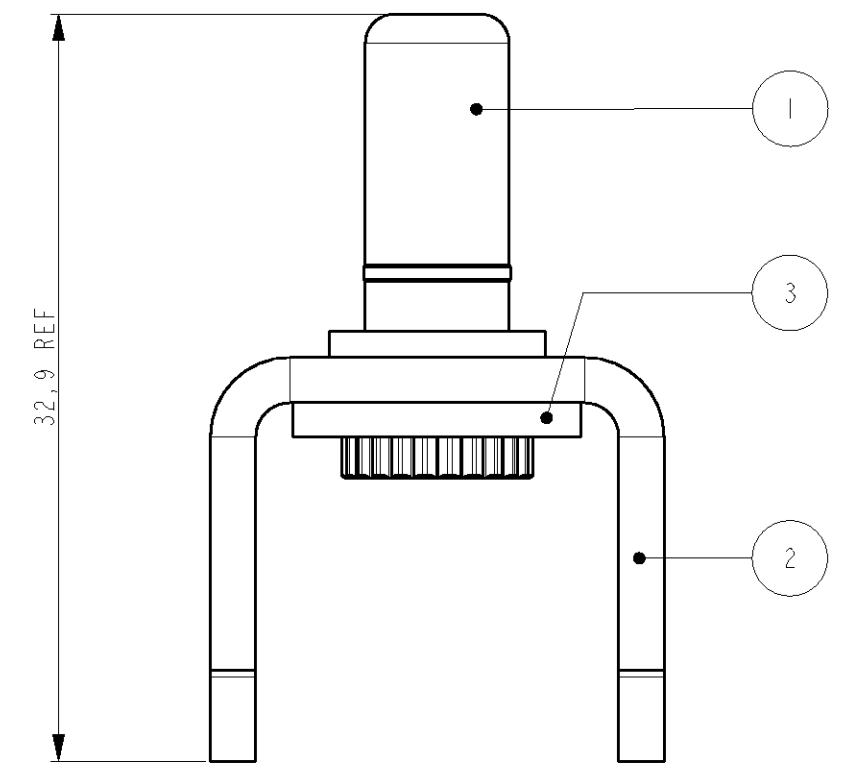
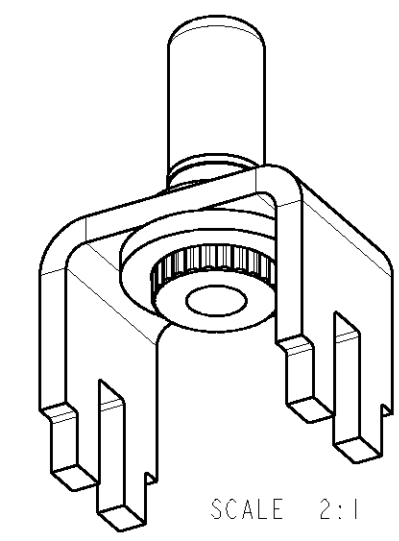
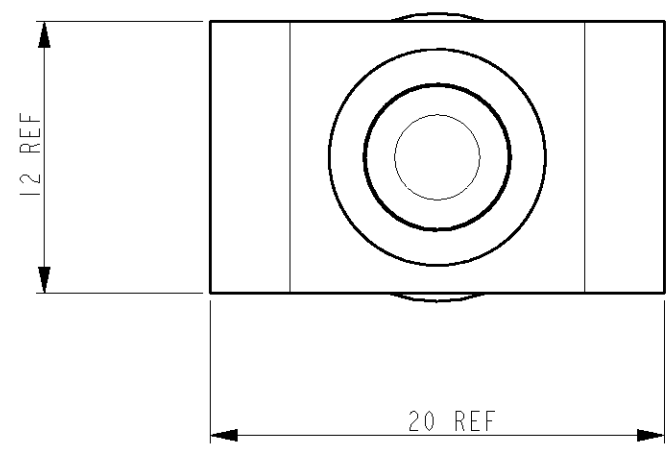
3

2

1

THIS DRAWING IS UNPUBLISHED. RELEASED FOR PUBLICATION 20
 © COPYRIGHT 20 BY TYCO ELECTRONICS CORPORATION. ALL RIGHTS RESERVED.

LOC	DIST	REVISIONS					
H	-	P	LTR	DESCRIPTION	DATE	DWN	APVD
			A	RELEASED	28MAR2007	RD	RL
			B	ECR-07-013006	01JUN2007	RD	RL
			C	ECR-08-017970	17JUL2008	JvdH	RL



NOTES:

- ① 5,0µm MIN. SILVER OVER 1,0µm MIN. NICKEL
- ② 0,5µm MIN. GOLD OVER 1,0µm MIN. NICKEL
- ③ 4-15µm TIN (MINIMUM IN AREA OF PINS) OVER 1,2µm MIN. NICKEL
- ④ 1,0µm MIN. NICKEL

ITEM NO.	DESCRIPTION	MATERIAL	FINISH	QUANTITY
3	SWAGE WASHER 1,5MM THICK	STEEL	④	1
2	STRIP	COPPER ALLOY	③	1
1	CONTACT PIN SIZE #4	COPPER ALLOY	②	1
1	CONTACT PIN SIZE #4	COPPER ALLOY	①	1

THIS DRAWING IS A CONTROLLED DOCUMENT FOR TYCO ELECTRONICS CORPORATION IT IS SUBJECT TO CHANGE AND THE CONTROLLING ENGINEERING ORGANIZATION SHOULD BE CONTACTED FOR THE LATEST REVISION.

DIMENSIONS:	TOLERANCES UNLESS OTHERWISE SPECIFIED:
mm	
	0 PLC ±0,2
	1 PLC ±0,1
	2 PLC ±0,05
	3 PLC ±0,025
	4 PLC ±0,005
	ANGLES ±1,0
MATERIAL	FINISH
-	-

DWN	14AUG2006	Tyco Electronics Nederland BV 's-Hertogenbosch, The Netherlands	
CHK	17AUG2006		
APVD	17AUG2006		
PRODUCT SPEC	J. Broeksteeg		
APPLICATION SPEC	-	NAME	
WEIGHT	-	BUSBAR WITH CONTACT PIN SIZE #4 SWAGE MOUNTED	
CUSTOMER DRAWING	SCALE 3:1	SIZE	RESTRICTED TO
		A3 00779	-
		CAGE CODE	REV
		1857924	C
		DRAWING NO	
		1857924-1	
		1857924-2	
		SHEET	OF
		1	1