

Waterproof USB Connectors

USB 2.0-Cable

End 1: M16 Panel conn. USB 2.0 Type A

End 2: Plug, USB 2.0 Type A



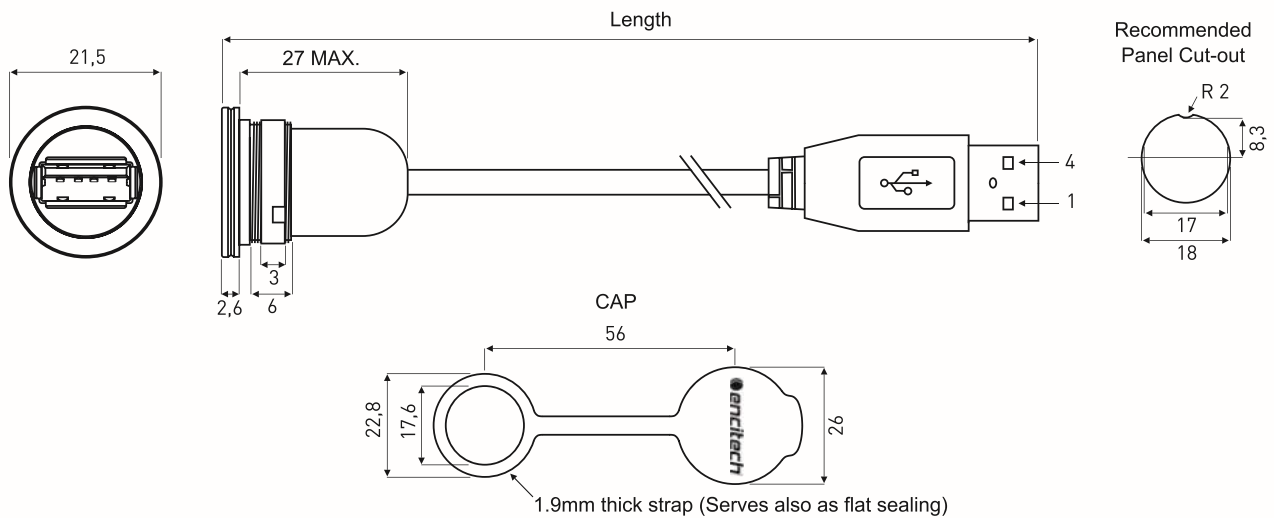
Protection: IP64 / IP67
(Assembled with CAP)

Contacts: 4

Housing material: Plastic, Black (PA)

Contact plating: Gold-plated

Kit: Including CAP + Circular nut



USB 2.0 - Type A Panel Connector with Cable

Cable length:	Part No:
0.5m	1310-1002-01
1.0m	1310-1002-02
1.5m	1310-1002-03
2.0m	1310-1002-04
3.0m	1310-1002-05

Accessories:	Part No:
Mounting Tool for Ring nut	1310-0099-01



Encitech AB
Rörkullsvägen 4
SE-302 41 HALMSTAD, Sweden

Tel: +46-(0)35-15 13 90
e-mail: connectors@encitech.com

www.encitech.com