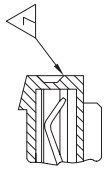
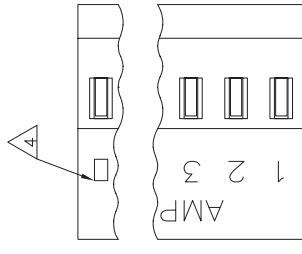


THIS DRAWING IS UNPUBLISHED.
 © COPYRIGHT BY TYCO ELECTRONICS CORPORATION. ALL RIGHTS RESERVED.

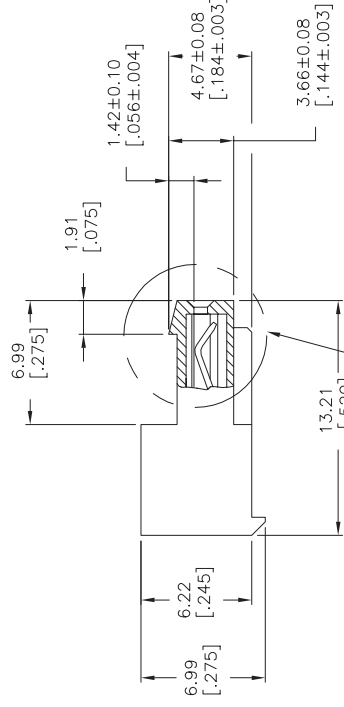
RELEASED FOR PUBLICATION
 ALL RIGHTS RESERVED.

LOC CM 00 DIST H H REVISIONS PER ECO-07-003755 DATE 28FEB07 UNM / APD KW / DB

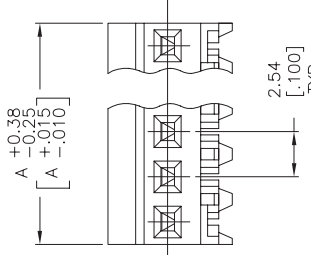
REVISED PER ECO-07-003755 DATE 28FEB07 UNM / APD KW / DB



DETAIL A



SEE DETAIL A FOR CLOSED CIRCUIT



FINISH	DIM A	NO OF CIRCUITS	PART NO
TIN	17.78 [.700] 15.24 [.600]	7 6	3-644101-7 3-644101-6
TIN-LEAD	17.78 [.700] 15.24 [.600]	7 6	644101-7 644101-6

- 1 MATERIAL: CONNECTOR - NYLON UL94V-2 (WHITE).
 CONTACTS - 0.30[.012] THICK COPPER ALLOY
 MATE WHISKER MITIGATED TIN
 0.00203[.000080] MIN THICKNESS
 OVER NICKEL UNDERPLATE OR BRIGHT
 TIN-LEAD 93/7 0.00203[.000080] MIN
 THICKNESS. SEE FINISH COLUMN FOR
 PLATING TYPE.
- 2 CONTACTS ACCEPT 24 AWG WIRE WITH 1.52[.060] MAX
 INSULATION DIAMETER.
- 3 CONTACTS MUST ACCEPT .64±0.03[.025±.001] SQUARE
 POST AND REMAIN LOCKED IN POSITION.
- 4 IDENTIFICATION NUMBER FOR LAST CIRCUIT MAY
 NOT APPEAR ON ALL ASSEMBLIES.
- 5 DIMENSIONS IN BRACKETS ARE IN INCHES.
- 6 HOUSING FEATURES ARE: CLOSED END WITH LOCKING RAMP.
 DETAIL A SHOWS CIRCUIT NO.5 MOLDED CLOSED.



THIS DRAWING IS A CONTROLLED DOCUMENT.		BY B. LEWIS	ZAPR81	TYCO ELECTRONICS CORPORATION Harrisburg, Pa 17105-3608
OK SWING	APR SWING	APR SWING	APR SWING	TYCO ELECTRONICS
DIMENSIONS: mm [INCHES]		G. MILLER		
± .010	± .010	PRODUCT SPEC	108-1050	MTA-100 CONNECTOR ASSEMBLY, 24 AWG, NO.5 CIRCUIT CLOSED,
± .010	± .010	APPLICATION SPEC	114-1019	SPECIAL
± .010	± .010	WEIGHT	A2 00779	RESTRICTED TO
± .010	± .010	FINISH	SCALE 5:1	REV
± .010	± .010	ANGLES	SHEET 1 OF 1	REV
± .010	± .010	FINISH	CUSTOMER DRAWING	REV