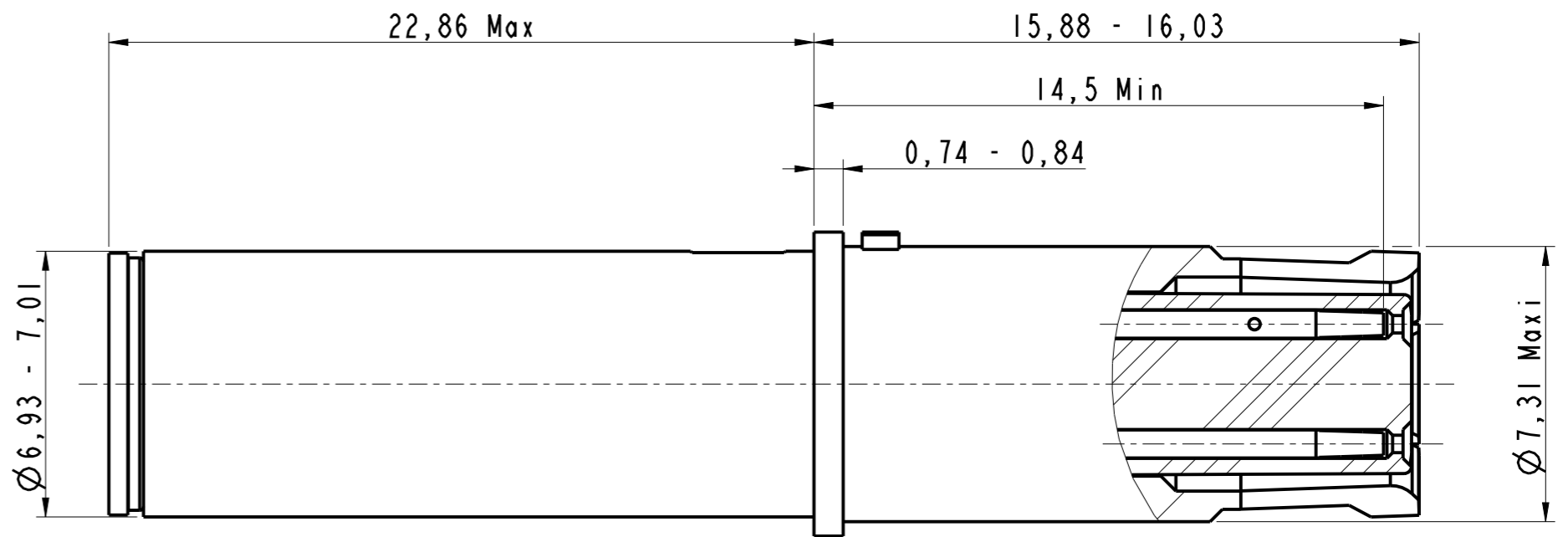
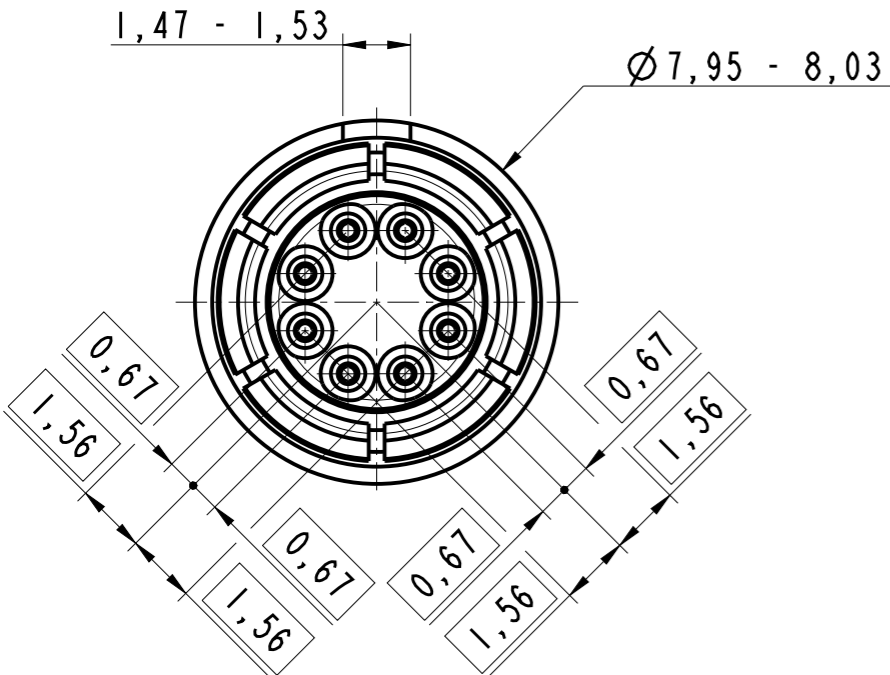
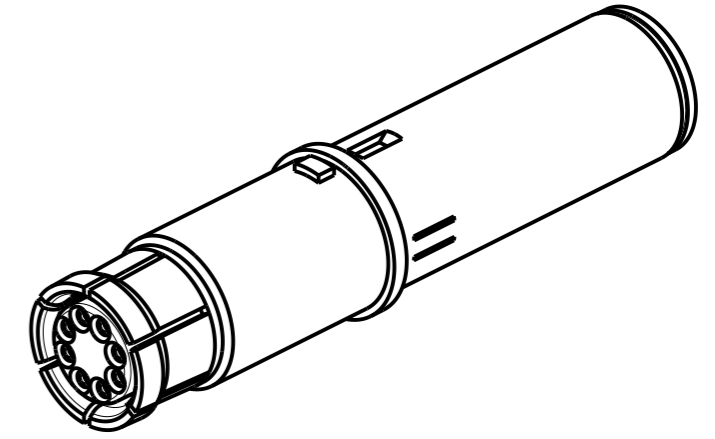


IN THE CONSTANT PURPOSE OF IMPROVING ITS PRODUCTS, AMPHENOL SOCAPEX RESERVES THE RIGHT TO MODIFY ANY DIMENSION OR CHARACTERISTICS.
FM.NPD.0036.THYEZ.PUNE rev C



Notes

- ① - Contact livré non assemblé
Contact delivered unassembled
- ② - Cable compatible: Gore RCN9047-26
Compatible cable: Gore RCN9047-26
- ③ - Outil de sertissage
 - Contact extérieur: outil M22520/5-01
 Avec positionner: M22520/5-45 en position A
 - Contact intérieur: M22520/02-01
 Avec positionner: K1976
Crimping tools:
 - Outer contact: tool M22520/5-01
 With positioner: M22520/5-45 tool in position A
 - Inner contact: M22520/02-01
 With positioner: K1976
- ④ - Outil d'extraction: M81969/14-06
Extraction tool: M81969/14-06
- ⑤ - S'acouple avec la broche Octomax 612351
Mates with pin Octomax 612351



Douille T8 Octomax Ethernet 1Gbit 38999 100Ohms
Crimp Socket S8 Octomax Ethernet Gigabit 38999 100Ohms
 P/N : 612250

DRAWN BY : M.PRUD'HOM	UPDATED BY : M.PRUD'HOM	LAST APPROVED BY : L.LAGRANGE
ALL DIMENSIONS ARE IN MM	AMPHENOL SOCAPEX B.P. 29 74311 THYEZ CEDEX	ORIGINAL DRAWING DATE : 18/06/20
SCALE : 6		CONFIGURATION DATA ARE AVAILABLE IN PDM
		REV : B PAGE : 1/1
		172-PLC-222-00