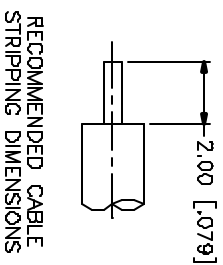
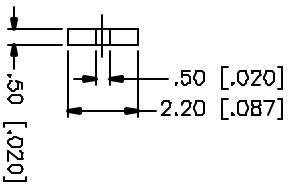
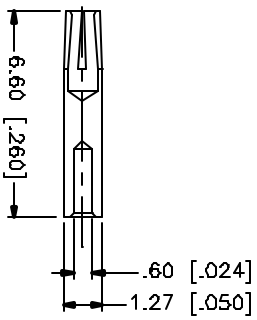
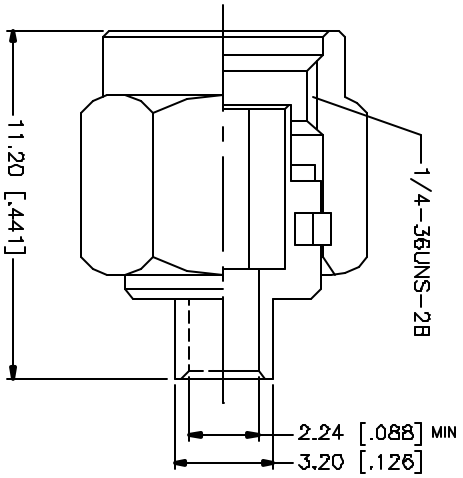


REV.	DATE	DESCRIPTION
NC	05/16/05	INITIAL RELEASE



REV.	DATE	DESCRIPTION
B		
7		
6		
5		
4		
3		
2		
1		

DESCRIPTION	MATERIAL	FINISH	QTY
1	BRASS	GOLD	1
2	TEFLON	NATURAL	1
3	BRASS	GOLD	1
4	SILICONE	RED	1
5			
6			
7			
8			

APPROVALS	DATE
DRAWN G.R.S.	05/16/05
CHECKED	
DESIGNED	
SHEET 1 OF 1	

APPROVALS	DATE
DRAWN G.R.S.	05/16/05
CHECKED	
DESIGNED	
SHEET 1 OF 1	

UNLESS OTHERWISE SPECIFIED, DIMENSIONS ARE IN MILLIMETERS. DIMENSIONS IN [] ARE IN INCHES AND FOR DIMENSION REFERENCE ONLY.
UNLESS OTHERWISE SPECIFIED, DIMENSIONS FOR MILLIMETERS ARE: 0.5 - 8mm ± 0.20mm 9 - 30mm ± 0.40mm 30 - 120mm ± 0.50mm
UNLESS OTHERWISE SPECIFIED, DIMENSIONS FOR INCHES ARE: .020 - .315 ± 0.010" .315 - 1.180 ± 0.015" 1.180 - 4.724 ± 0.020"
DO NOT SCALE DRAWING

DWG. NO.	REV.	NC	SIZE	SCALE
132101RP.DWG			A	NA

CAD FILE
C:/132/132101RP.DWG

PART DESCRIPTION
SMA REVERSE POLARITY SEMI-RIGID PLUG (FOR .085" , .086" CABLE)

PART NO.
132101RP