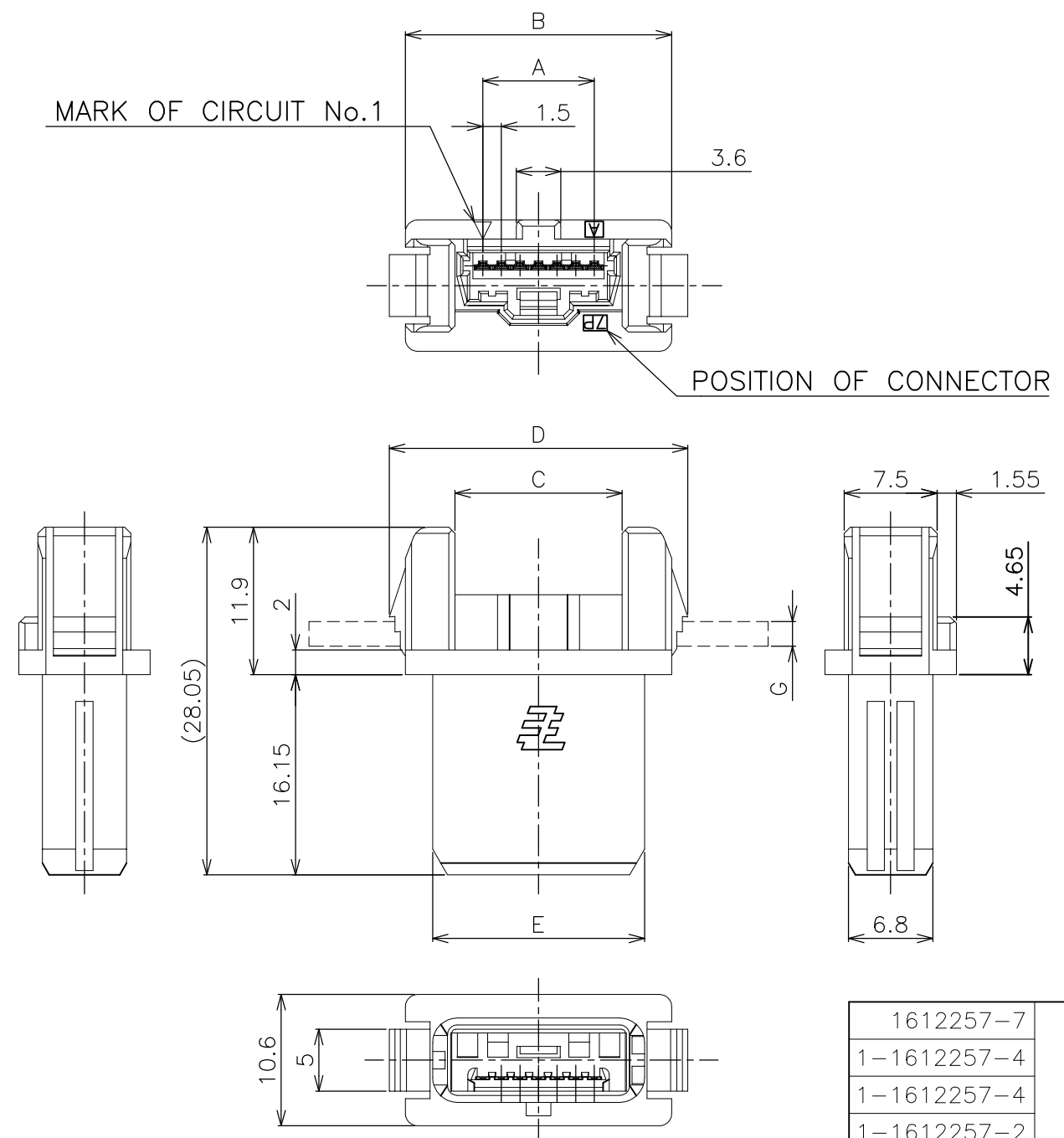


LOC	DIST	REVISIONS					
ES	00	P	LTR	DESCRIPTION	DATE	DWN	APVD
		F		REVISED ECR-10-010197	17JUN11	T.Q	S.Y

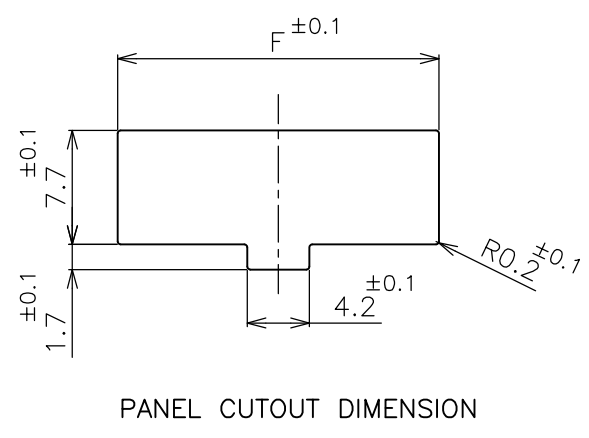
AS SHOWN : 1612256-7



NOTES

- USE WITH MINI CT MT TYPE P/N : X-353293-X (ASSY)
 CRIMP TYPE P/N : 353907-1 (CONTACT)
 353918-1(L/P) (CONTACT)
 X-353908-X (HOUSING)
- MATERIAL HOUSING :PBT G.F. UL94 V-0, COLOR: BLACK
 CONTACT :COPPER ALLOY
- FINISH CONTACT : NICKEL UNDER PLATED ALL OVER
 CONTACT AREA : GOLD PLATED
 POST AREA : Sn 100% PLATED
- THE PANEL SHOULD BE PUNCHED SO THAT THE HOUSING ENTERS THE PANEL IN THE SAME DIRECTION AS PUNCH.
- FLOATING DIMENSION : 0.5 MAX
 (INCLUDE THE AMOUNT OF AXIAL GAPS)
- DIMENSION BETWEEN PANELS MUST BE SET 21.8-22.8mm.
 (INCLUDE THE CLEARANCE BETWEEN CONNECTOR AND PANEL)
- GENERAL TOLERANCE
 10 > ±0.2
 30 > >10:±0.25
 100 > >30:±0.3
 ANGLES:±3°
- SEQUENTIAL CIRCUIT NO. IS SHOWN IN TABLE.

1612257-7			21.7	17.1	24.1	13.5	21.5	9.0	1	7	7-1612256-7
1-1612257-4			32.2	27.6	34.6	24.0	32.0	19.5	2 & 9	14	7-1612256-4
1-1612257-4	21.8	±0.1	32.2	27.6	34.6	24.0	32.0	19.5	3	14	1-1612256-4
1-1612257-2		OR	29.2	24.6	31.6	21.0	29.0	16.5	3	12	1-1612256-2
1-1612257-0			26.2	21.6	28.6	18.0	26.0	13.5	3	10	1-1612256-0
1612257-7			21.7	17.1	24.1	13.5	21.5	9.0	3	7	1612256-7
COUNTER MATING CONNECTOR P/N	H	G	F	E	D	C	B	A	SEQUENTIAL CIRCUIT No.	POS.	P/N



THIS DRAWING IS A CONTROLLED DOCUMENT.

DIMENSIONS: MM	TOLERANCES UNLESS OTHERWISE SPECIFIED:	DWN H.HOSHINO 05AUG02	STE TE Connectivity
	0 PLC ± 1 PLC ± 2 PLC ± 3 PLC ± 4 PLC ± ANGLES ±	CHK T.KUSUHARA 05AUG02	
MATERIAL	FINISH	APVD I.ENOMOTO 05AUG02	NAME
		PRODUCT SPEC	108-5836
		APPLICATION SPEC	PLUG ASSEMBLY MINI CT DC DRAWER SNAP-FIT SINGLE ROW TYPE
		WEIGHT	SIZE CAGE CODE DRAWING NO RESTRICTED TO
		CUSTOMER DRAWING	A3 00779 C-1612256
		SCALE 2:1	SHEET 1 OF 2 REV F

4

3

2

1

THIS DRAWING IS UNPUBLISHED.

RELEASED FOR PUBLICATION

AUG ,2002.

© COPYRIGHT 2002 BY TYCO ELECTRONICS CORPORATION. ALL RIGHTS RESERVED.

LOC

DIST

REVISIONS

ES

00

P

LTR

DESCRIPTION

DATE

DWN

APVD

—

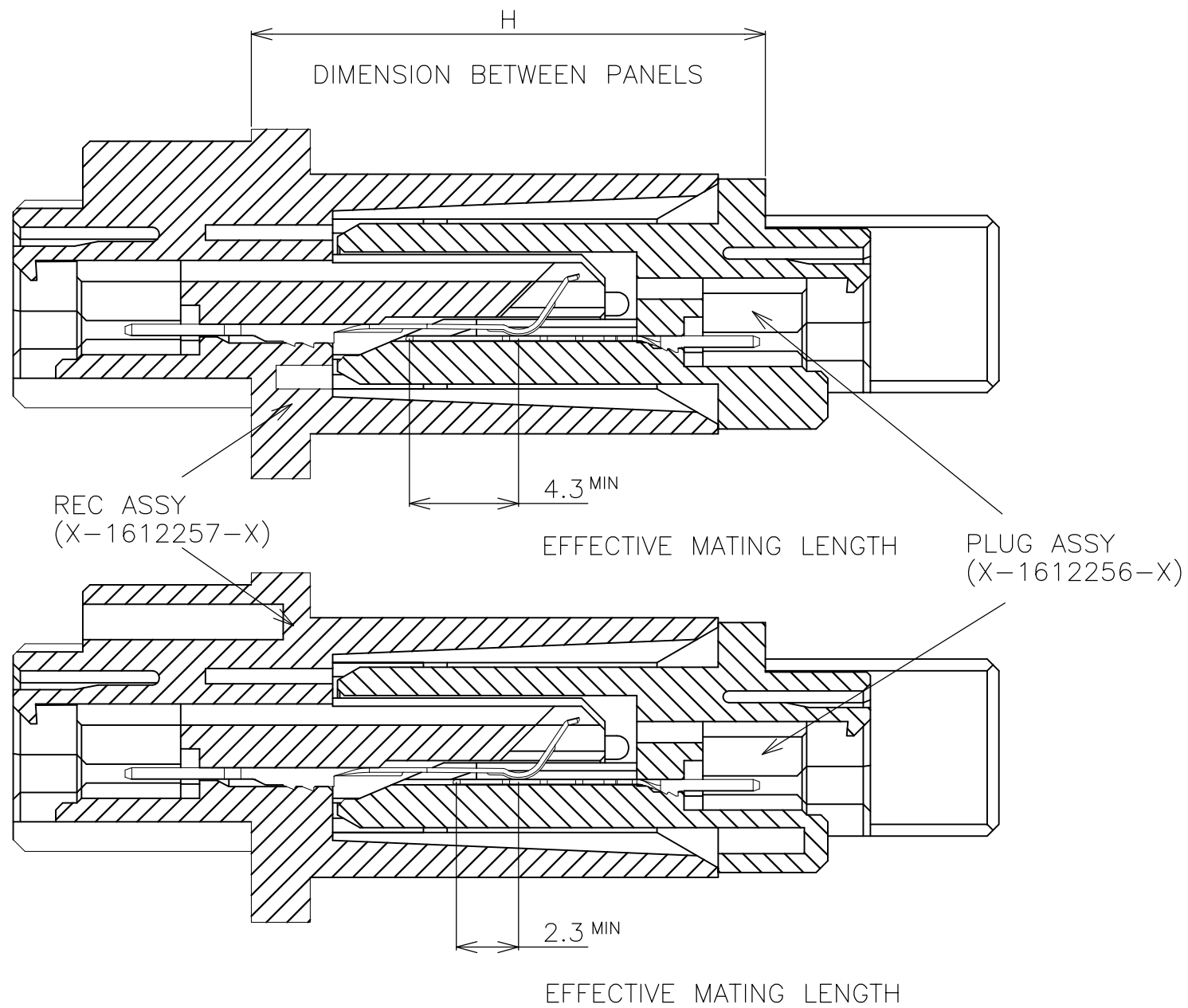
SEE SHEET 1

—

—

—

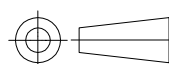
AS SHOWN : 1612256-7



CROSS SECTION

THIS DRAWING IS A CONTROLLED DOCUMENT.

DIMENSIONS:
MM



TOLERANCES UNLESS OTHERWISE SPECIFIED:

- 0 PLC ±
- 1 PLC ±
- 2 PLC ±
- 3 PLC ±
- 4 PLC ±
- ANGLES ±
- FINISH ±

MATERIAL

FINISH

DWN

CHK

APVD

PRODUCT SPEC

APPLICATION SPEC

WEIGHT

CUSTOMER DRAWING



TE Connectivity

NAME

PLUG ASSEMBLY
MINI CT DC DRAWER SNAP-FIT
SINGLE ROW TYPE

SIZE

CAGE CODE

DRAWING NO

RESTRICTED TO

A3

00779

C-1612256

—

SCALE 4:1

SHEET 2 OF 2

REV F