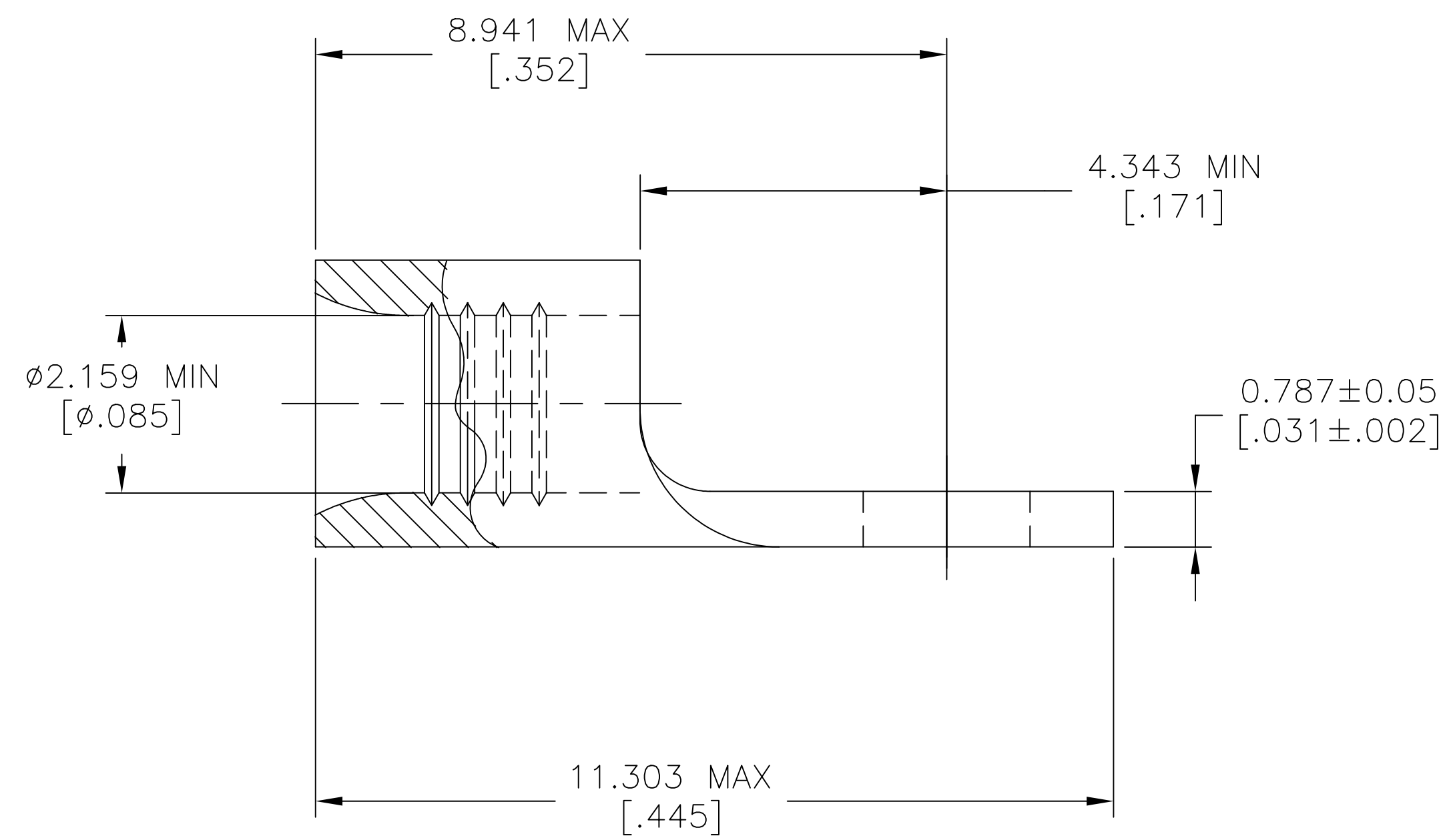
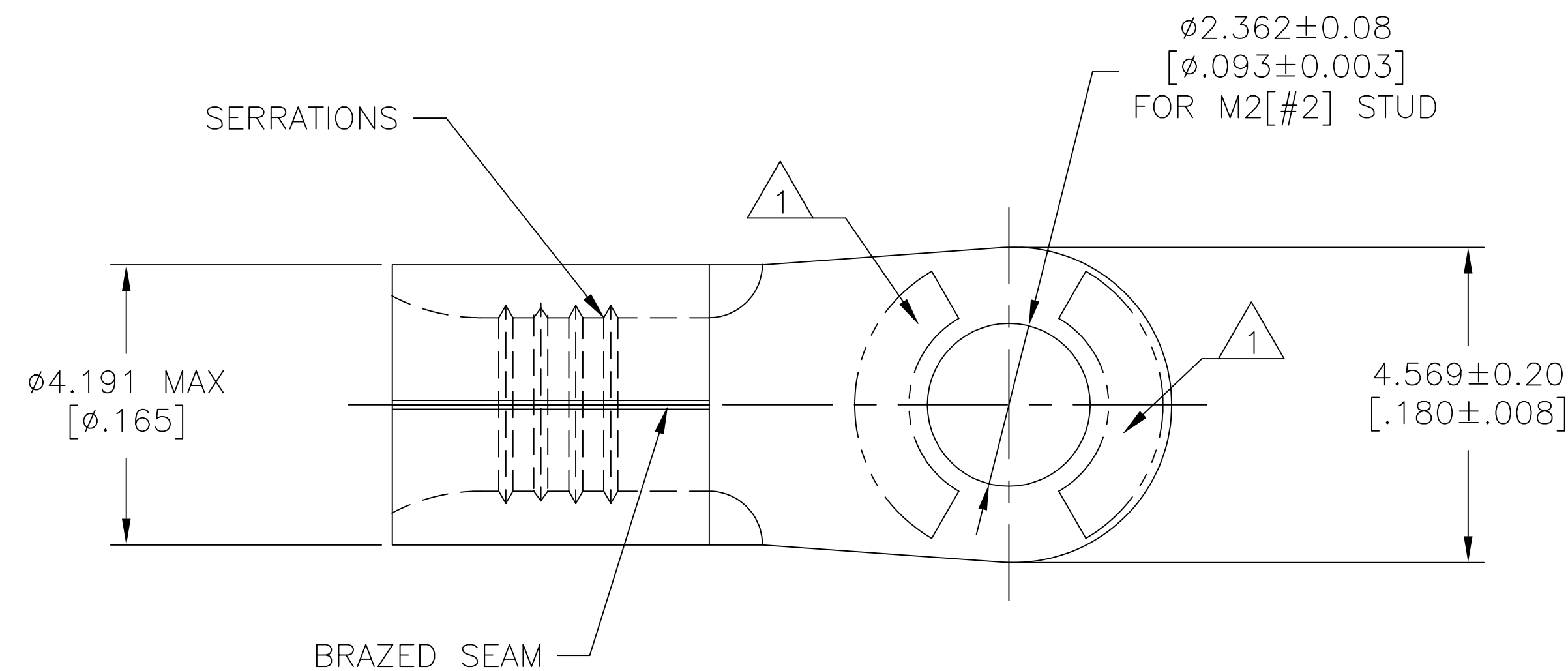


THIS DRAWING IS UNPUBLISHED. RELEASED FOR PUBLICATION
 © COPYRIGHT - TE Connectivity Ltd. ALL RIGHTS RESERVED.

REVISIONS					
P	LTR	DESCRIPTION	DATE	DWN	APVD
F		REV PER OG10-0026-99	12FEB99	-	MJSU
F1		REV PER ECO-18-001395	30JAN2018	RS	DR



AMP WIRE RANGE	E13288 Listed
16-14 AWG SOLID OR STRANDED	16-14 AWG SOLID OR STRANDED
LR7189 Certified	MILITARY P/N AND CLASS
16-14 AWG SOLID OR STRANDED	NOT APPLICABLE

- 1 STAMP AMP 16-14*2½-4 APPROX AS SHOWN
- 2 TIN PLATE 0.00254[.000100] MIN EXT THK. PER ASTM B545
- 3 TIN-LEAD PLATE (93/7%) 0.00254[.000100] MIN EXT THK. PER ASTM B545

3	1000	LOOSE PIECE	328377-1
2	1000	LOOSE PIECE	328377
	QTY	PACKAGE TYPE	PART NO.

AMP INCORPORATED CUSTOMER SERVICE SYSTEMS		THIS DRAWING IS A CONTROLLED DOCUMENT.		DWN TA BRINKMAN 3-11-93	TE Connectivity Ltd.
FOR ADDITIONAL PRODUCT INFORMATION OR COPIES OF DRAWINGS AND TECHNICAL DOCUMENTS	PRODUCT INFORMATION CENTER 1-800-522-6752	MAX RECOMMENDED OPERATING TEMPERATURE: 170°C [338°F] MAX	DIMENSIONS: mm [INCHES]	CHK DA PATTERSON 3-11-93	
FOR APPLICATION	TOOLING ASSISTANCE CENTER 1-800-722-1111	VOLTAGE RATING: NOT APPLICABLE		APVD DE MILLER 3-11-93	NAME TERMINAL, RING TONGUE, SOLISTRAND™ 16-14 AWG
TOOLING INFORMATION	1-800-722-1111	WIRE CROSS SECTIONAL AREA RANGE, 1.04-2.62mm²[2,050-5,180] CIR MILS SOLID OR STRANDED		TOLERANCES UNLESS OTHERWISE SPECIFIED: 0 PLC ± - 1 PLC ± - 2 PLC ± - 3 PLC ± 0.127[.005] 4 PLC ± - ANGLES ± -	
FOR ORDER ENTRY	1-800-526-5142		MATERIAL COPPER PER ASTM B-152 ANNEALED	FINISH SEE TABLE	APPLICATION SPEC -
				SIZE A2	CAGE CODE 00779
				DRAWING NO C=328377	RESTRICTED TO -
				SCALE 10:1	SHEET 1 OF 1
				CUSTOMER DRAWING	REV F1