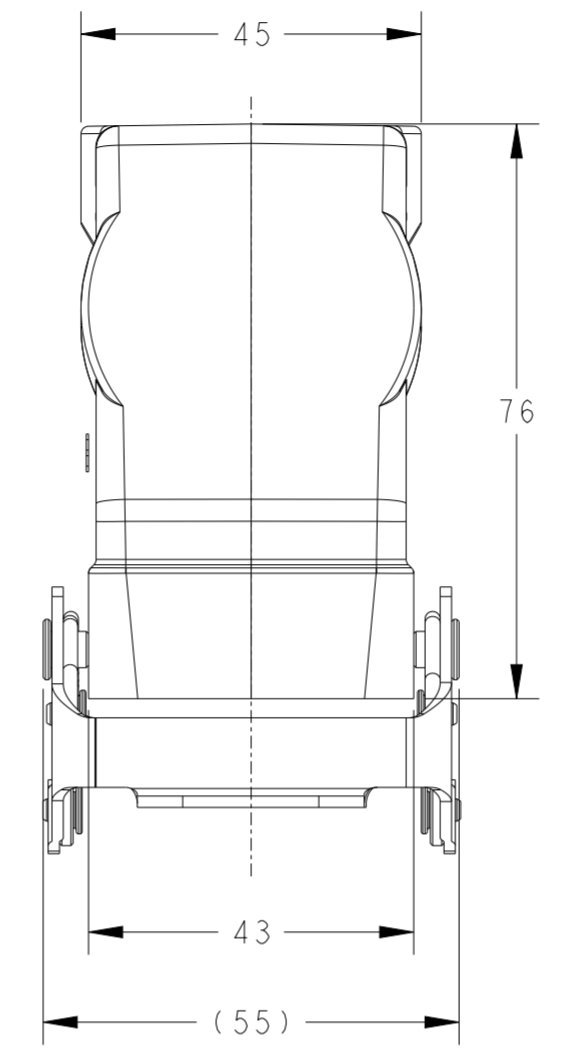
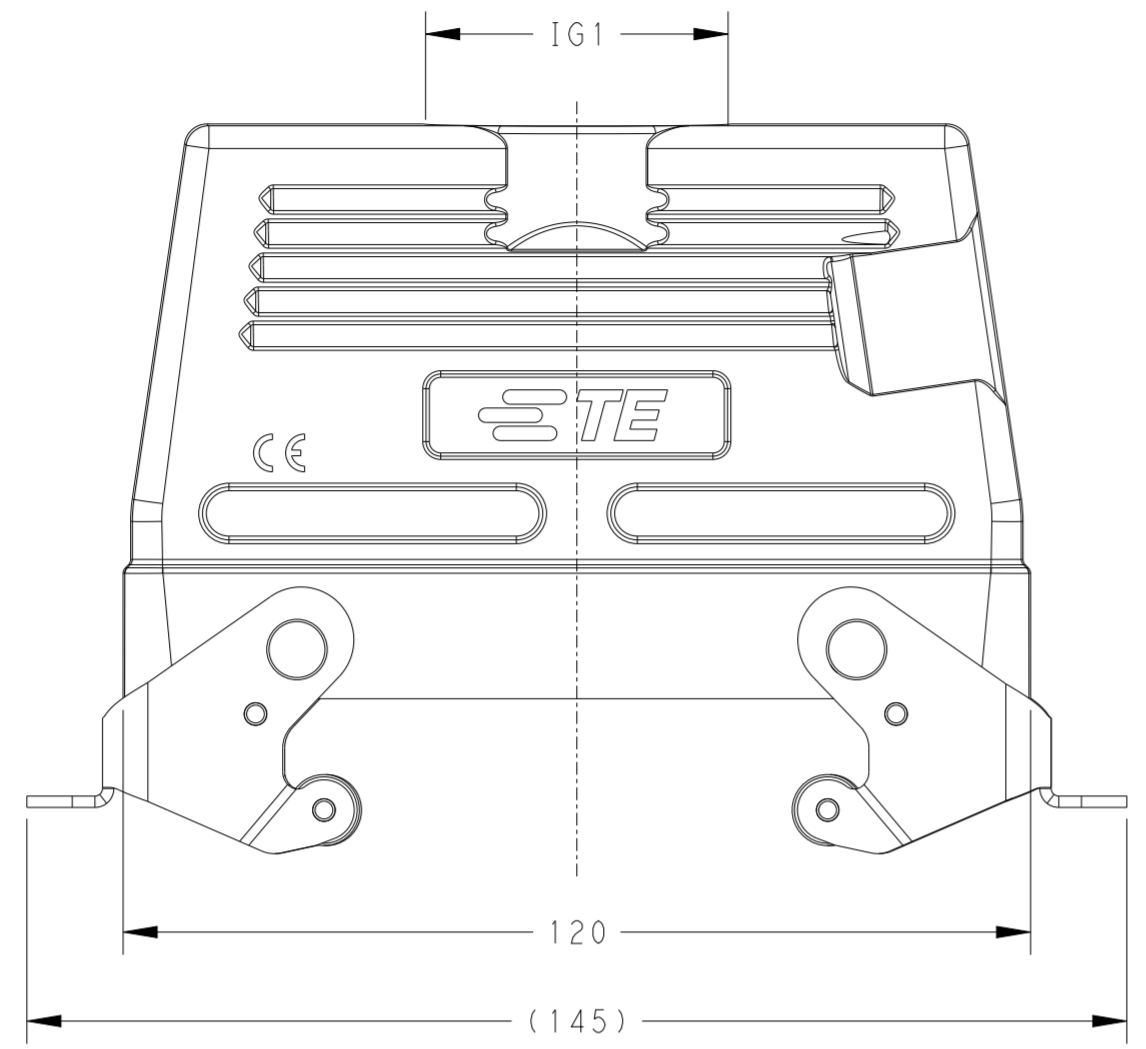


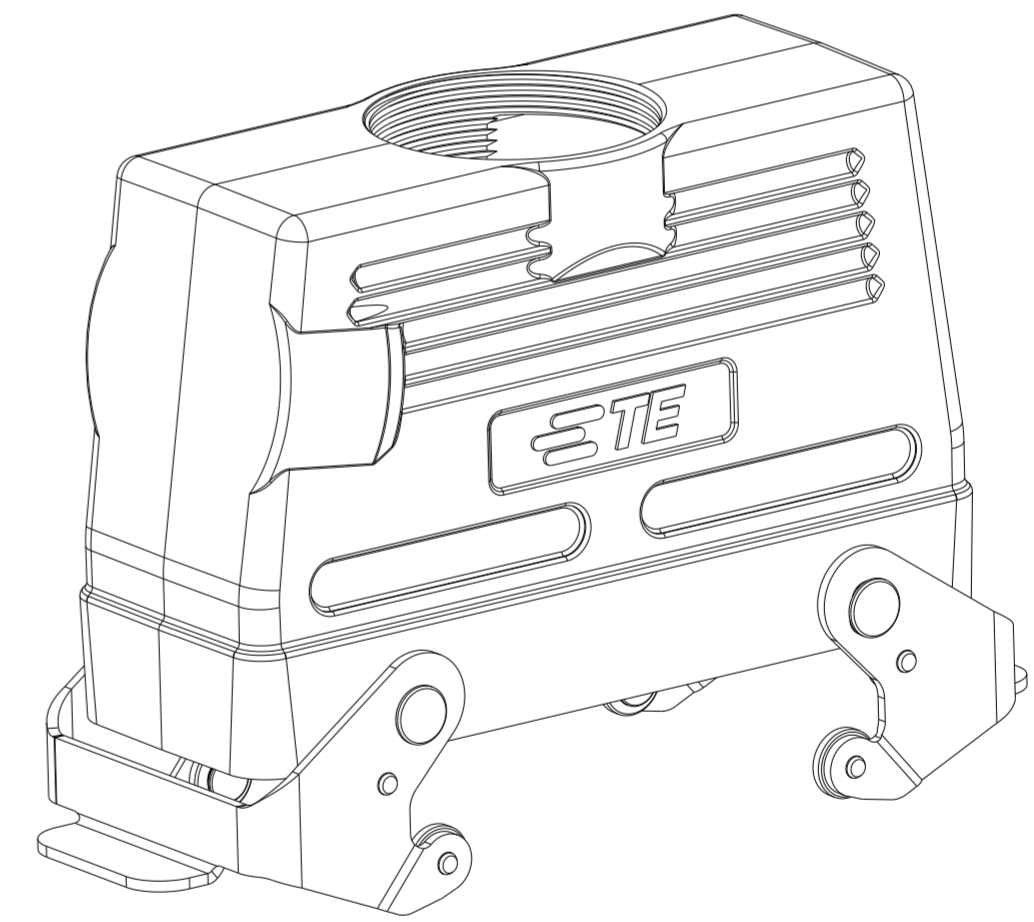
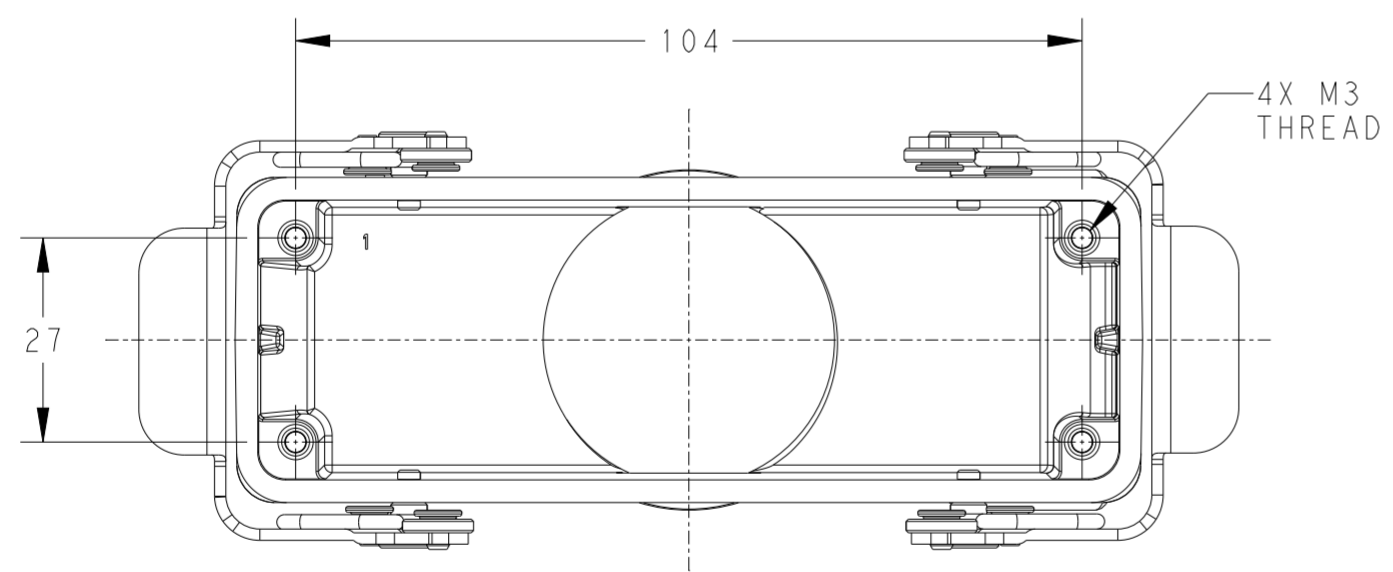
THIS DRAWING IS UNPUBLISHED. RELEASED FOR PUBLICATION 20  
 © COPYRIGHT 20 BY - ALL RIGHTS RESERVED.

REVISIONS					
P	LTR	DESCRIPTION	DATE	DWN	APVD
A		INITIAL	06JUN2015	DW	CW
B		ECR-20-014876	10NOV2020	WOR	CW



NOTES:  
 1. TECHNICAL CHARACTERISTICS:  
 HOOD MATERIAL: DIE CAST ALUMINIUM ALLOY  
 SURFACE: POWDER COATED, GREY  
 DEGREE OF PROTECTION: IP65 (MATED)

注释:  
 1. 技术参数:  
 上壳材料: 铝合金  
 表面处理: 粉末涂层, 灰色  
 防护等级: IP65 (配合)



T1280243121-000	H24B-TGBHS-PG21	HIGH CONSTRUCTION	PG21
T1280243129-000	H24B-TGBHS-PG29		PG29
T1280243125-000	H24B-TGBHS-M25		M25
T1280243132-000	H24B-TGBHS-M32		M32
T1280243140-000	H24B-TGBHS-M40		M40
PART NUMBER	DESCRIPTION	TYPE	IG1

THIS DRAWING IS A CONTROLLED DOCUMENT.

DWN	06JUN2015	TE Connectivity	NAME		
CHK	06JUN2015		H24B-TGBHS-M/PG		
APVD	06JUN2015		SIZE	CAGE CODE	DRAWING NO
PRODUCT SPEC	108-137013		A2	00779	C-T12802431XX000
APPLICATION SPEC	114-137013	SCALE	1:1	SHEET	1 OF 1
MATERIAL	-	WEIGHT	-	RESTRICTED TO	-
FINISH	-	Customer Drawing		REV	B