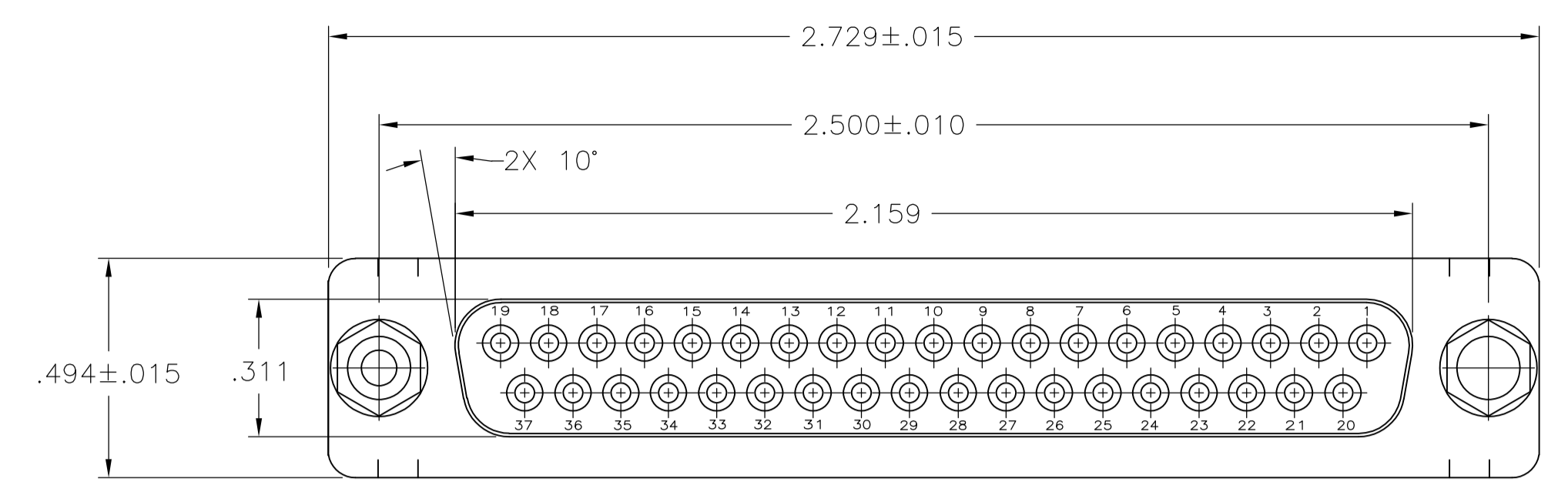
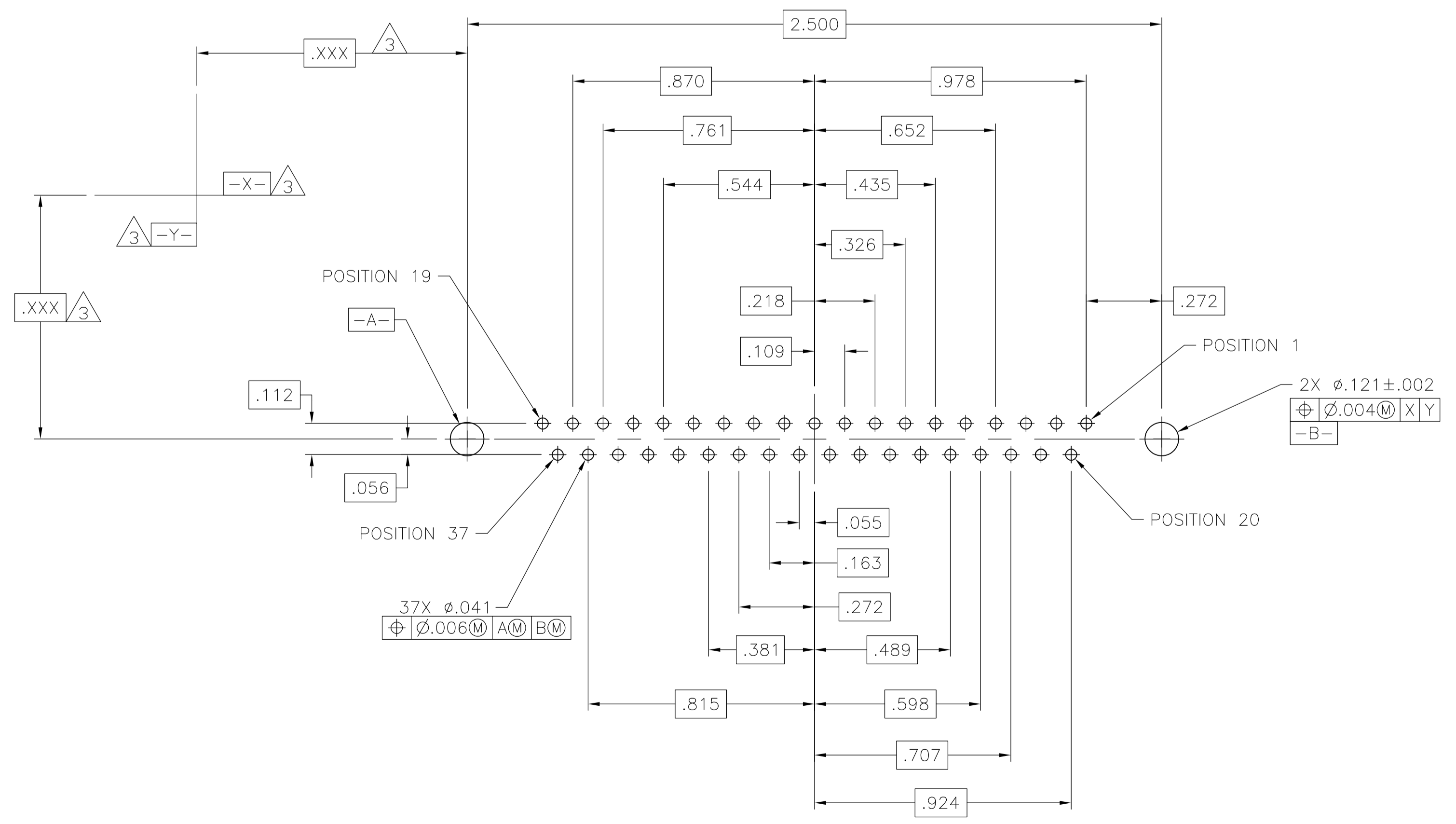
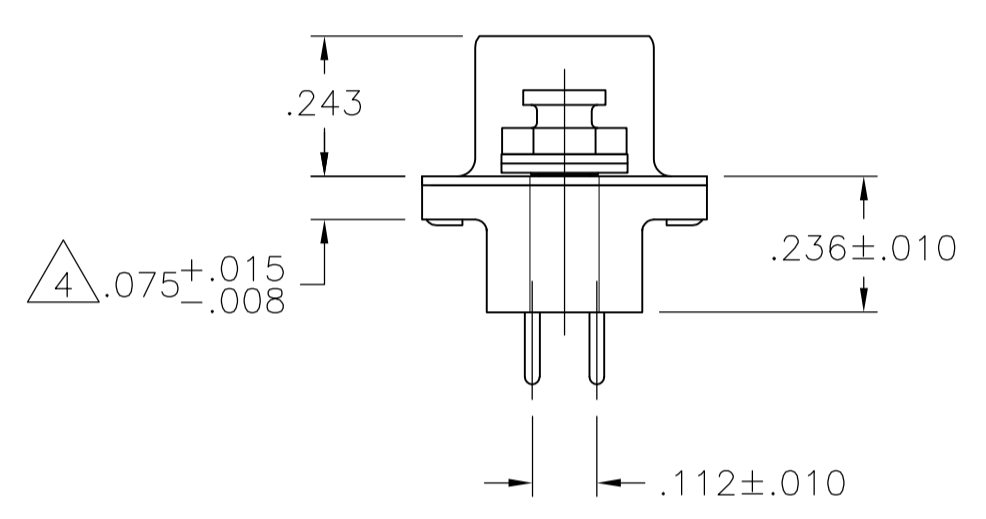
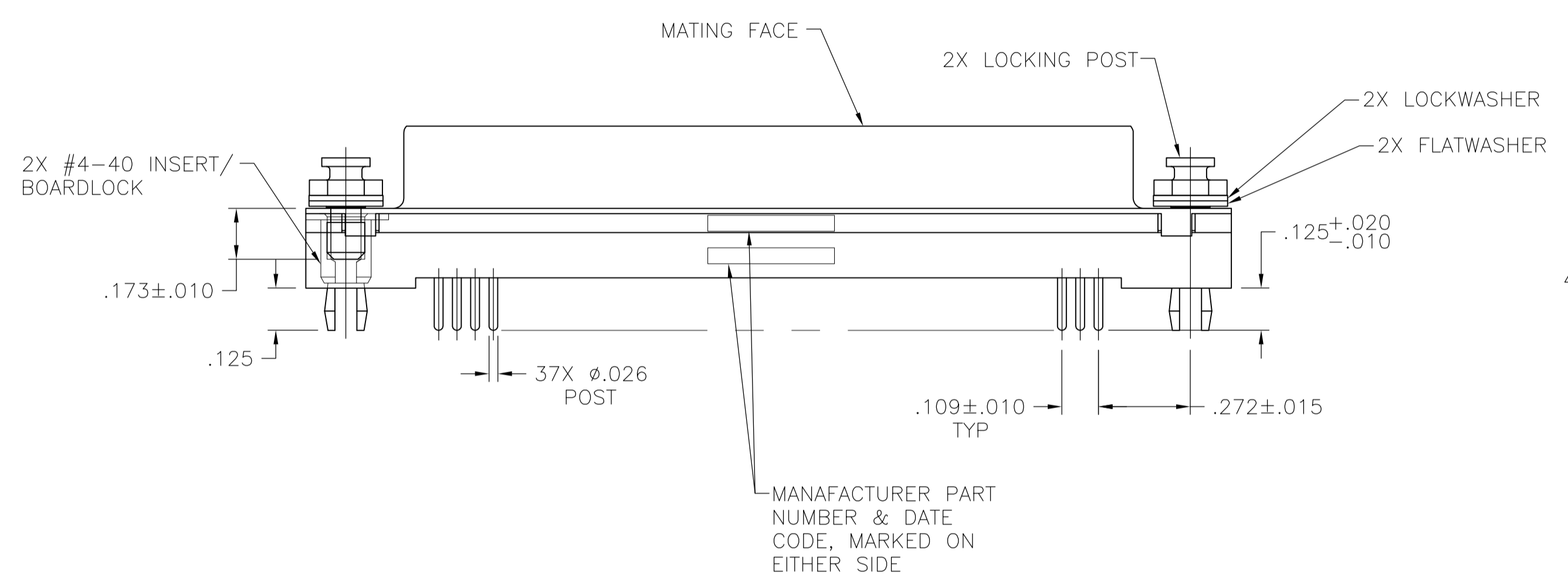


REVISIONS					
P	LTR	DESCRIPTION	DATE	DMN	APVD
A		REVISED PER ECO-16-001548	08MAR2016	AP	DG



- 1 MATERIAL:  
HOUSING: FLAME RETARDANT 94V-0 RATED THERMOPLASTIC, COLOR: BLACK.  
SHELL: CARBON STEEL.  
CONTACTS: PHOS. BRONZE.  
INSERTS/BOARDLOCKS: BRASS.  
LOCKING POST, LOCK WASHER & FLAT WASHER: CARBON STEEL.
- 2 FINISH:  
SHELL: .000200 MIN TIN OVER .000100 MIN COPPER  
CONTACTS: .000030 MIN GOLD FOR LENGTH OF .100 MIN FROM MATING END, .000100 MIN TIN OR TIN-LEAD ON TERMINATION END, ALL OVER  
.000050 MIN NICKEL ON ENTIRE CONTACT.  
INSERTS/BOARDLOCK: .000150 MIN TIN-LEAD OVER .000100 MIN COPPER EXCEPT PLATING NOT REQUIRED IN THREADED AREA.  
LOCKING POST: ZINC PLATE WITH CLEAR CHROMATE COATING.  
LOCK WASHER & FLAT WASHER: ZINC PLATE WITH CLEAR CHROMATE COATING.
- 3 DATUMS AND BASIC DIMENSIONS TO BE ESTABLISHED BY CUSTOMER.
- 4 .110 MAX IN SHELL TAB CLINCH AREAS.



RECOMMENDED PC BOARD MOUNTING DIMENSIONS  
(.062 THICK PCB)

788836-1  
PART NUMBER

THIS DRAWING IS A CONTROLLED DOCUMENT.		DIN B1 MCMMASTER 12OCT05	TE Connectivity
DIMENSIONS: INCHES		CHK S. BOLASH 12OCT05	
TOLERANCES UNLESS OTHERWISE SPECIFIED:		APVD S. BOLASH 12OCT05	NAME
0. PLC ± -		PRODUCT SPEC	RECEPTACLE ASSEMBLY, SIZE 4, 37 POS., VERTICAL, FRONT METAL SHELL, AMPLIMITE HD-20
1. PLC ± -		APPLICATION SPEC	108-40025
2. PLC ± -		SIZE	A1
3. PLC ± .005		WEIGHT	00779
4. PLC ± -		CAGE CODE	788836
ANGLES ± -		DRAWING NO	788836
MATERIAL 1		CUSTOMER DRAWING	
FINISH 2		SCALE	3:1
		SHEET	1 OF 1
		REV	A