

7dBi WiFi / Bluetooth Ceramic Patch Antenna



APAKN2504-S2448-T

25.0 x 25.0 x 4.0mm

RoHS/RoHS II Compliant

MSL = 1

FEATURES

- Gain of 7dBi
- 2.4GHz band
- 100 MHz bandwidth
- Surface mount patch antenna
- 25.0 x 25.0 x 4.0mm form factor

APPLICATIONS

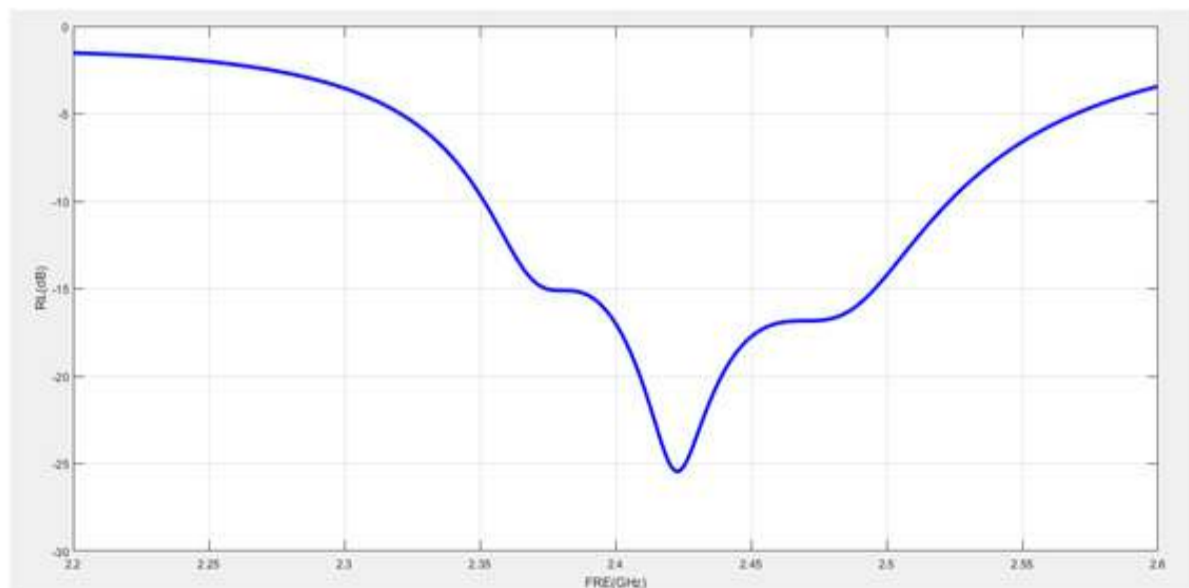
- Wifi
- Bluetooth
- ZigBee
- ISM applications

ELECTRICALSPECIFICATIONS

Parameters	min	Typ.	Max.	Units	Note
Receiving Frequency Range	2412		2484	MHz	(On a 70*70mm Ground Plane)
Bandwidth	100			MHz	(Return loss \leq -10dB)
Return Loss			-10	dB	(@ CF)
Gain		7.0		dBi	(Peak gain)
Polarization Model	Linear				
Impedance	50			Ω	
Frequency Temperature Coefficient			20	ppm/ $^{\circ}$ C	

(*) Application environment, including size of the ground plane, proximity to adjacent components, etc., will affect stated performance. Fine tuning might be required when installed on end-customer's PCB. Abracon offers Antenna Optimization Service, please contact Abracon.

RETURNLOSSCHARACTERISTIC



5101 Hidden Creek Ln Spicewood TX 78669
Phone: 512-371-6159 | Fax: 512-351-8858
For terms and conditions of sales, please visit:
www.abracon.com

REVISED: 03.01.2021

ABRACON IS
ISO9001-2015
CERTIFIED

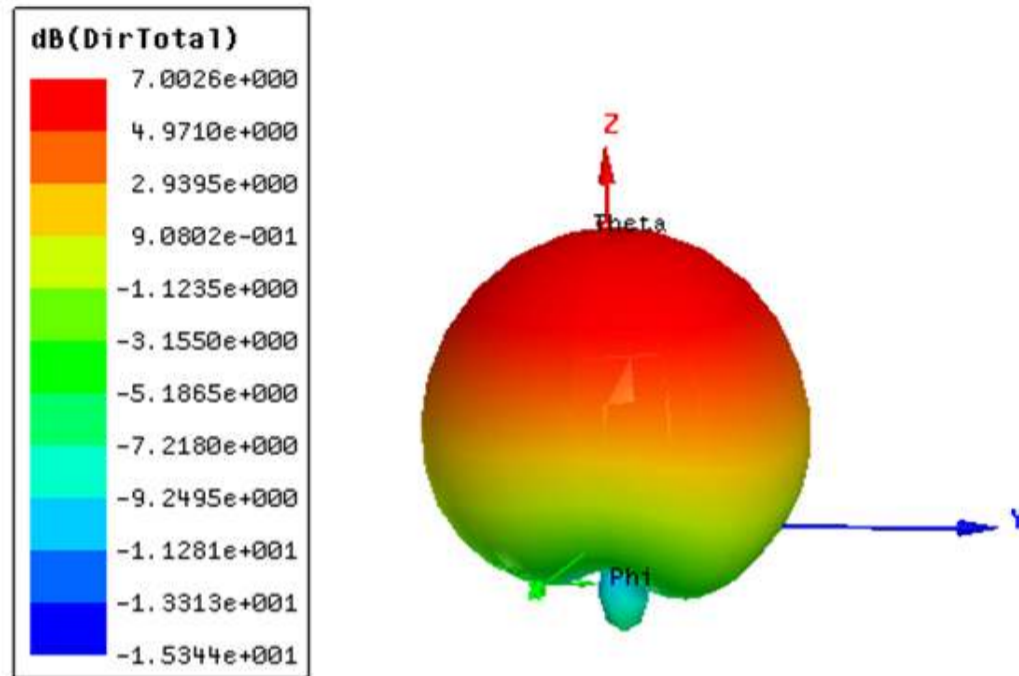
7dBi WiFi / Bluetooth Ceramic Patch Antenna



APAKN2504-S2448-T

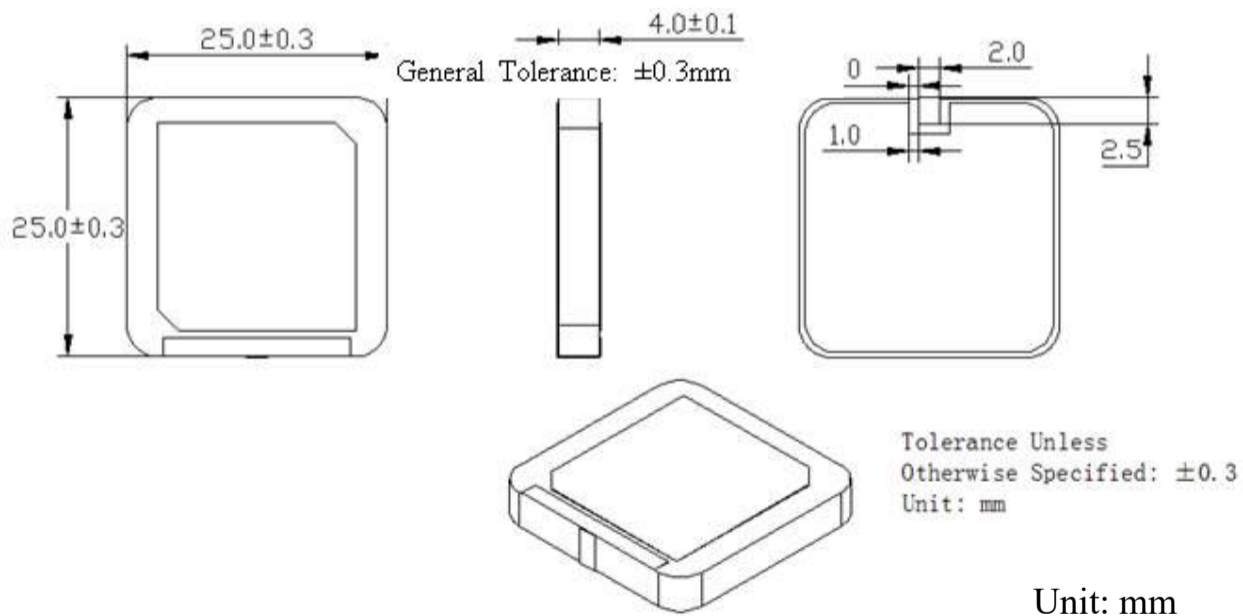
25.0 x 25.0 x 4.0mm
RoHS/RoHS II Compliant
MSL = 1

RADIATION PATTERN (3D)



Radiation pattern@ 2.45GHz

OUTLINE DIMENSIONS

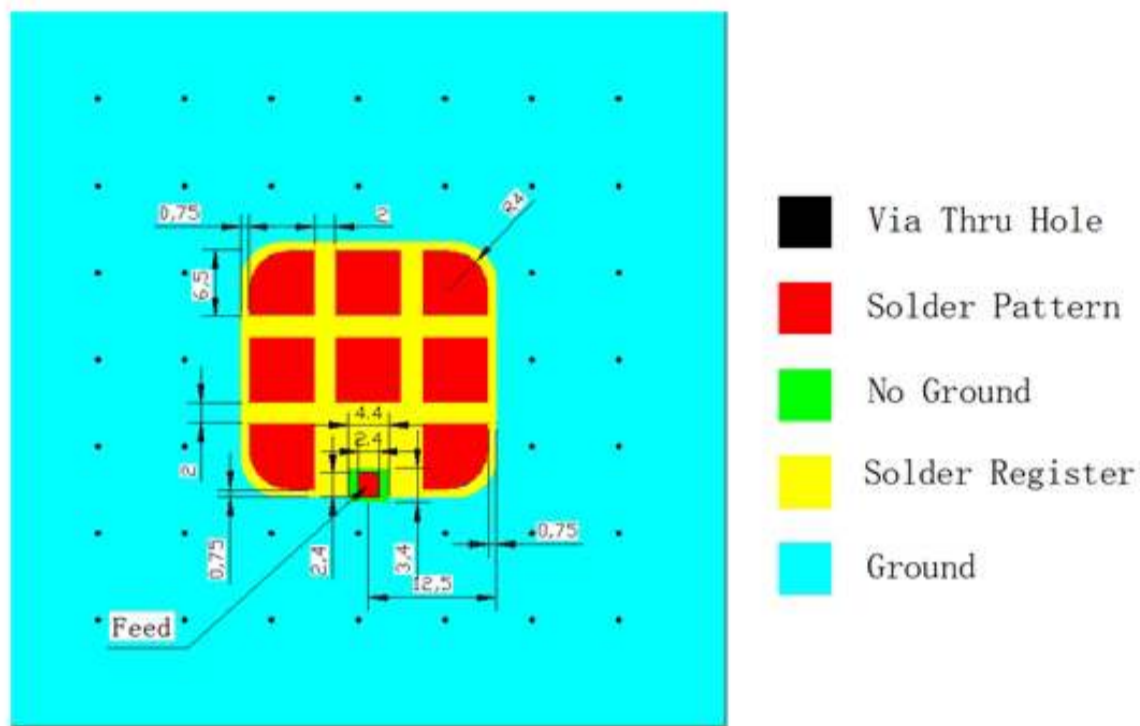




APAKN2504-S2448-T

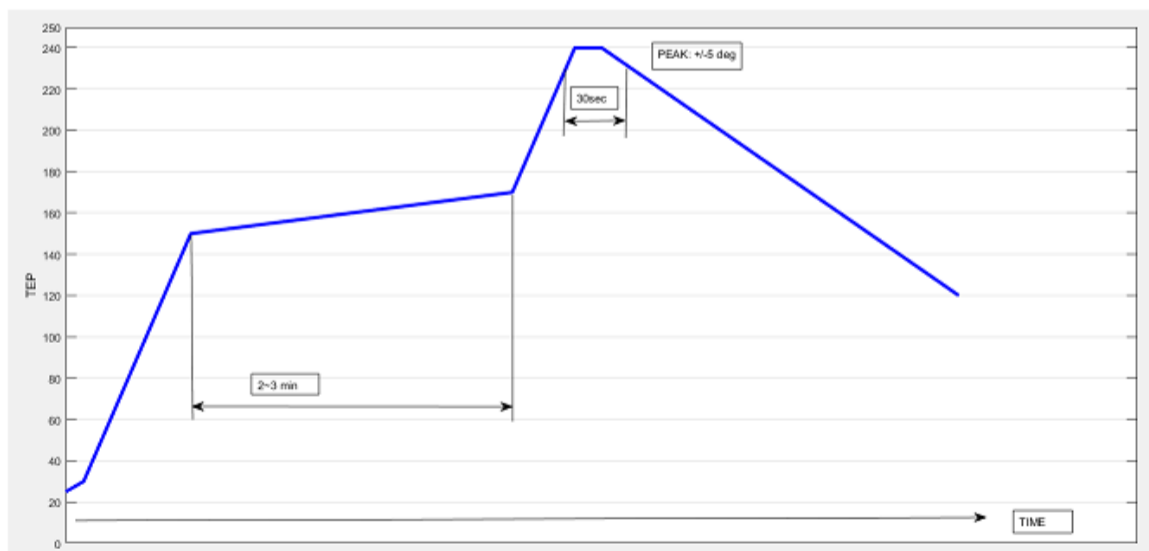
25.0 x 25.0 x 4.0mm
RoHS/RoHS II Compliant
MSL = 1

LAND PATTERN



RECOMMENDED REFLOW SOLDERING PROFILE

Solder Paste: Sn/Ag/Cu: 96.5/3.0/0.5
Recommended reflow condition:





APAKN2504-S2448-T

25.0 x 25.0 x 4.0mm

RoHS/RoHS II Compliant

MSL = 1

PACKAGING

Package is made of corrugated paper with thickness of 0.8cm. The carton has 4 inner boxes; each box has 1 vacuum bag.

Quantity:

Per package base	: 50 elements
Per vacuum bag	: 5 package bases
Per inner box	: 1 vacuum bag
Per package	: 4 inner boxes
No of pieces of elements	: 1000
Gross weight	: 12Kg
Carton dimensions	: 37*37*17cm