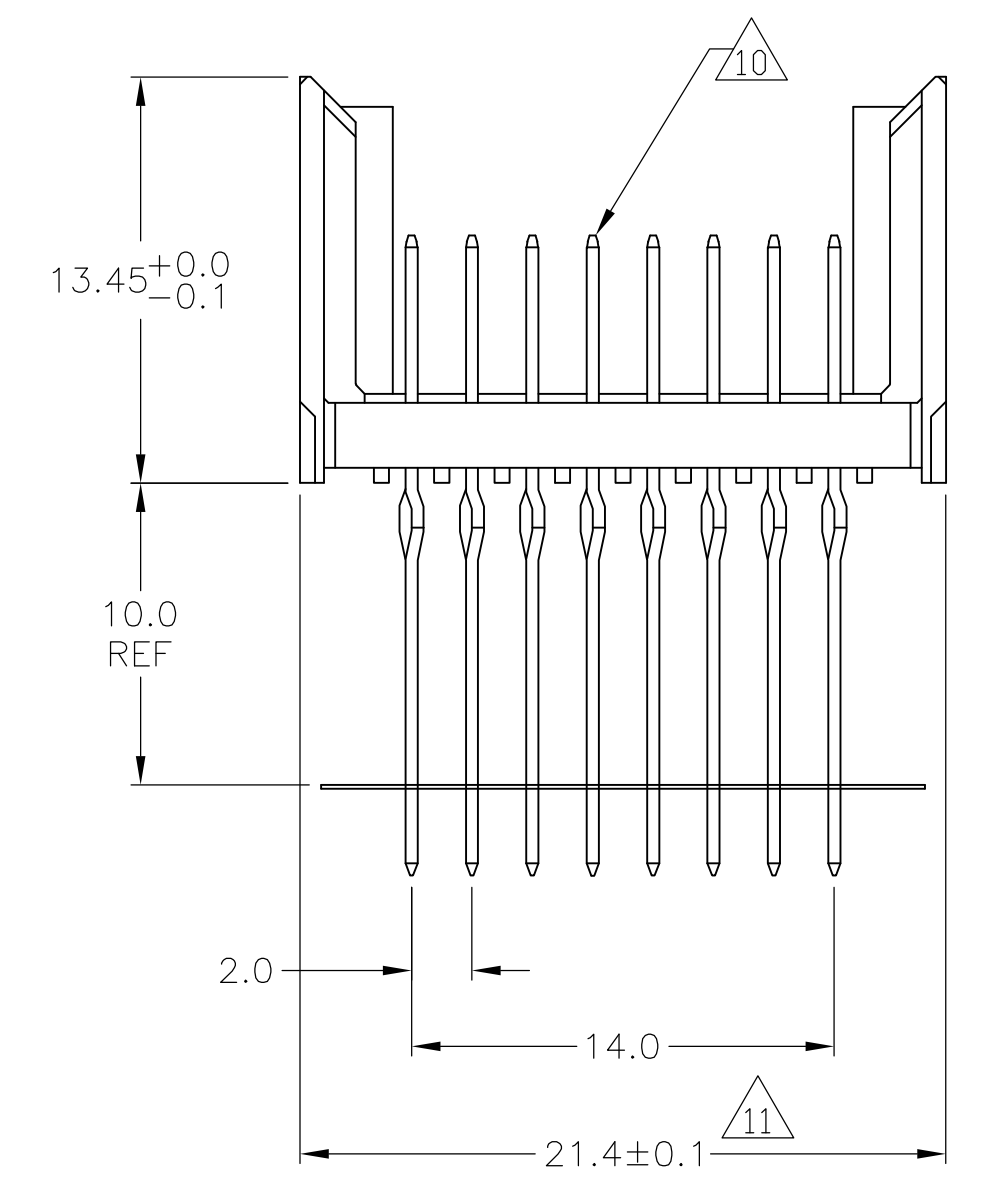
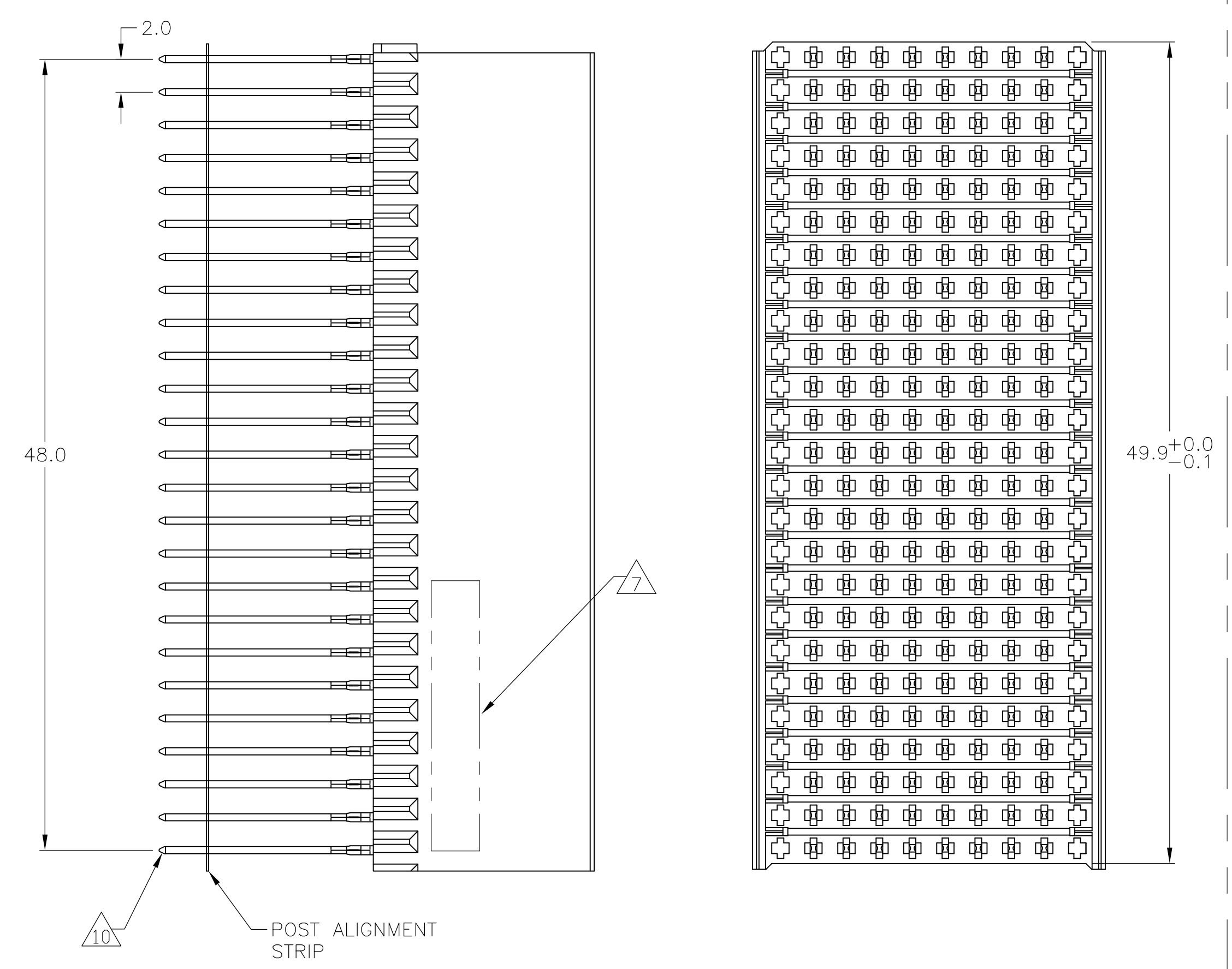
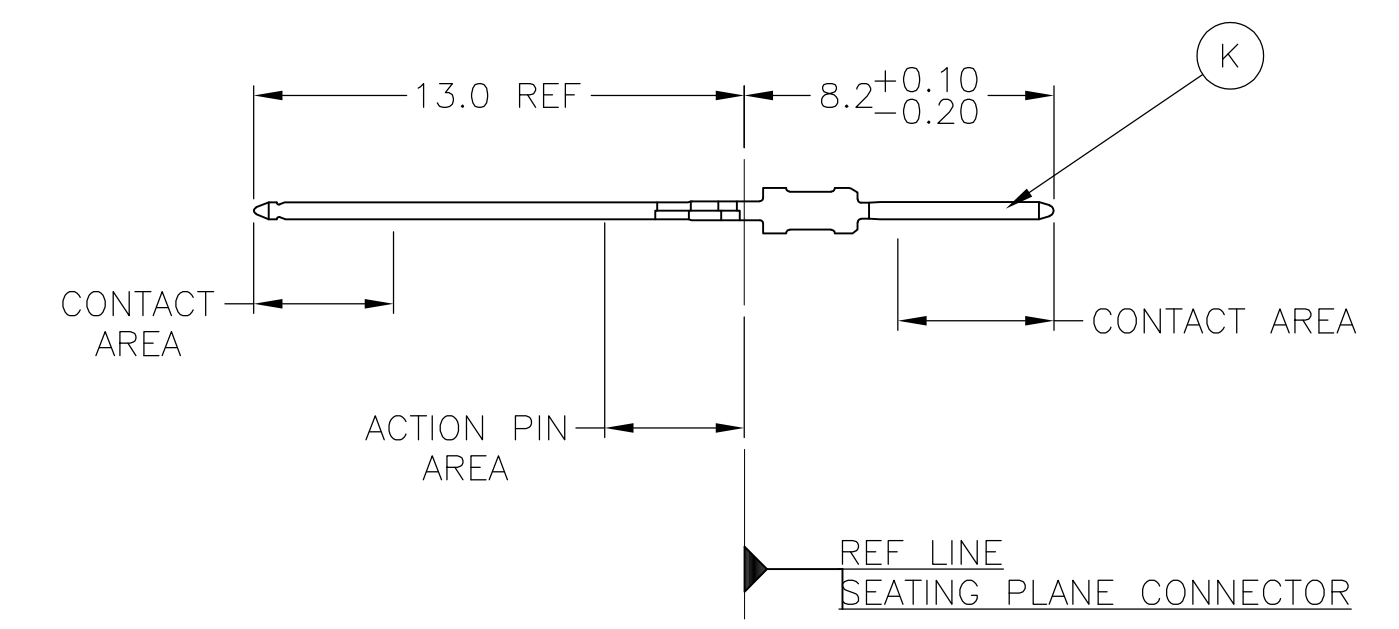


LOC	DIST	REVISIONS			
REV	DATE	DESCRIPTION	DATE	BY	APPV
E1	18JAN2009	REV PER ECR-10-000662	JY	SY	
F	10SEP10	ECR-10-018652	JS	MQW	

### CONNECTOR ASSEMBLY EXAMPLARY LOADED



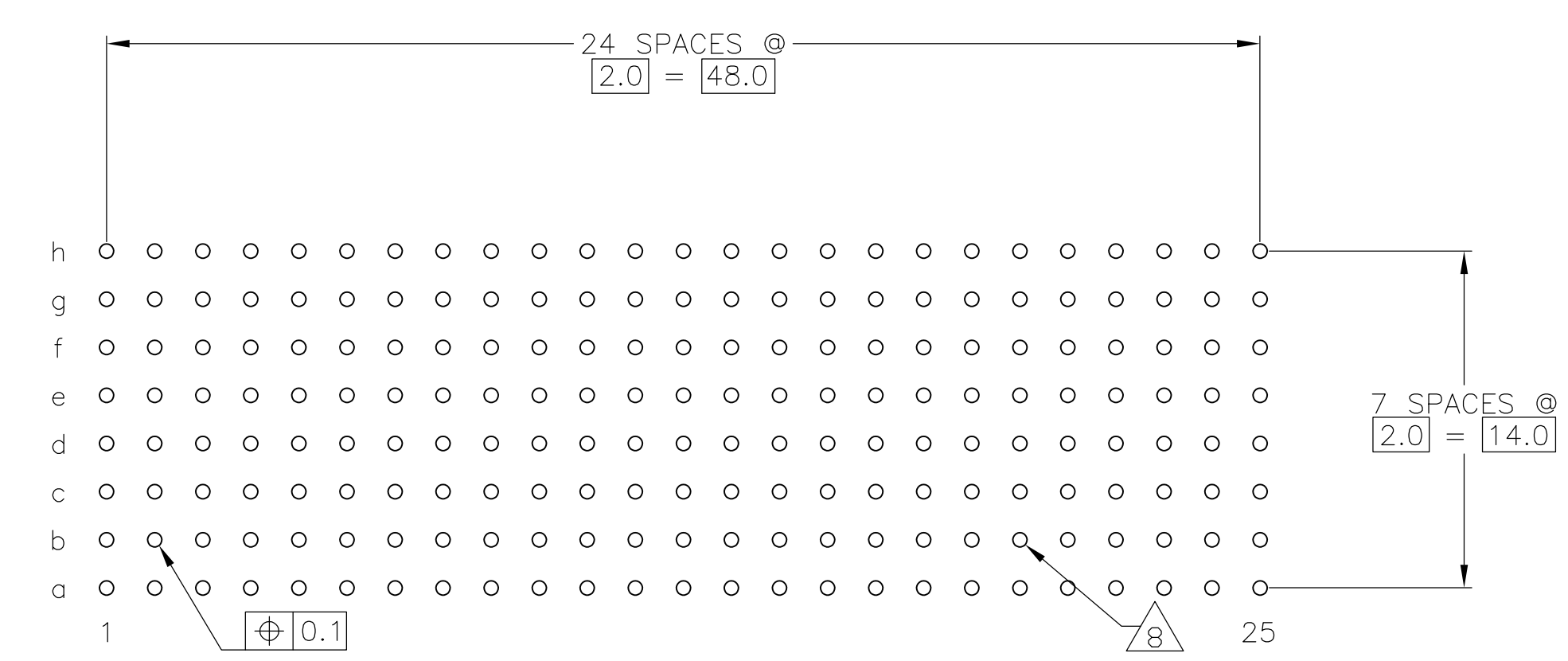
### CONTACT DIMENSIONS SCALE 5:1



### CONTACT LAYOUT

	z	a	b	c	d	e	f	g	h	i
1		K	K	K	K	K	K	K		
2		K	K	K	K	K	K	K		
3		K	K	K	K	K	K	K		
4		K	K	K	K	K	K	K		
5		K	K	K	K	K	K	K		
6		K	K	K	K	K	K	K		
7		K	K	K	K	K	K	K		
8		K	K	K	K	K	K	K		
9		K	K	K	K	K	K	K		
10		K	K	K	K	K	K	K		
11		K	K	K	K	K	K	K		
12		K	K	K	K	K	K	K		
13		K	K	K	K	K	K	K		
14		K	K	K	K	K	K	K		
15		K	K	K	K	K	K	K		
16		K	K	K	K	K	K	K		
17		K	K	K	K	K	K	K		
18		K	K	K	K	K	K	K		
19		K	K	K	K	K	K	K		
20		K	K	K	K	K	K	K		
21		K	K	K	K	K	K	K		
22		K	K	K	K	K	K	K		
23		K	K	K	K	K	K	K		
24		K	K	K	K	K	K	K		
25		K	K	K	K	K	K	K		

### RECOMMENDED PCB-HOLE LAYOUT COMPONENT SIDE SHOWN



### PLATED THRU HOLES PARAMETERS REFERENCE APPLICATION SPECIFICATION

2 3 13	3-646373-0
2 6 12	1-646373-9
2 5 12	646373-9
2 4	646373-4
2 3	646373-1
FINISH	PART NUMBER

THIS DRAWING IS A CONTROLLED DOCUMENT.

DIMENSIONS: mm	TOLERANCES UNLESS OTHERWISE SPECIFIED:	DRAWN: S. WAITMAN 13JUL05	CHK: G. SKIPPER 13JUL05	APPROVED: G. SKIPPER 13JUL05	NAME: Tyco Electronics Corporation Harrisburg, Pa 17105-3608
0-PLC ±	1-PLC ±0.2	PRODUCT SPEC: 108-1622	APPLICATION SPEC: 114-19029	SIZE: A1	CAGE CODE: 00779
MATERIAL: 1	FINISH: SEE TABLE	WEIGHT: -	SCALE: 4:1	SHEET: 1 OF 2	REV: F

LOC		DIST		REVISIONS				
P	LTR	DESCRIPTION	DATE	DN	APVO			
AD	00	SEE SHEET 1	-	-	-			

- 1 MATERIAL:  
CONTACT: PHOSPHOR BRONZE.  
HOUSING: GLASS-FILLED POLYESTER.
- 2 GENERAL PLATING SPECIFICATION: UNDERPLATING  
(ENTIRE CONTACT): 1.27µm MIN NICKEL AND ACTION  
PIN: 0.5µm MIN TIN LEAD.  
FOR PLATING OF MATING SURFACES SEE APPLICABLE  
SPECIFICATION REFERENCE FOR EACH DASH NUMBER.
- 3 CONFORMS TO ALL TESTING ACCORDING TO IEC 61076-4-101  
PERFORMANCE LEVEL 2.
- 4 CONFORMS TO ALL TESTING ACCORDING TO IEC 61076-4-101  
PERFORMANCE LEVEL 1.
- 5 CONNECTOR TESTED AND QUALIFIED AGAINST TELCORDIA GR-1217-CORE QUALITY LEVEL 3,  
CENTRAL OFFICE APPLICATIONS.
- 6 CONNECTOR TESTED AND QUALIFIED AGAINST TELCORDIA GR-1217-CORE QUALITY LEVEL 3,  
UNCONTROLLED ENVIROMENT APPLICATIONS.
- 7 CONNECTOR MARKED WITH PART NUMBER AND DATE CODE.  
ADDITIONAL CHARACTERS OR MARKINGS, AS WELL AS THE LOCATION OF THE MARKINGS,  
MAY BE ADDED FOR TRACEABILITY BASED UPON MANUFACTURERS DISCRETION.
- 8 PLATED-THROUGH HOLES AT 2x2mm SQUARE GRID  
PATTERN DEFINED BY CONTACT LAYOUT.
- 9 FOR ACTUAL PIN LOADING SEE "CONTACT LAYOUT".
- 10 FOR ACTUAL PIN DIMENSIONS SEE "CONTACT DIMENSIONS".
- 11 TO BE MEASURED AT BOTTOM OF SHROUD.
- 12 CONNECTOR LUBRICATED WITH BELCORE APPROVED LUBRICANT,  
TECHNICAL REFERENCE: TR-NWT-001217 ISSUE 1, SEP 1992.
- 13 0.76µm MIN GOLD PLATING AT MATING SURFACES.

THIS DRAWING IS A CONTROLLED DOCUMENT.		DN S. WAITMAN 13JUL05	Tyco Electronics Corporation Harrisburg, Pa 17105-3608	
DIMENSIONS: mm		CHK G. SKIPPER 13JUL05	NAME MALE ASSEMBLY, Z-PACK 2mm HM, TYPE E	
TOLERANCES UNLESS OTHERWISE SPECIFIED: 0-PLG ± 1-PLG ±0.1 2-PLG ± 3-PLG ± 4-PLG ± ANGLES ±1°		APVO G. SKIPPER 13JUL05	PRODUCT SPEC 108-1622	
MATERIAL SEE SHEET 1		FINISH SEE SHEET 1	APPLICATION SPEC 114-19029	RESTRICTED TO -
WEIGHT -		SIZE A1	CAGE CODE 00779	DRAWING NO 646373
CUSTOMER DRAWING		SCALE 4:1	SHEET 2	OF 2
		REV F		