

2-928343-8 ✓ ACTIVE

[RAST | RAST 5 IDC Connectors](#)

TE Internal #: 2-928343-8

Housing, Receptacle, Wire-to-Wire, 8 Position, .197 in [5 mm]

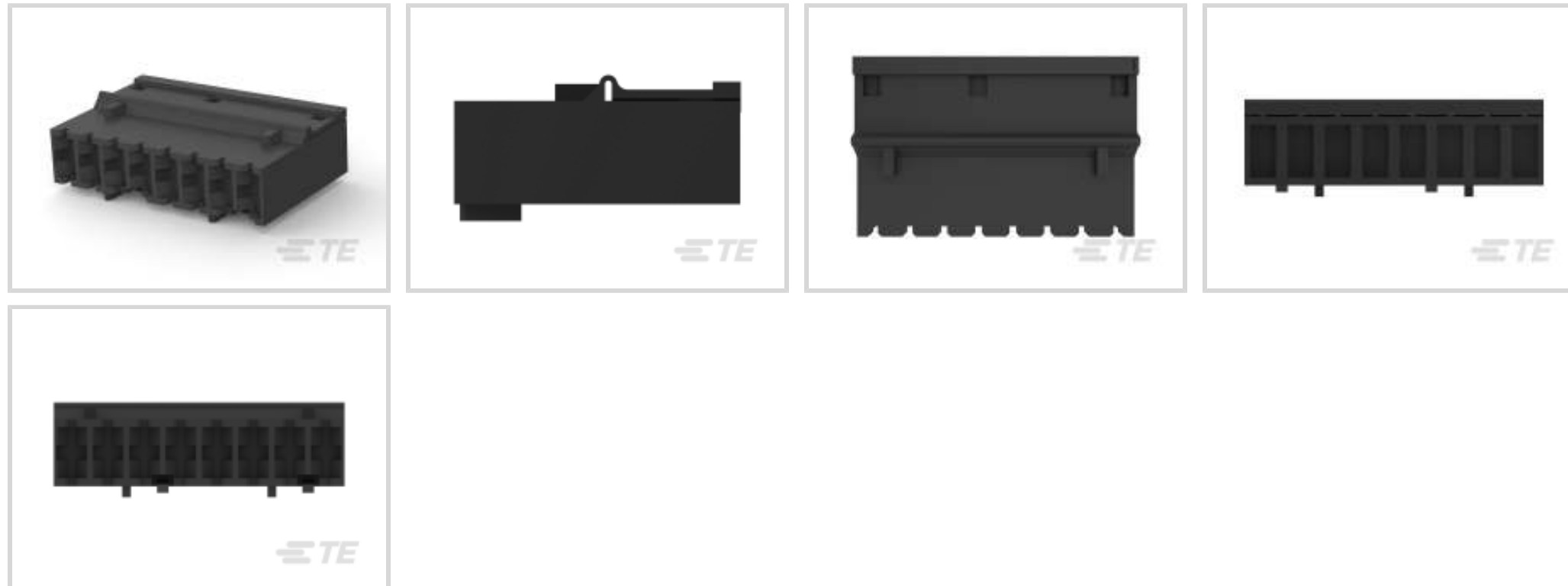
Centerline, Crimp, 1 Row, Black, Mating Retention, Wire & Cable,

RAST 5 IDC Connectors

[View on TE.com >](#)



[Connectors](#) > [PCB Connectors](#) > [Wire-to-Board Connectors](#) > [Wire-to-Board Connector Assemblies & Housings](#)



Connector Product Type: **Housing**

Connector & Housing Type: **Receptacle**

Connector System: **Wire-to-Wire**

Number of Positions: **8**

Centerline (Pitch): **5 mm [.197 in]**

Features

Product Type Features

Connector Product Type	Housing
Connector & Housing Type	Receptacle
Connector System	Wire-to-Wire
Sealable	No
Connector & Contact Terminates To	Wire & Cable

Configuration Features

Keying & Polarized Rib Location	None
Number of Positions	8
Number of Rows	1

Body Features

Primary Product Color	Black
-----------------------	-------

Termination Features

Termination Method to Wire & Cable	Crimp
------------------------------------	-------



Mechanical Attachment

Locking Latch Between Cavity Number	1&2/5&6
Strain Relief	Without
Panel Mount Feature	Without
PCB Mount Retention	Without
Mating Retention Type	Latch
Mating Retention	With
Connector Mounting Type	Cable Mount (Free-Hanging)

Housing Features

Housing Material	PA 6.6
Centerline (Pitch)	5 mm [.197 in]

Dimensions

Connector Length	40 mm [1.574 in]
Connector Height	12.2 mm [.48 in]

Usage Conditions

Operating Temperature Range	-55 – 105 °C [-67 – 221 °F]
-----------------------------	-----------------------------

Operation/Application

Circuit Application	Power & Signal
---------------------	----------------

Industry Standards

RAST Version	None
Glow Wire Rating	Standard Part - Not Glow Wire
UL Flammability Rating	UL 94V-2

Packaging Features

Packaging Quantity	1000
Packaging Method	Carton

Other

Discrete Wire Connector Comment	Tab Housing uses FASTIN-FASTON .250 series Tabs.
---------------------------------	--

Product Compliance

For compliance documentation, visit the product page on [TE.com](https://www.te.com)>

EU RoHS Directive 2011/65/EU	Compliant
------------------------------	-----------

EU ELV Directive 2000/53/EC

Compliant

China RoHS 2 Directive MIIT Order No 32, 2016

No Restricted Materials Above Threshold

EU REACH Regulation (EC) No. 1907/2006

Current ECHA Candidate List: JUNE 2023 (235)

Candidate List Declared Against: JAN 2023 (233)

Does not contain REACH SVHC

Halogen Content

Low Halogen - Br, Cl, F, I < 900 ppm per homogenous material. Also BFR/CFR/PVC Free

Solder Process Capability

Not applicable for solder process capability

Product Compliance Disclaimer

This information is provided based on reasonable inquiry of our suppliers and represents our current actual knowledge based on the information they provided. This information is subject to change. The part numbers that TE has identified as EU RoHS compliant have a maximum concentration of 0.1% by weight in homogenous materials for lead, hexavalent chromium, mercury, PBB, PBDE, DBP, BBP, DEHP, DIBP, and 0.01% for cadmium, or qualify for an exemption to these limits as defined in the Annexes of Directive 2011/65/EU (RoHS2). Finished electrical and electronic equipment products will be CE marked as required by Directive 2011/65/EU. Components may not be CE marked. Additionally, the part numbers that TE has identified as EU ELV compliant have a maximum concentration of 0.1% by weight in homogenous materials for lead, hexavalent chromium, and mercury, and 0.01% for cadmium, or qualify for an exemption to these limits as defined in the Annexes of Directive 2000/53/EC (ELV). Regarding the REACH Regulation, the information TE provides on SVHC in articles for this part number is based on the latest European Chemicals Agency (ECHA) 'Guidance on requirements for substances in articles' posted at this URL: <https://echa.europa.eu/guidance-documents/guidance-on-reach>

Compatible Parts



TE Part # 928343-3
STD-TIMER GEH 3P



TE Part # 928343-2
STD-TIM GEH 2P



TE Part # 928343-8
STD-TIMER GEH 8P



TE Part # 928343-6
STD-TIM GEH 6P



TE Part # 3-928343-8
STD-TIMER GEH 8P



TE Part # 928343-5
5P STD-TIMER GEH



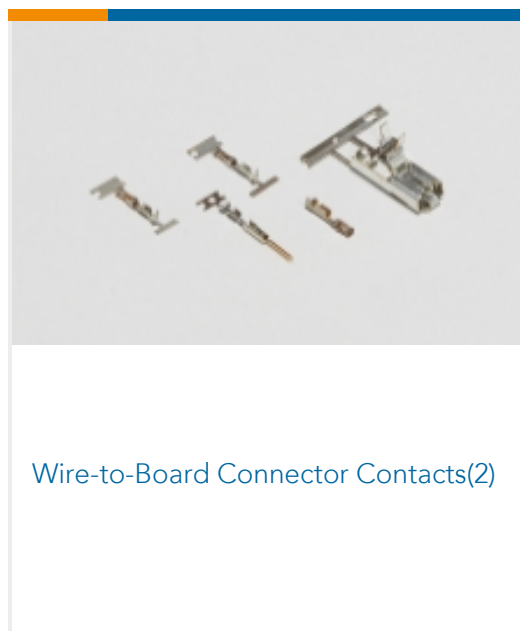
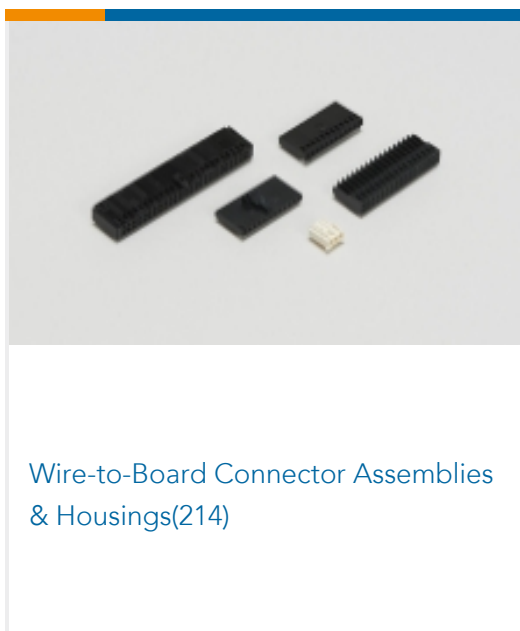
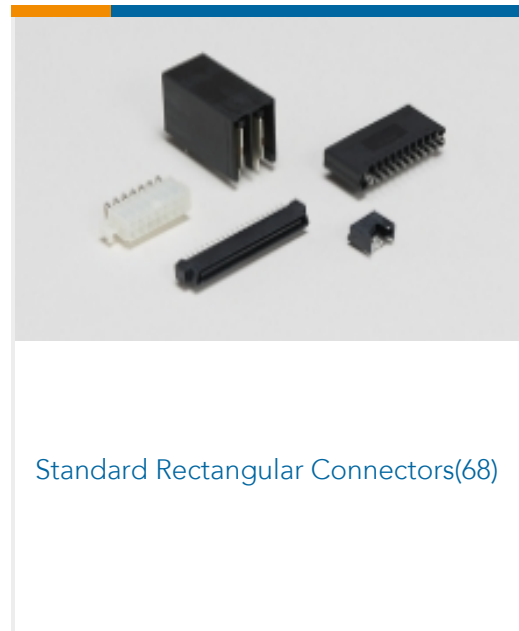
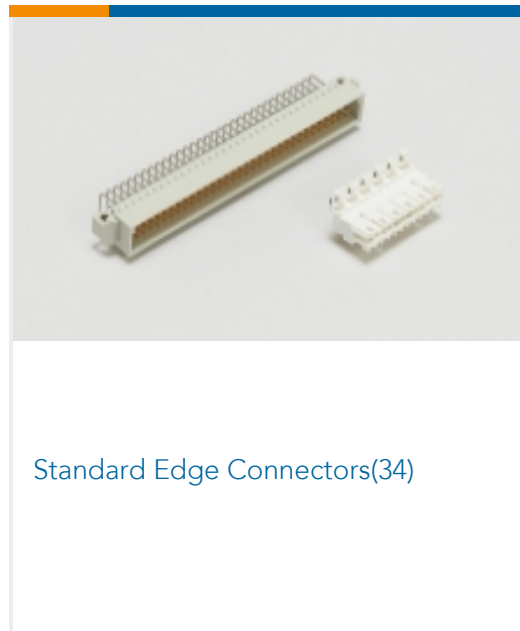
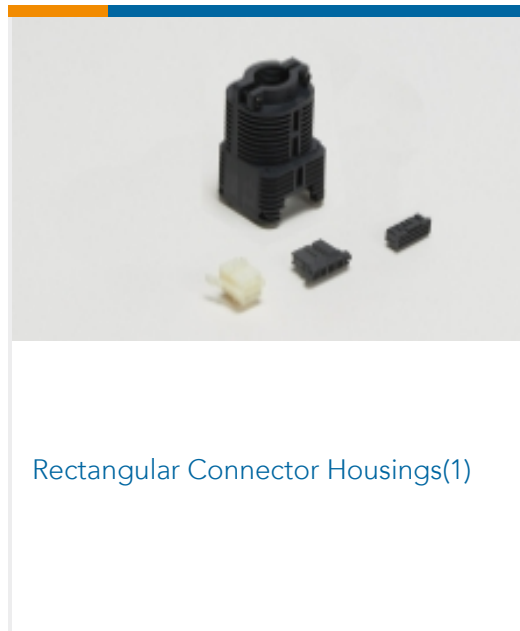
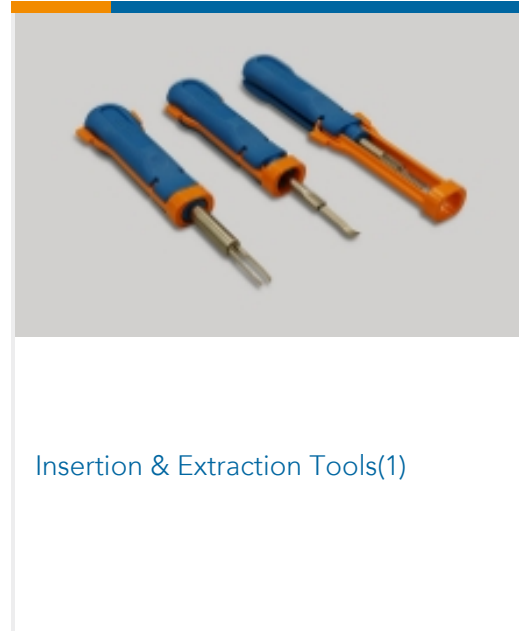
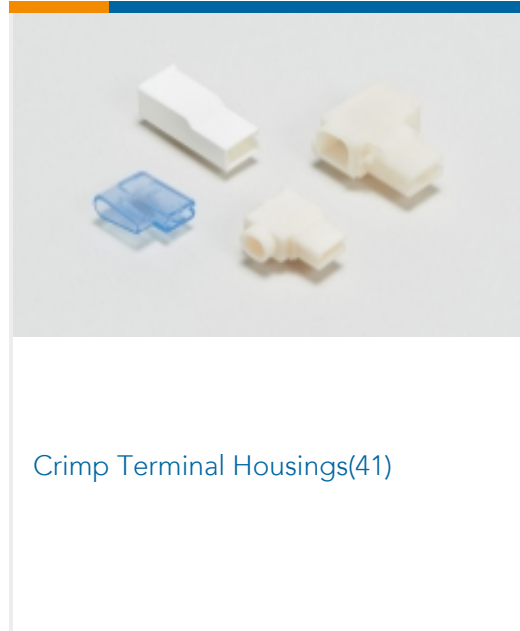
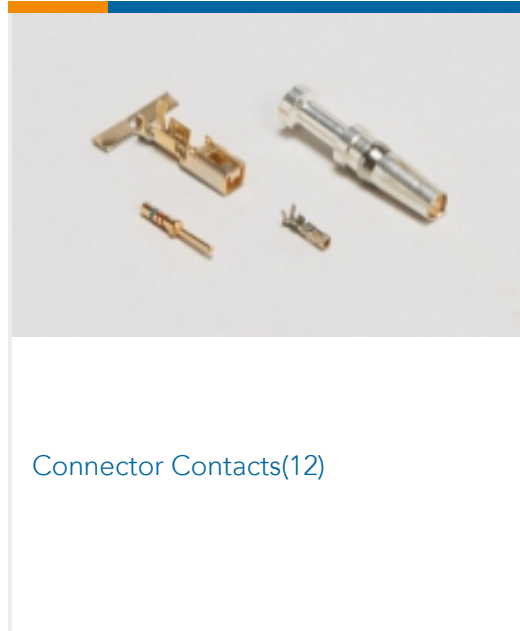
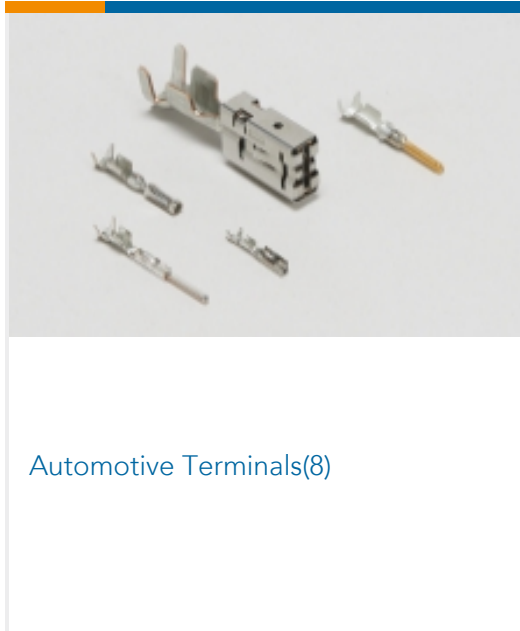
TE Part # 2-928343-5
5P STD-TIMER GEH



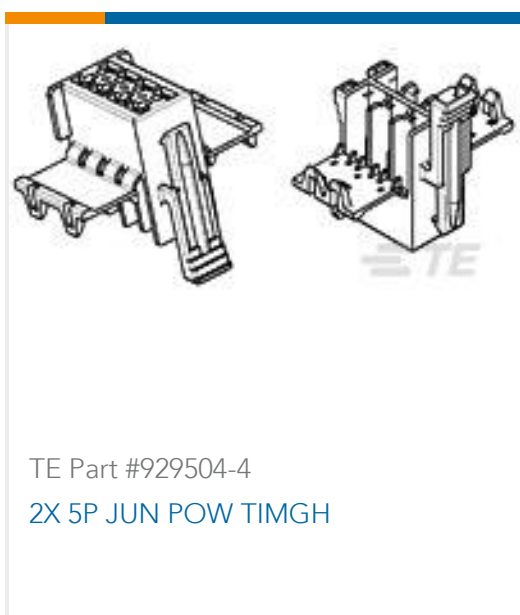
TE Part # 2-928343-7
7P STD-TIMER GEH

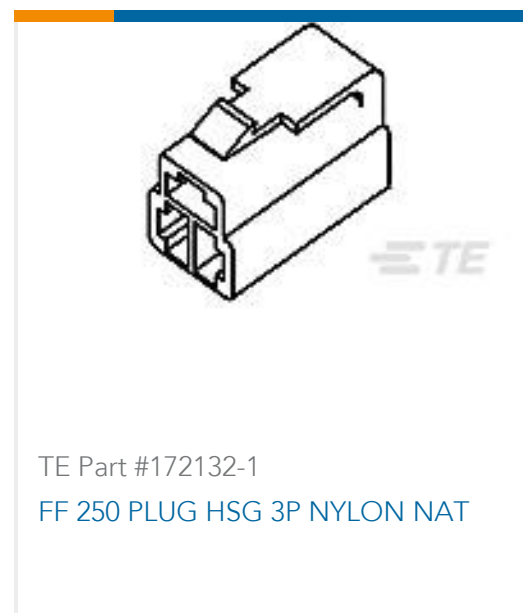


Also in the Series | RAST 5 IDC Connectors



Customers Also Bought





Documents

Product Drawings

STD-TIMER GEH 8P

English

CAD Files

3D PDF

3D

Customer View Model

[ENG_CVM_CVM_2-928343-8_B.2d_dxf.zip](#)

English

Customer View Model

[ENG_CVM_CVM_2-928343-8_B.3d_igs.zip](#)

English

Customer View Model

[ENG_CVM_CVM_2-928343-8_B.3d_stp.zip](#)

English

By downloading the CAD file I accept and agree to the [Terms and Conditions](#) of use.

Datasheets & Catalog Pages

1654742_HOUSEHOLD_APPLIANCES_RAST5

English

Product Environmental Compliance

MD_2-928343-8_06062015351_dmtec

English

MD_2-928343-8_06062015351_dmtec

English

2-928343-8

Housing, Receptacle, Wire-to-Wire, 8 Position, .197 in [5 mm] Centerline, Crimp, 1 Row, Black, Mating Retention, Wire & Cable, RAST 5 IDC Connectors

