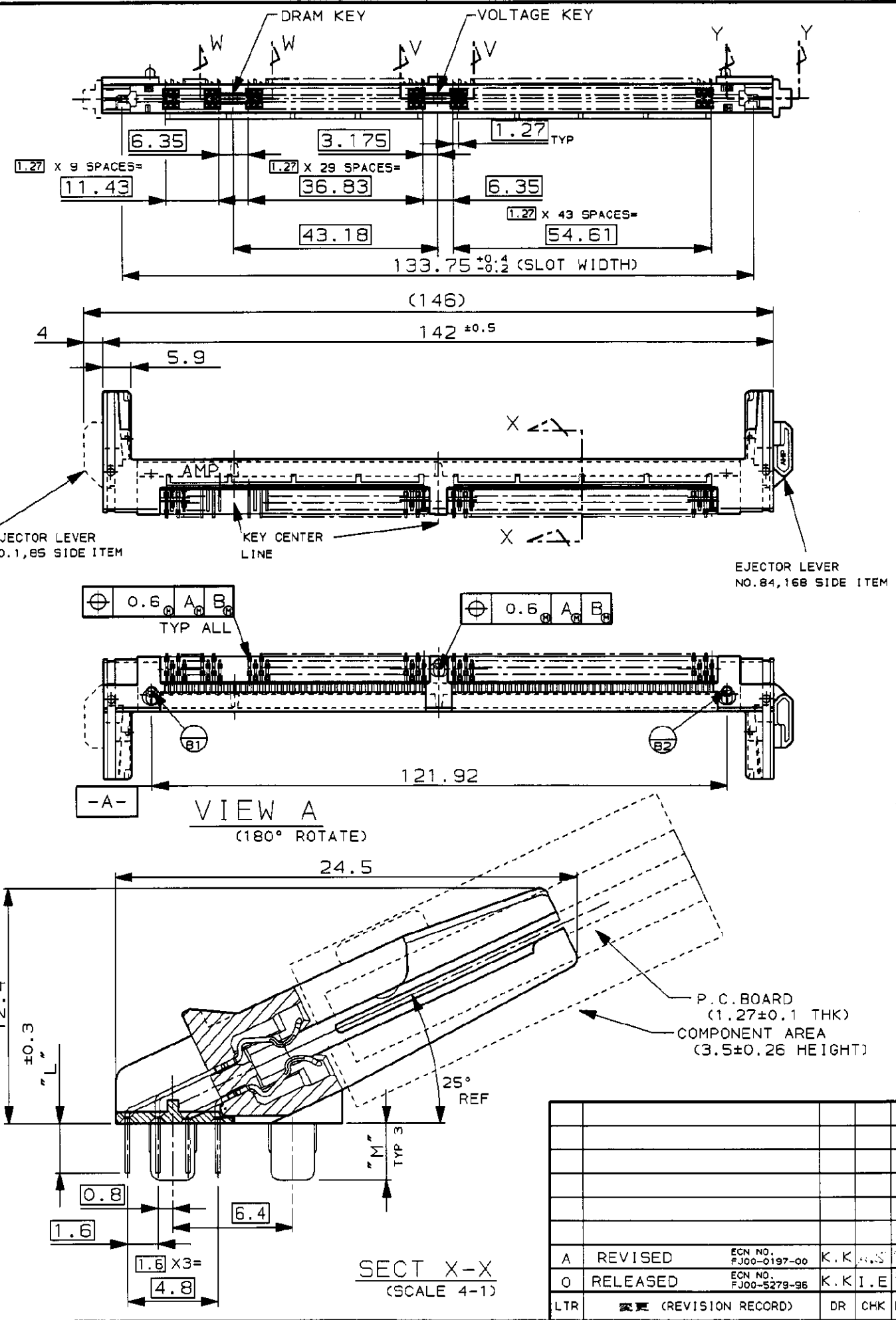
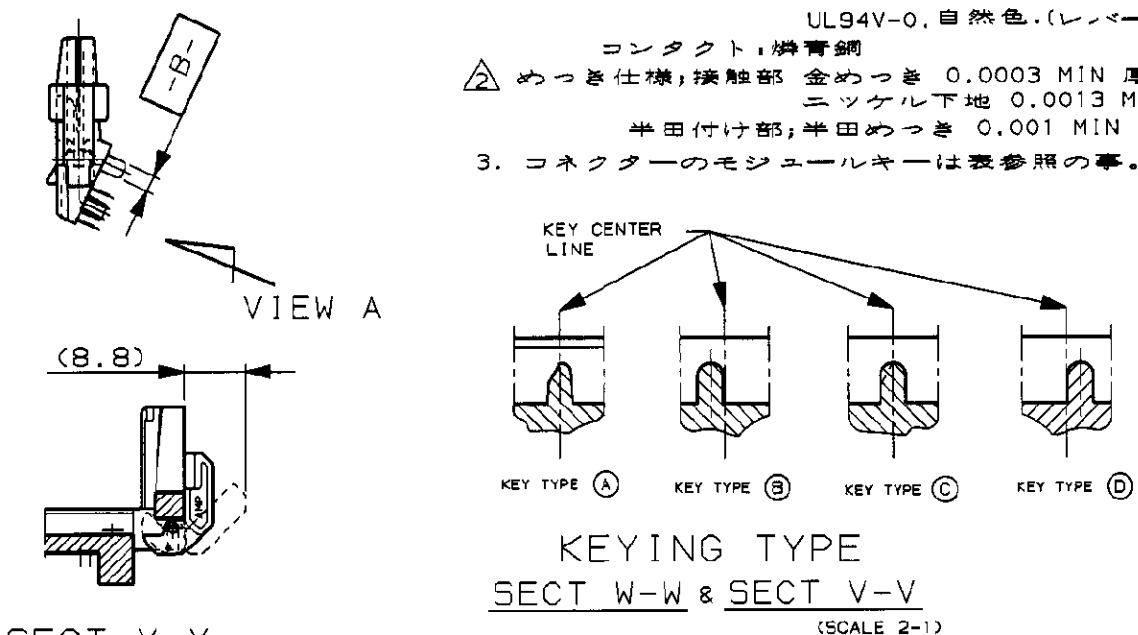


NUMBER C-353476  
 METRIC  
 PROJECT NO. 696-105  
 PRINT DIST  
 AMP-J010-2C  
 REV. 3/93



NOTES,  
 1 MATERIAL, HOUSING & EJECTOR LEVER:  
 L.C.P (HIGH TEMP THERMO PLASTIC)  
 UL 94V-0, NATURAL. (LEVER; BLACK)  
 CONTACT: PHOS-BRZ  
 2 FINISH; CONTACT AREA: 0.0003 MIN GOLD ON  
 0.0013 MIN ALL OVER NICKEL.  
 SOLDERING AREA: 0.001 MIN TIN-LEAD.  
 3. MODULE KEY POSITION OF CONNECTOR SEE TABLE.

注記,  
 1 材料;ハウジング & エジエクターレバー:  
 L.C.P (耐熱熱可塑性樹脂)  
 UL94V-0, 自然色. (レバー; 黒色)  
 コンタクト, 燐青銅  
 2 めっき仕様; 接触部 金めっき 0.0003 MIN 厚  
 ニッケル下地 0.0013 MIN 厚  
 半田付け部; 半田めっき 0.001 MIN 厚  
 3. コネクターのモジュールキーは表参照の事。



3	3	RESERVED 5.0V	CIRCUIT NO. 84, 168 SIDE	(D)	(B)	168	2-353476-1
		RESERVED 3.3V		(D)	(C)		1- -2
		RESERVED 5.0V	CIRCUIT NO. 84, 168 SIDE	(D)	(B)	168	1-353476-1
		RESERVED 3.3V		(D)	(C)		1- -2
2.6	3	RESERVED 5.0V	CIRCUIT NO. 1, 85 SIDE	(D)	(B)	168	353476-1
±0.3 "L"	"M"	REMARKS (POWER SUPPLY)	EJECTOR LEVER MOUNT SIDE	KEYING TYPE		POS	PART NO.

A REVISED		ECN NO. FJ00-0197-00	K.K.	27-AUG-'96	Copyright ©1996 Tyco Electronics AMP K.K. ALL RIGHTS RESERVED.		AMP Tyco Electronics AMP K.K. Kawasaki, Japan	
O RELEASED		ECN NO. FJ00-5279-96	K.K.I.E.	27-AUG-'96	Copyright ©1996 Tyco Electronics AMP K.K. ALL RIGHTS RESERVED.		Tyco Electronics AMP K.K. Kawasaki, Japan	
LTR 変更 (REVISION RECORD)		DR	CHK	DATE	DR. K. KOBAYASHI 27-AUG-'96		DE. K. KOBAYASHI 27-AUG-'96	
		CHK. I. ENOMOTO 27-AUG-'96			APP. Y. YOSHIMURA 27-AUG-'96			
A REVISION		ECN NO. FJ00-0197-00	K.K.	27-AUG-'96	DR. K. KOBAYASHI 27-AUG-'96		DE. K. KOBAYASHI 27-AUG-'96	
O RELEASED		ECN NO. FJ00-5279-96	K.K.I.E.	27-AUG-'96	CHK. I. ENOMOTO 27-AUG-'96		APP. Y. YOSHIMURA 27-AUG-'96	
LTR 変更 (REVISION RECORD)		DR	CHK	DATE	DR. K. KOBAYASHI 27-AUG-'96		DE. K. KOBAYASHI 27-AUG-'96	
		CHK. I. ENOMOTO 27-AUG-'96			APP. Y. YOSHIMURA 27-AUG-'96			

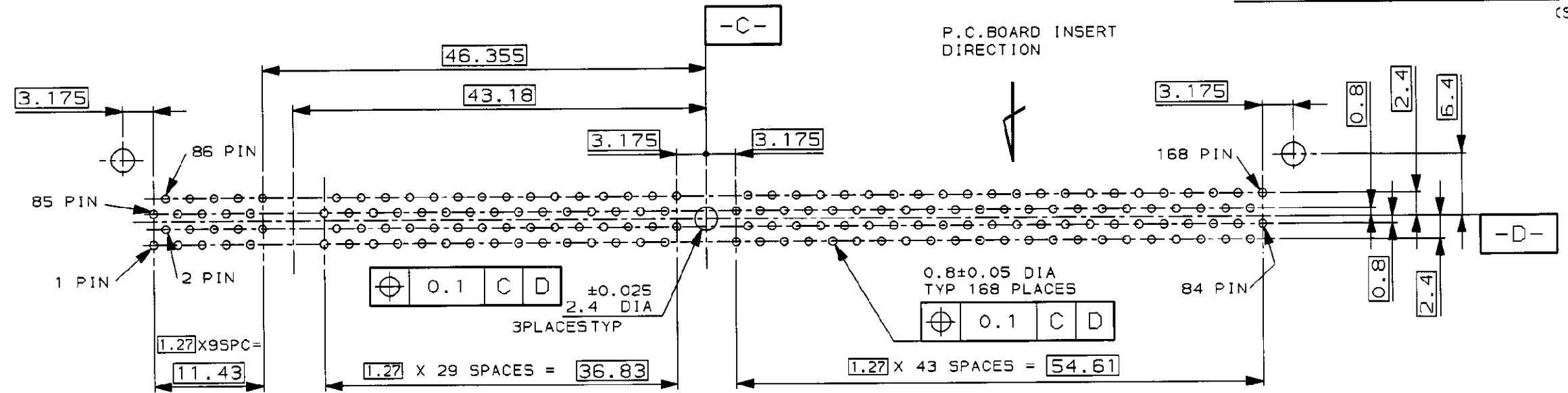
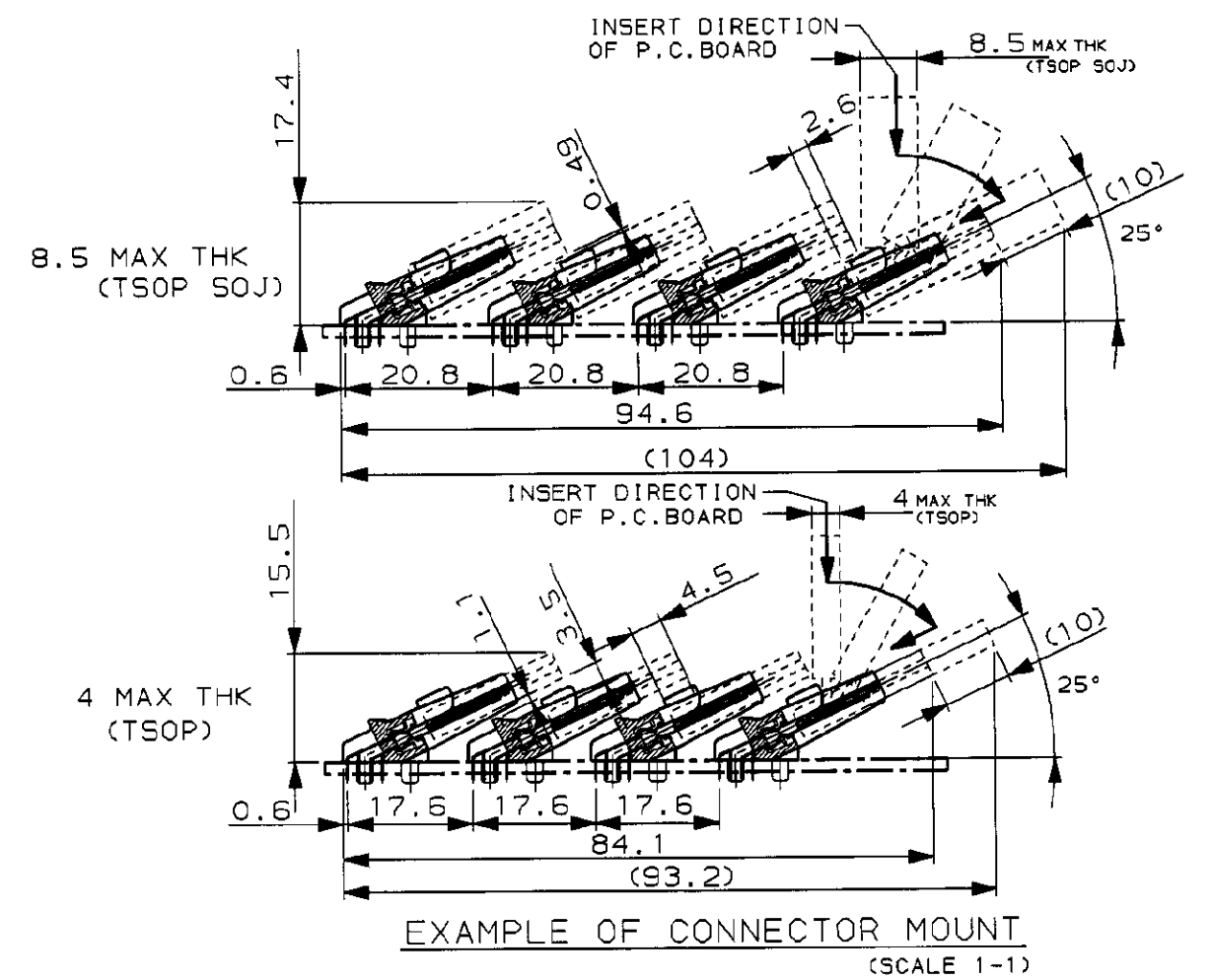
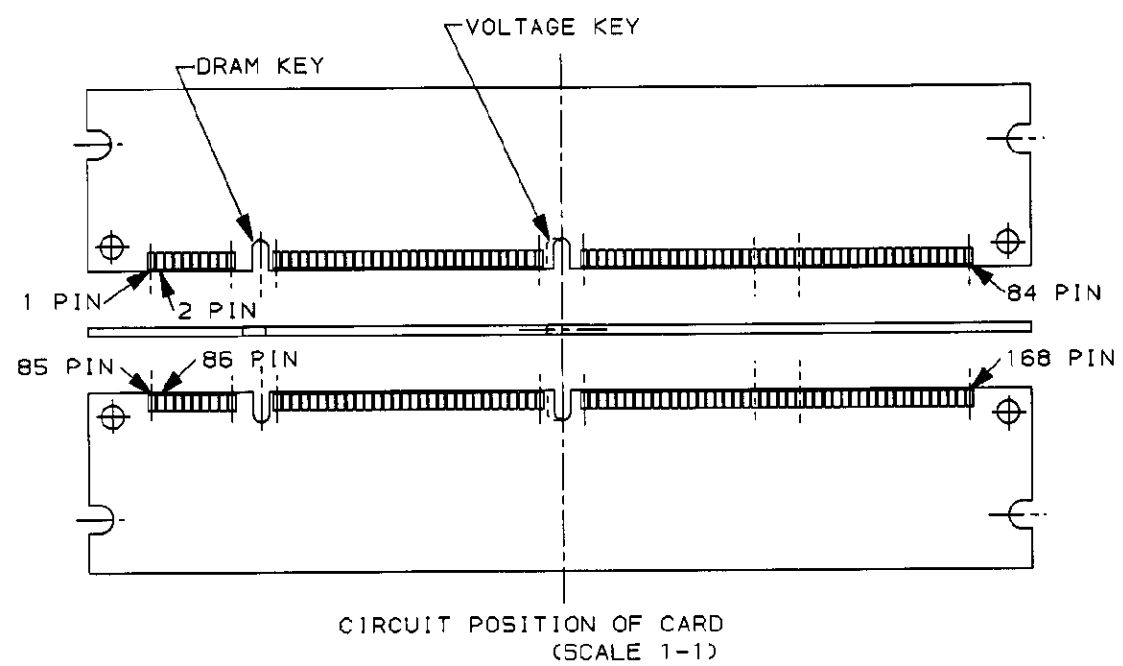
(CUSTOMER DRAWING) 参考 図 面

NUMBER  
C-353476

METRIC  
三 角 錐 (3rd ANGLE PROJECTION)

METRIC

PRINT DIST  
DIMENSIONS IN MM. DO NOT SCALE PRINT  
PROJ. NO. 696-105

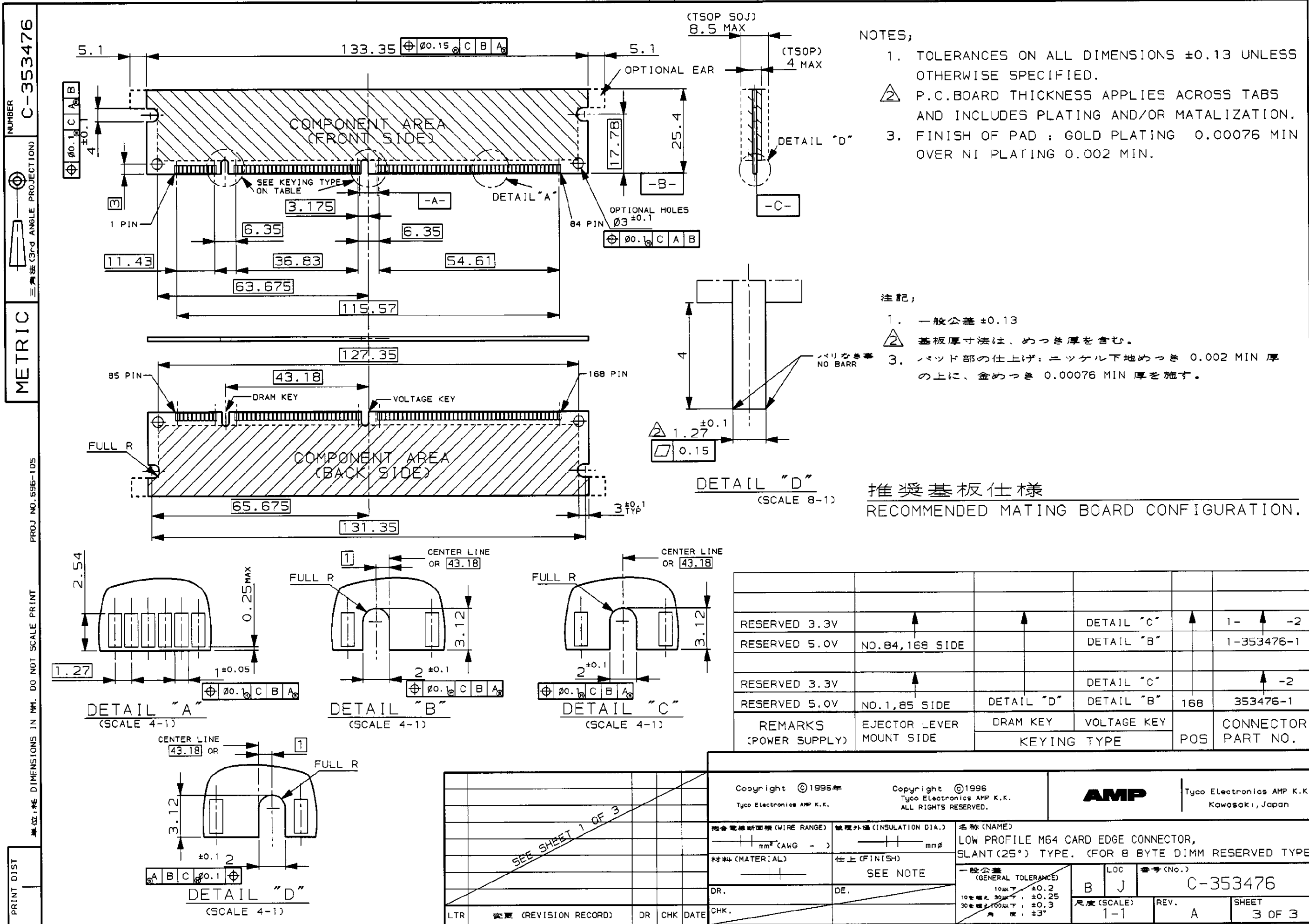


推奨取付け穴仕様 (コネクタ一取付け側)  
RECOMMENDED P.C. BOARD HOLE LAYOUT  
(CONNECTOR MOUNTING SIDE)  
推奨基板厚  
P.C. BOARD THK 1.6 ±0.1

SEE SHEET 1 OF 3

LTR	変更 (REVISION RECORD)	DR	CHK	DATE	CHK.
-----	----------------------	----	-----	------	------

Copyright ©1996年 Tyco Electronics AMP K.K.	Copyright ©1996 Tyco Electronics AMP K.K. ALL RIGHTS RESERVED.	<b>AMP</b>	Tyco Electronics AMP K.K. Kawasaki, Japan
包合電線断面積 (WIRE RANGE) mm <sup>2</sup> (AWG - )	被覆外径 (INSULATION DIA.) mmφ	名称 (NAME) LOW PROFILE M64 CARD EDGE CONNECTOR, SLANT (25°) TYPE. (FOR 8 BYTE DIMM RESERVED TYPE)	
材料 (MATERIAL)	仕上 (FINISH)	一般公差 (GENERAL TOLERANCE) 10以下 ±0.2 10を超え 30以下 ±0.25 30を超え 100以下 ±0.3 角 度: ±3°	番号 (No.) C-353476
DR.	DE.	尺度 (SCALE) 2-1	REV. A
DR.	DE.	LOC B J	SHEET 2 OF 3



- NOTES;
1. TOLERANCES ON ALL DIMENSIONS  $\pm 0.13$  UNLESS OTHERWISE SPECIFIED.
  2. P.C.BOARD THICKNESS APPLIES ACROSS TABS AND INCLUDES PLATING AND/OR METALLIZATION.
  3. FINISH OF PAD : GOLD PLATING 0.00076 MIN OVER NI PLATING 0.002 MIN.

- 注記;
1. 一般公差  $\pm 0.13$
  2. 基板厚寸法は、めっき厚を含む。
  3. パッド部の仕上げ: ニッケル下地めっき 0.002 MIN 厚の上に、金めっき 0.00076 MIN 厚を施す。

推奨基板仕様  
RECOMMENDED MATING BOARD CONFIGURATION.

RESERVED 3.3V			DETAIL "C"	1-	-2
RESERVED 5.0V	NO.84, 168 SIDE		DETAIL "B"	1-	353476-1
RESERVED 3.3V			DETAIL "C"		-2
RESERVED 5.0V	NO.1, 85 SIDE	DETAIL "D"	DETAIL "B"	168	353476-1
REMARKS (POWER SUPPLY)	EJECTOR LEVER MOUNT SIDE	DRAM KEY	VOLTAGE KEY	POS	CONNECTOR PART NO.
		KEYING TYPE			

Copyright ©1995年 Tyco Electronics AMP K.K.		Copyright ©1996 Tyco Electronics AMP K.K. ALL RIGHTS RESERVED.		<b>AMP</b> Tyco Electronics AMP K.K. Kawasaki, Japan	
包含電線断面積 (WIRE RANGE)	被覆外径 (INSULATION DIA.)	名称 (NAME) LOW PROFILE M64 CARD EDGE CONNECTOR, SLANT (25°) TYPE. (FOR 8 BYTE DIMM RESERVED TYPE)			
材料 (MATERIAL)	仕上 (FINISH)	一般公差 (GENERAL TOLERANCE)			
DR.	DE.	10mm以下: $\pm 0.2$	LOC	番号 (No.)	
CHK.		10mm以上 30mm以下: $\pm 0.25$	B	J	C-353476
LTR 変更 (REVISION RECORD) DR CHK DATE		30mm以上 100mm以下: $\pm 0.3$	尺度 (SCALE)		REV.
		角 度: $\pm 3^\circ$	1-1		A
			SHEET		3 OF 3

NUMBER C-353476  
 METRIC  
 三角法 (3rd ANGLE PROJECTION)  
 PROJ NO. 696-105  
 単位: 概 DIMENSIONS IN MM. DO NOT SCALE PRINT  
 PRINT DIST  
 AMP-J010-2C  
 REV. 3/99