

NOTES:

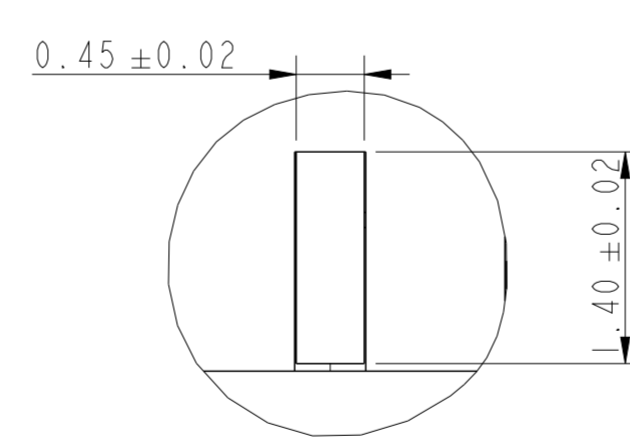
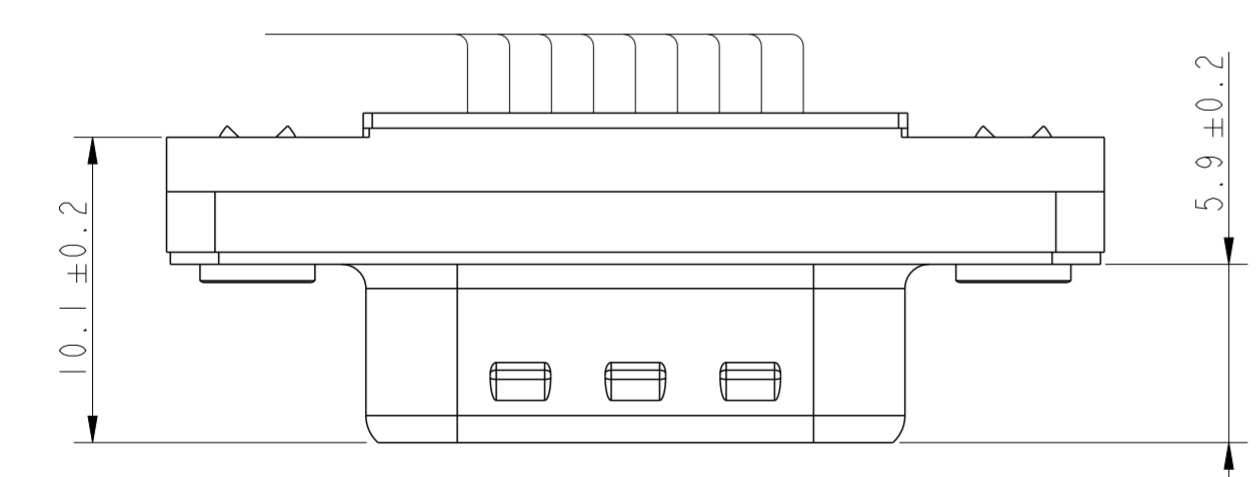
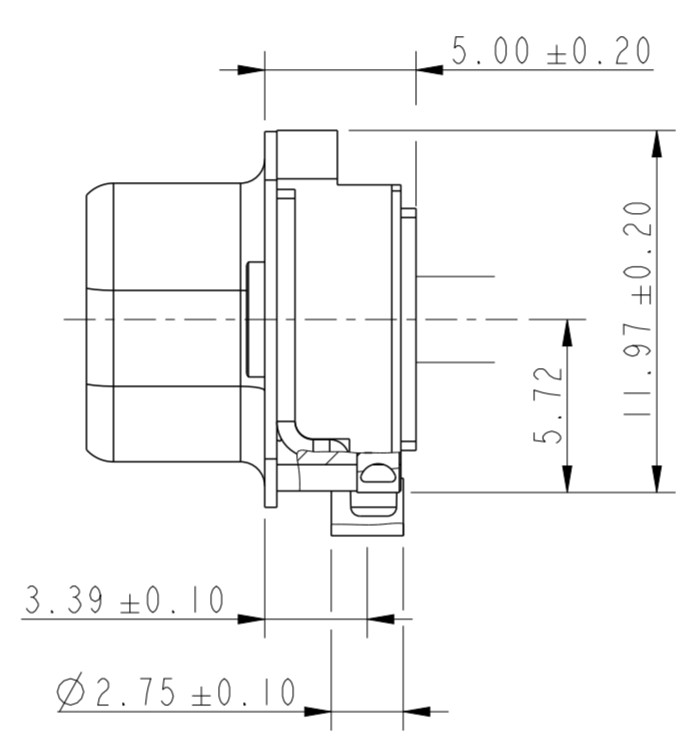
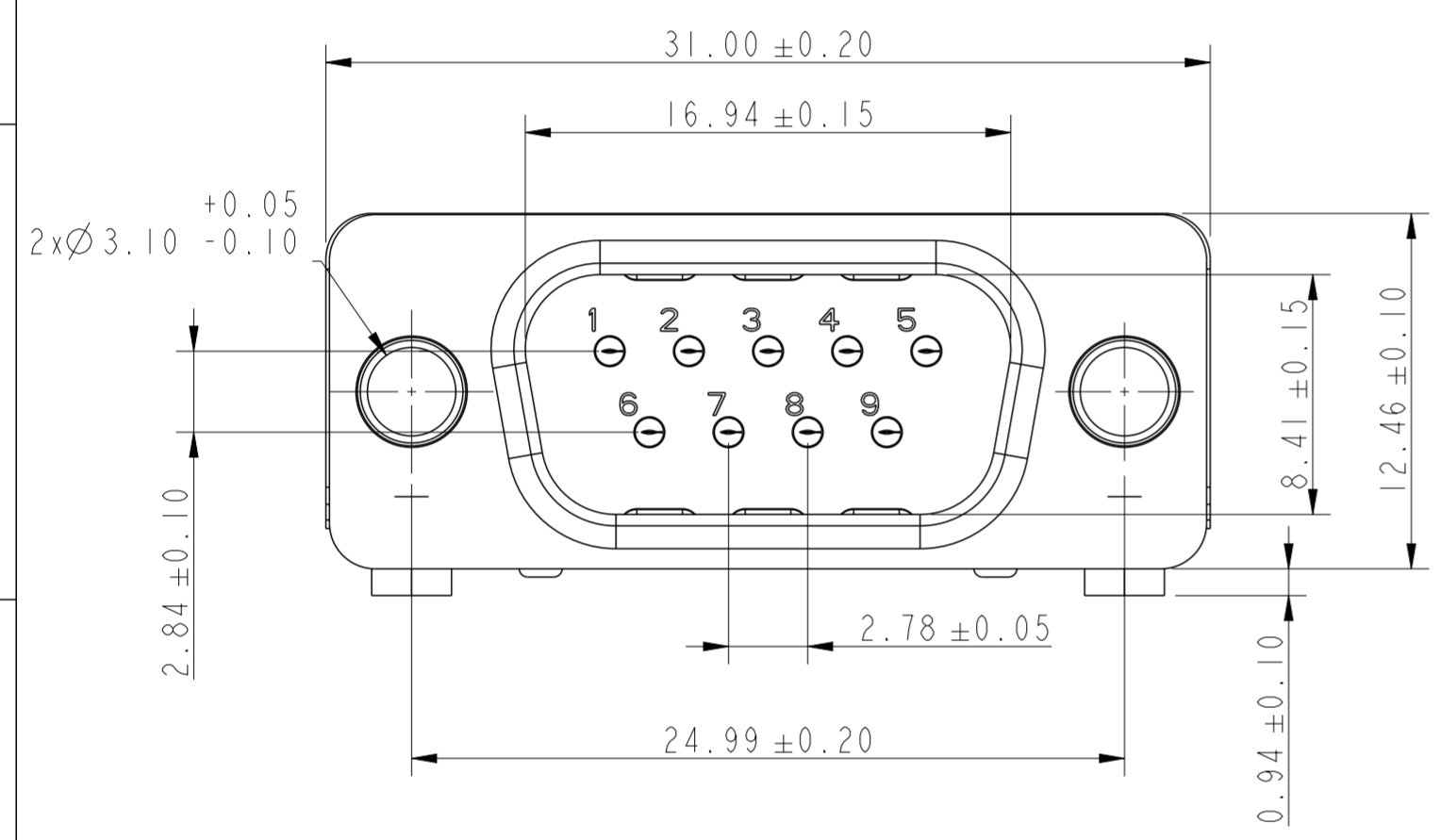
- PHYSICAL CHARACTERISTICS
- INSULATOR MATERIAL : LCP 30% GF
  - CONTACT MATERIAL : COPPER ALLOY
  - GROUNDING MATERIAL : BRASS

- ELECTRICAL CHARACTERISTICS
- NOMINAL CURRENT : 4A per contact
  - CONTACT RESISTANCE : <25mΩ
  - VOLTAGE PROOF : >1000 V.r.m.s.
  - RATED VOLTAGE : 300 V.r.m.s.
  - Insulation resistance : >5000MΩ
  - Average wiping length : 2mm

COPLANARITY AREA OF TERMINATION : <=0.1mm

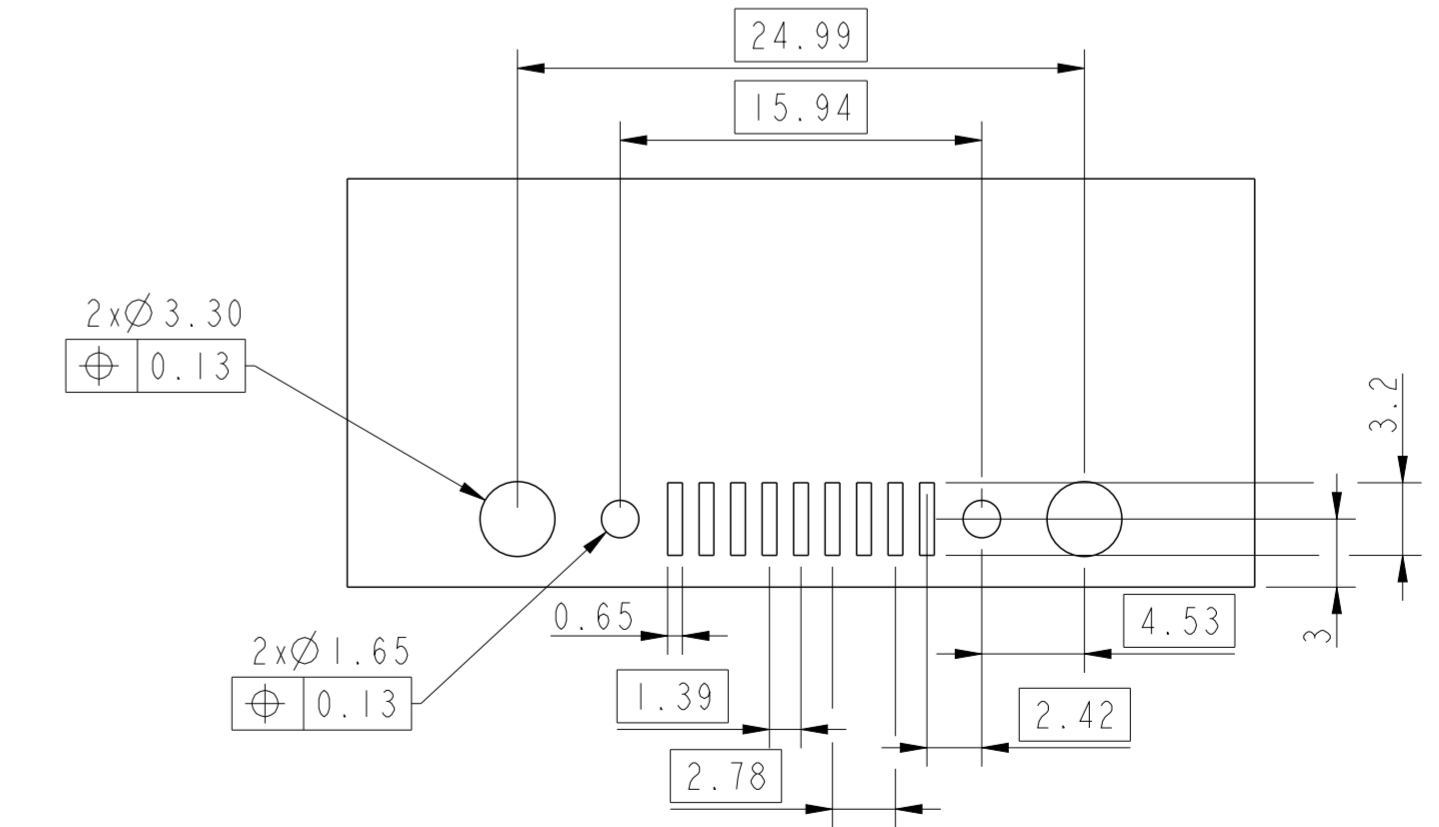
NOTE RoHS INFORMATIONS

- The "LF" products meet European union Directives and other country regulations as described in GS-47-0004
- The housing will withstand exposure to 260 C peak temperature for 3.5 seconds in a reflow solder application with a 1.6 mm minimum thick circuit board.



DETAIL A(20:1)

RECOMMENDED PCB LAYOUT(1.6mm)



PART NUMBER	DESCRIPTION
D09P71S6GA00LF	Harpoons + Std.Hole + ele.continuity + Tray packing
D09P71S6GA12LF	Harpoons + Std.Hole + ele.continuity + Tape & Reel packing
D09P71S6GX12LF	Harpoons + Insert UNC 4-40 + ele.continuity + Tape & Reel packing
D09P71S6GL12LF	Harpoons + Insert M3 + ele.continuity + Tape & Reel packing

spec ref	dr	Sreeraj K-R	2020/05/14	projection	mm	size	A2	scale	4:1			
tolerance std	eng	Gregar Mathew	2020/11/04		mm	ecn no	ELX-38851-1	rel level	Released			
ISO 406	chr	-	2020/11/04									
ISO 1302	appr	Kuriakosa, San	2020/11/04	product family	D SUB	rel level	Released					
surface	linear	0.X	±0.30	<b>Amphenol FCI</b>		title	Dsub SMT Slimline		dwg no	10155375	rev	B
ISO 1302	angular	0.XX	±0.10			09 position Male connector			Product - Customer Drw	sheet 1 of 1		
		0.XXX	±0.005			cat. no.						