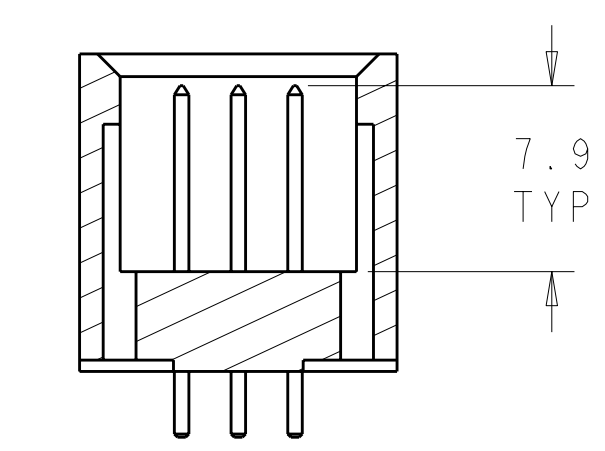
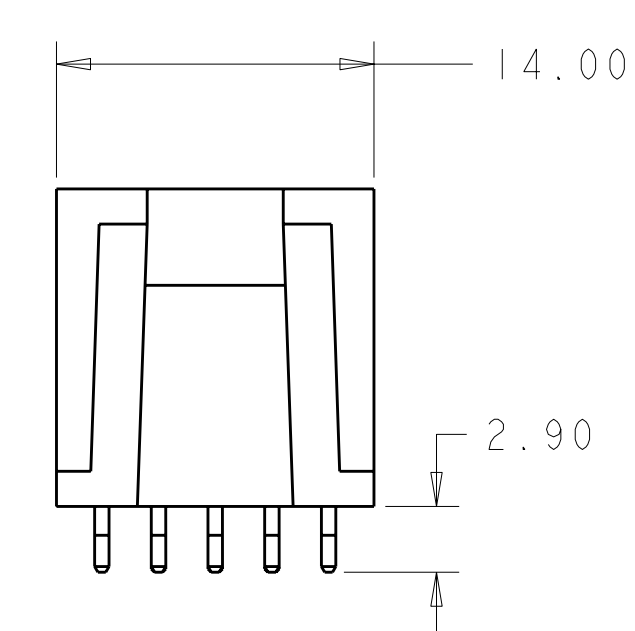
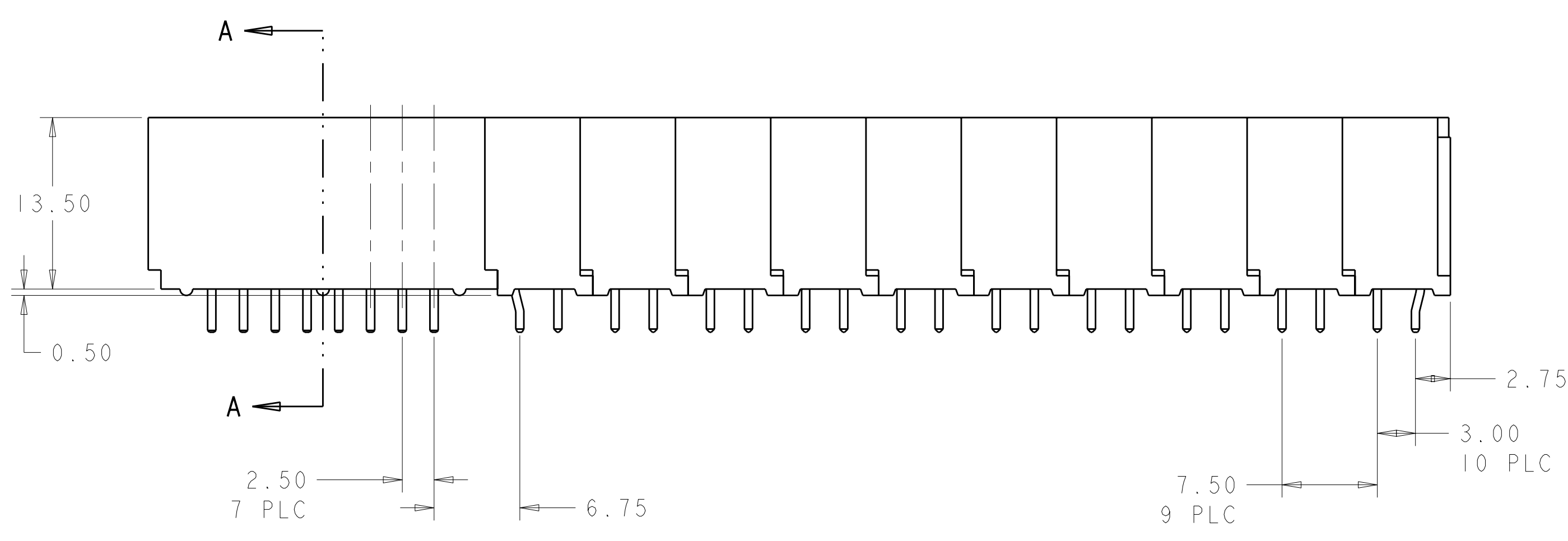
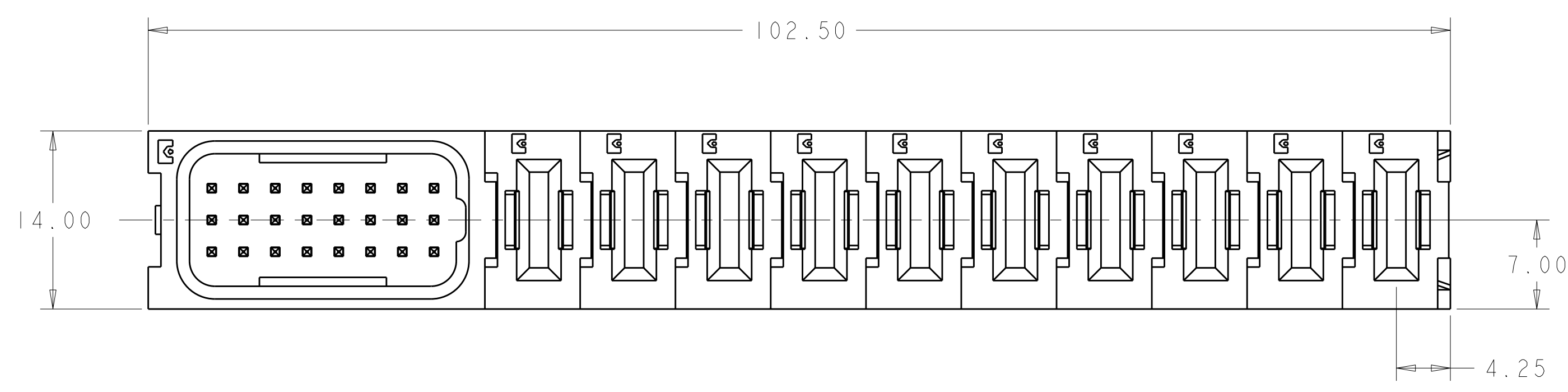


LOC	DIST	REVISIONS					
GP	00	P	LTB	DESCRIPTION	DATE	DWN	APVD
		1		PRELIMINARY DRAWING	07FEB2012	OL	SZ
		2		ADD 1 POWER PER REQUEST	15FEB2012	OL	SZ
		A		FIRST RELEASE	20FEB2012	OL	SZ



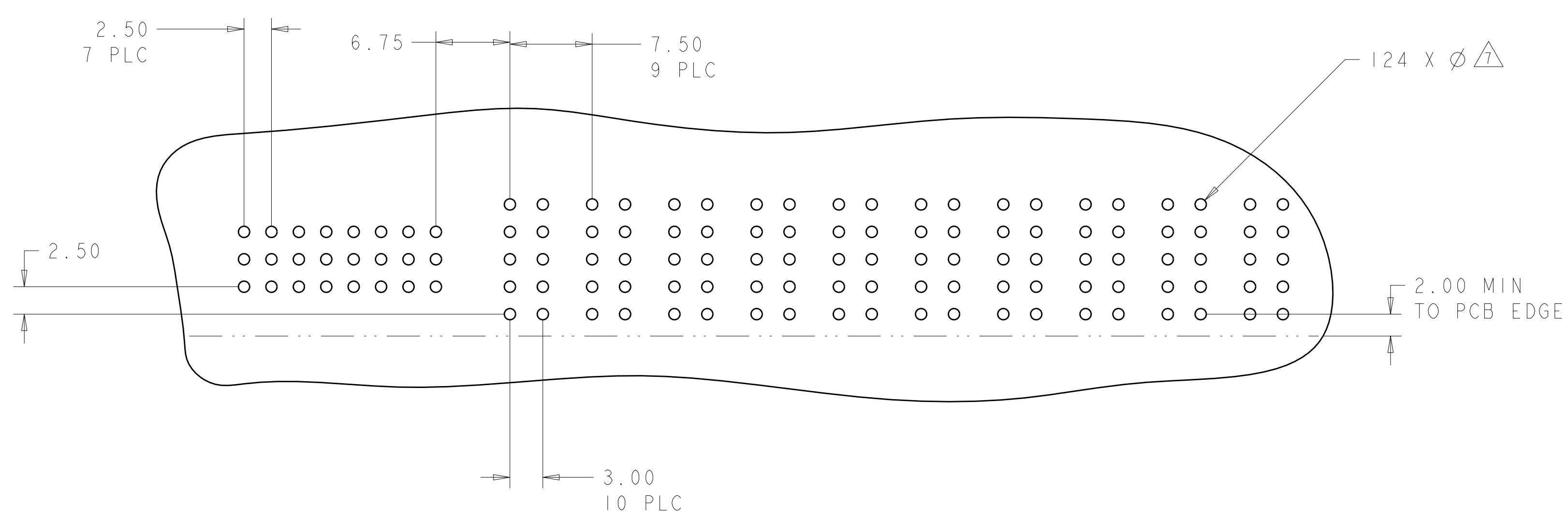
1. PART NUMBER CHANGES AND OR DESIGN CHANGES AFFECTING ITEM INTERCHANGEABILITY REQUIRE PRIOR TYCO ELECTRONICS APPROVAL AND AUTHORIZATION BY REVISION TO THIS DRAWING.
2. MATERIAL:
 - INSULATORS - THERMOPLASTIC, GLASS REINFORCED, COLOR: BLACK UL94V-0 FLAMMABILITY RATED.
 - POWER CONTACTS - PHOSPHOR BRONZE ALLOY, COPPER ALLOY
 - SOLDER SIGNAL PIN - BRASS ALLOY
 - CROWN BAND-BERYLLIUM COPPER ALLOY
3. FINISH:
 - CONTACTS - GOLD PLATE 0.76µm MIN. THK., OVER NICKEL 1.27µm MIN. THK
 - SOLDER TAILS, TIN 3.05µm MIN. THK. OVER NICKEL 1.27µm MIN. THK
4. ITEMS PROVIDED TO THIS SPECIFICATION TO BE PERMANENTLY IDENTIFIED PER THE FOLLOWING IDENTIFIER LABEL

TYCO ELECTRONICS P/N: XXXXXXXX-X
 DATE CODE: XXXX
 YEAR WEEK: (e.g. 0106)

ELCON FLATPAQ

AS SHOWN		1892813-1	
DESCRIPTION		PART NUMBER	
DIMENSIONS: mm 9 PLC ±.5 1 PLC ±.5 5 PLC ±.25 4 PLC ±.5 ANGLES ±.3 FINISH -		DWN: ORANDO LI 07FEB2012 CHK: SUNY ZHAO 07FEB2012 APVD: SUNY ZHAO 07FEB2012 PRODUCT SPEC: - APPLICATION SPEC: - WEIGHT: - CUSTOMER DRAWING	
Tyco Electronics Harrisburg, PA 17105-3608		NAME: SOCKET CONNECTOR, STRAIGHT SOLDER TAILS W/ KINKED FLATPAQ SIZE: A 00779 C=1892813 SCALE: 3:1 SHEET: 1 OF 3 REV: A	

LOC	DIST	REVISIONS					
GP	00	P	LTB	DESCRIPTION	DATE	DWN	APVD
		-	-	SEE SHEET 1	-	-	-

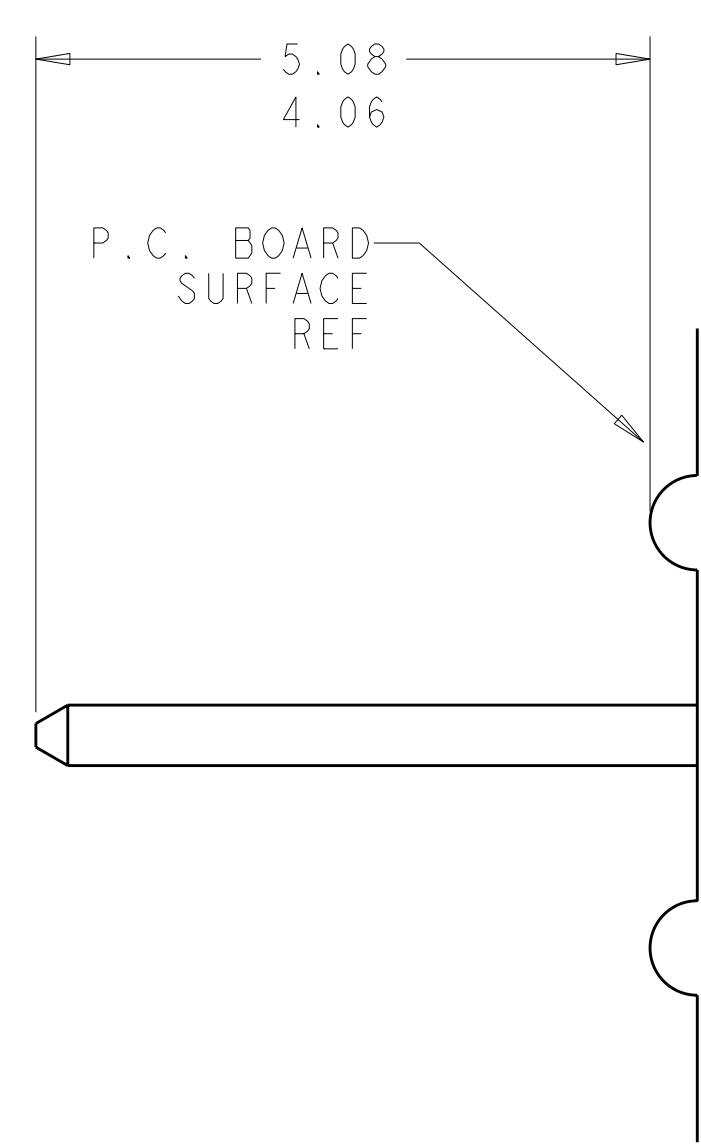


PRINTED CIRCUIT LAYOUT
 COMPONENT SIDE

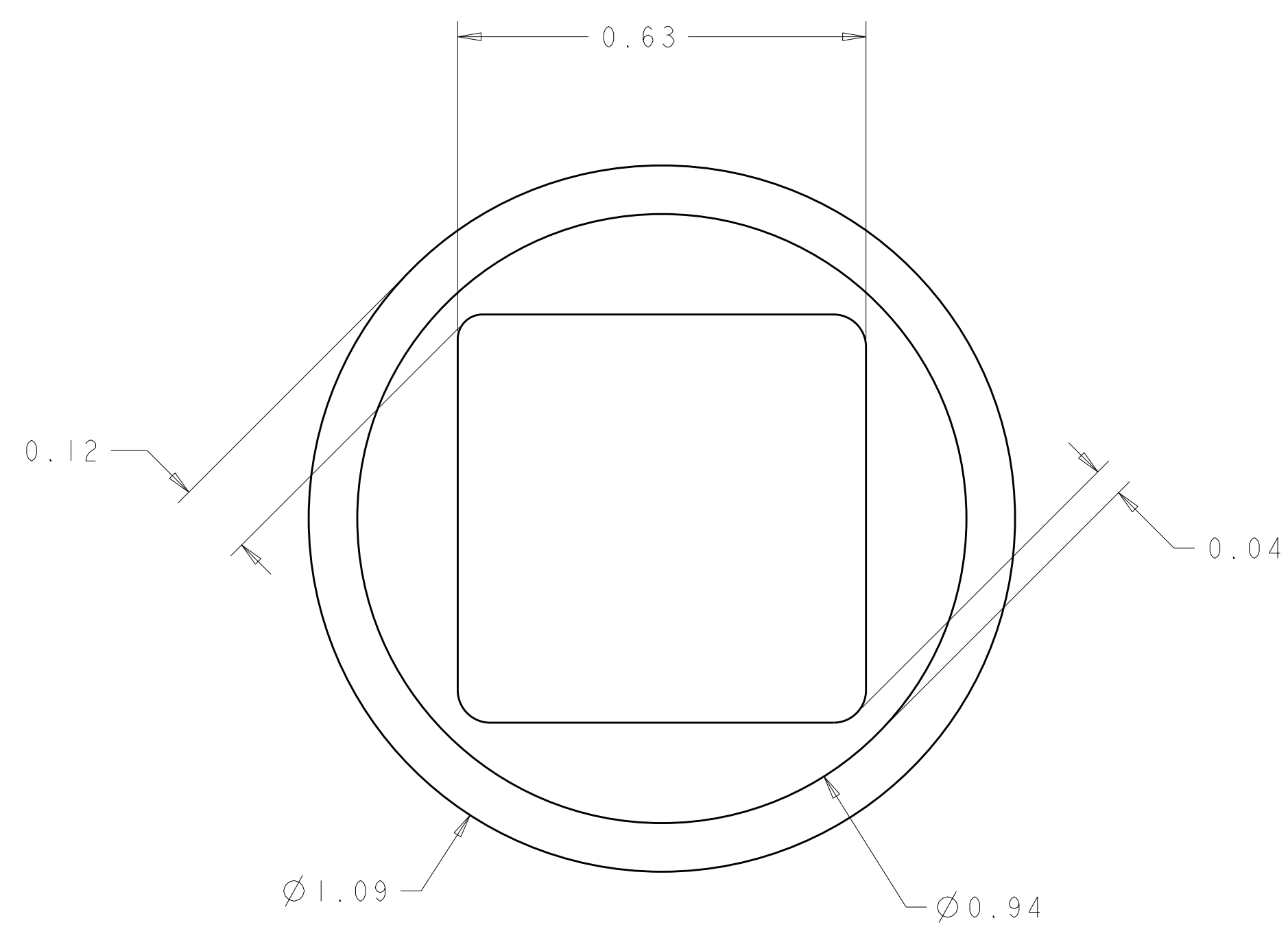
CONNECTOR	CATALOG MODULE #	QTY	SIZE NO.	CONTACT QTY	MAX. CURRENT (PER CONTACT)	CONTACT SPACING	VOLTAGE RATING
SOCKET	FP150	10	-	10	35 amps	7.50 [.2953]	250 VOLTS
	FP300	1	-	24	3 amps	2.50 [.0984]	125 VOLTS

<small>THIS DRAWING IS UNPUBLISHED. RELEASED FOR PUBLICATION BY TYCO ELECTRONICS CORPORATION. IT IS SUBJECT TO CHANGE WITHOUT NOTICE AND WITHOUT OBLIGATION TO BE CONTACTED FOR THE LATEST REVISION.</small>		DWN ORANDO LI 07FEB2012 CHK SUNY ZHAO 07FEB2012 APVD SUNY ZHAO 07FEB2012	Tyco Electronics Harrisburg, PA 17105-3608
DIMENSIONS: mm 	TOLERANCES UNLESS OTHERWISE SPECIFIED: 9 PLC ±.5 8 PLC ±.5 5 PLC ±.25 4 PLC ±.25 ANGLES ±.3 FINISH -	NAME SUNY ZHAO 07FEB2012 PRODUCT SPEC APPLICATION SPEC 114-13284 WEIGHT - CUSTOMER DRAWING	SIZE CAGE CODE DRAWING NO A 100779 C-1892813 RESTRICTED TO SCALE 3:1 SHEET 2 OF 3 REV A

LOC	DIST	REVISIONS			
P	LTR	DESCRIPTION	DATE	DWN	APVD
GP	00	SEE SHEET 1	-	-	-



5. SOLDER PIN DETAIL
SCALE 10 : 1



△ SOLDER TERMINATION AREA
 SCALE 40:1
 RECOMMENDED PRINTED CIRCUIT SOLDER HOLE
 FINISHED HOLE: Ø1.02 [.040] ±.08 [.003]
 DRILLED HOLE: Ø1.15 [.0453] ±.013 [.0005]
 COPPER PLATE: .025 [.0010] MIN
 TIN PLATE: .008 [.0003] MIN. (PER SURFACE)

ELCON FLATPAQ

<small>THIS DRAWING IS UNPUBLISHED. RELEASED FOR PUBLICATION. ALL RIGHTS RESERVED. THIS DRAWING IS UNPUBLISHED. RELEASED FOR PUBLICATION. ALL RIGHTS RESERVED. THIS DRAWING IS UNPUBLISHED. RELEASED FOR PUBLICATION. ALL RIGHTS RESERVED.</small>		DWN ORANDO LI 07FEB2012 CHK SUNY ZHAO 07FEB2012 APVD SUNY ZHAO 07FEB2012	Tyco Electronics Harrisburg, PA 17105-3608
DIMENSIONS: mm 	TOLERANCES UNLESS OTHERWISE SPECIFIED: 0 PLC ±.5 1 PLC ±.5 2 PLC ±.25 3 PLC ±.25 4 PLC ±.25 ANGLES ±.3 FINISH	NAME PRODUCT SPEC APPLICATION SPEC 114-13284 WEIGHT CUSTOMER DRAWING	SIZE CAGE CODE DRAWING NO A100779C-1892813 RESTRICTED TO
SCALE 3:1		SHEET 3 OF 3	REV A