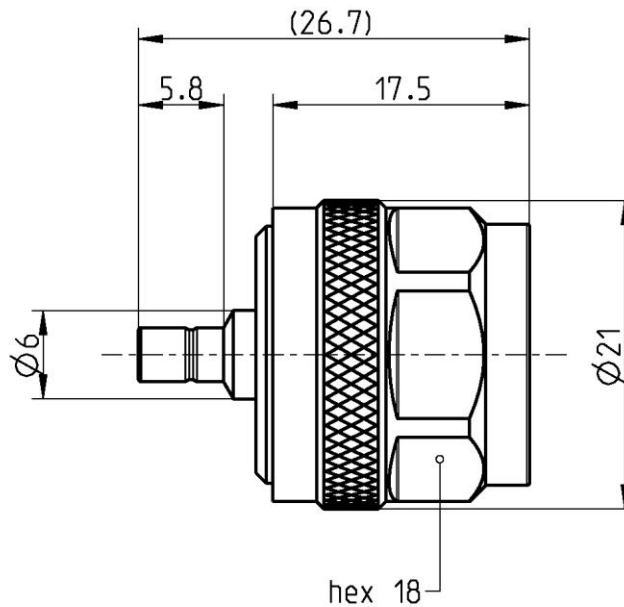


SMB
N 50 Ω

Adaptor
SMB Plug – N 50 Ω Plug

59S153-S00L5



All dimensions are in mm; tolerances according to ISO 2768 m-H

Interface

According to	SMB side:	IEC 60169-10, CECC 22130, MIL-PRF-39012
	N side:	IEC 61169-16, MIL-PRF-39012, CECC 22210

Documents

N/A

Material and plating

Connector parts

	Material	Plating
Center contact	Brass	AuroDur®, gold plated
Outer contact SMB side	Brass	AuroDur®, gold plated
Outer contact N side	Brass	Nickel, 2.5-5 µm
Dielectric	PTFE	
Coupling nut N side	Brass	Flash white bronze over silver(e.g. Optargen®)
Gasket	Silicone	

SMB
N 50 Ω

Adaptor
SMB Plug – N 50 Ω Plug

59S153-S00L5

Electrical data

Impedance 50 Ω
 Frequency DC to 4 GHz
 Return loss ≥ 25 dB, DC to 1 GHz
 ≥ 22 dB, 1 to 4 GHz
 Insertion loss ≤ 0.05 $\sqrt{f(\text{GHz})}$ x dB
 Insulation resistance ≥ 1x10³ MΩ
 Center contact resistance ≤ 5 mΩ, SMB side ≤ 1 mΩ, N side
 Outer contact resistance ≤ 2.5 mΩ, SMB side ≤ 0.25 mΩ, N side
 Test voltage 750 V rms, 50 Hz, at sea level
 Working voltage ≤ 250 V rms, 50 Hz, at sea level
 Contact current 1.5 A DC typ.
 RF-leakage ≥ 55 dB up to 1 GHz

Mechanical data

	SMB side	N side
Mating cycles	min. 500	min. 500
Coupling nut retention	N/A	≥ 450 N
Center contact captivation: axial	≥ 10 N	≥ 10 N
Engagement force	≤ 63 N	N/A
Disengagement force	8 N min. to 63 N max.	N/A
Coupling test torque	N/A	max. 1.7 Nm
Recommended torque	N/A	0.7 Nm to 1.1 Nm

Environmental data

Temperature range -55°C to +155°C
 Thermal shock MIL-STD-202, Meth. 107, Cond. B
 Vibration MIL-STD-202, Meth. 204, Cond. B
 Corrosion MIL-STD-202, Meth. 101, Cond. B
 Moisture resistance MIL-STD-202, Meth. 106
 RoHS compliant

Tooling

N/A

Suitable cables

N/A

Weight

Weight 26.3 g/pce

While the information has been carefully compiled to the best of our knowledge, nothing is intended as representation or warranty on our part and no statement herein shall be construed as recommendation to infringe existing patents. In the effort to improve our products, we reserve the right to make changes judged to be necessary.

For the installation of the electrotechnical equipment, particular electrotechnical expertise is required.



Draft	Date	Approved	Date	Rev.	Engineering change number	Name	Date
Inge Mühlauer	14.12.04	Chr. Janßen	09.02.21	c00	20-1927	S. Huber-Siegl	09.02.21

Rosenberger Hochfrequenztechnik GmbH & Co. KG
 P.O.Box 1260 D-84526 Tittmoning Germany
www.rosenberger.com

Tel. : +49 8684 18-0
 Email : info@rosenberger.com

Page
2 / 2