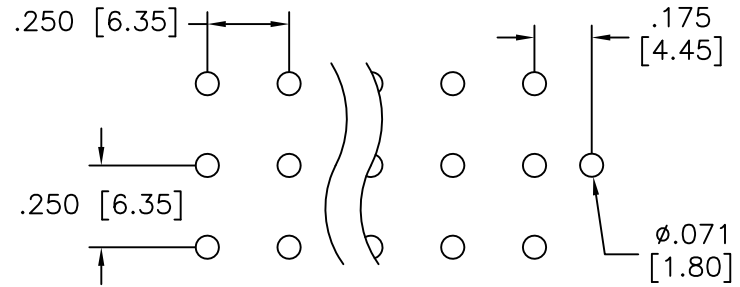
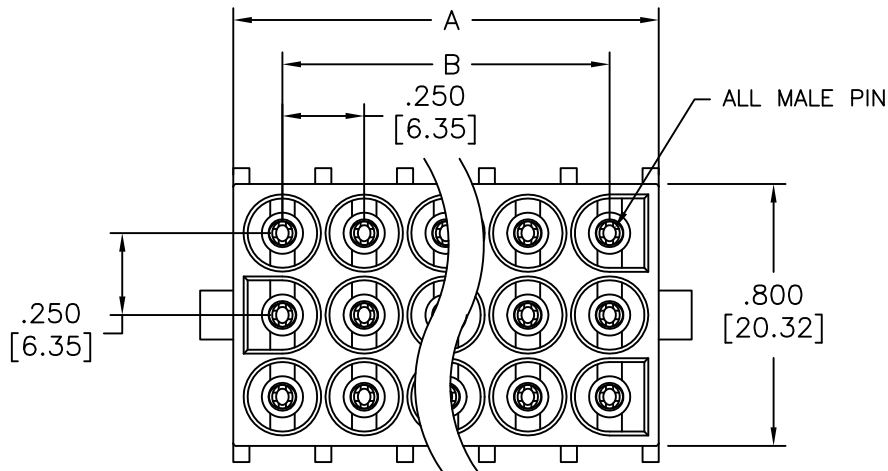
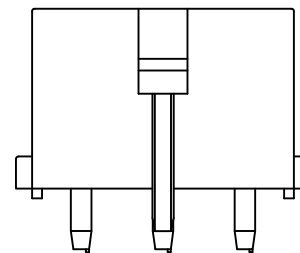
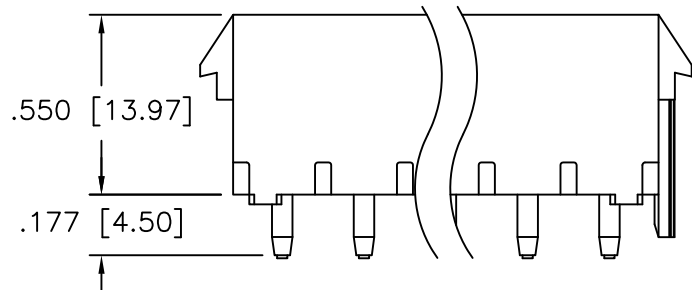


APPROVED: \_\_\_\_\_  
 DATE: \_\_\_\_\_ TITLE: \_\_\_\_\_

Rev	AWO #	Description	Date	Appr
-		RELEASED	4/22/11	



Recommended PCB Layout



**SPECIFICATIONS:**

**Material:**

Insulator: Nylon 66, rated UL 94V-2

Insulator color: Natural

Contacts: Phosphor Bronze

**Plating:**

Tin over Nickel underplate overall

**Electrical:**

Operating voltage: 600 VAC max

Current rating: 13 Amps max.

Insulation resistance: 1000 Mohms min @ 500 VDC

Dielectric withstanding voltage: 5000 VAC for 1 minute

**Mechanical:**

Temperature Rating:

Operating temperature: -25°C to +85°C

**Environmental:**

Lead free, RoHS compliant.



A = .250 [6.35] X No. of Positions + .050 [1.27]

B = .250 [6.35] X No. of Spaces

UNLESS OTHERWISE SPECIFIED  
 ALL DIMENSIONS ARE MM [INCHES]  
 TOLERANCES: EXCEPT AS NOTED

INCHES		HOLES	
.X	± .10	Ø.X	± .10
.XX	± .020	Ø.XX	± .015
.XXX	± .015	Ø.XXX	± .010

**ADAM TECH**

909 Rahway Avenue, Union, NJ 07083  
 Phone: 908-687-5000 Fax: 908-687-5710

TITLE: 6.35mm PITCH POWER CONNECTORS  
 MALE PIN, TIN PLATED, WITH POLARIZING

APPROVALS		DATE
DRAWN	AY	4/22/11
CHECKED	RC	4/22/11
APPROVED		

SIZE X	PART NO. DME-XX-S-P-SQ	REV. -
REF: S00123T	SCALE: NTS	SHEET 1 OF 2

6

5

4

3

2

1

APPROVED: \_\_\_\_\_

DATE: \_\_\_\_\_ TITLE: \_\_\_\_\_

Rev	AWO #	Description	Date	Apr
SEE SHT 1 OF 2 FOR REVISION				

D

C

B

A

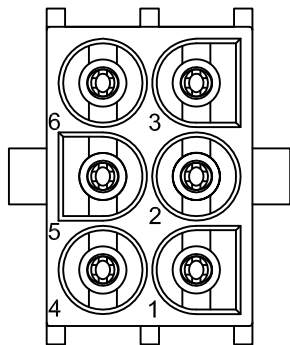
D

C

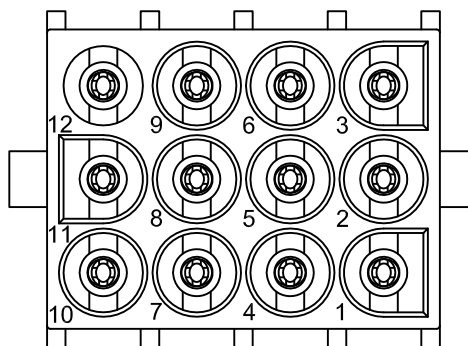
B

A

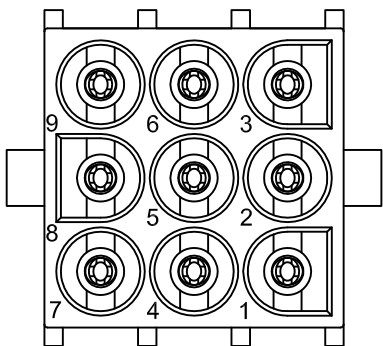
6 POSITION



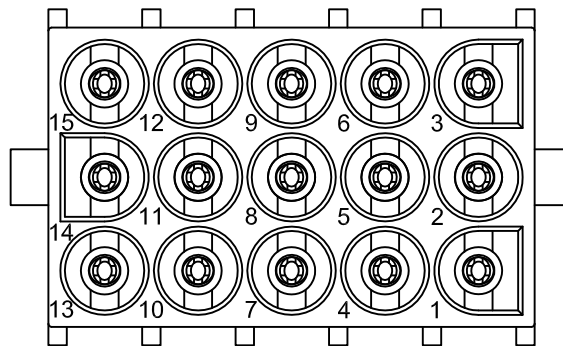
12 POSITION



9 POSITION



15 POSITION



UNLESS OTHERWISE SPECIFIED  
 ALL DIMENSIONS ARE INCHES [MM]  
 TOLERANCES: EXCEPT AS NOTED  
 INCHES HOLES  
 .X ± .10 Ø.X ± .10  
 .XX ± .020 Ø.XX ± .015  
 .XXX ± .015 Ø.XXX ± .010

**ADAM TECH**

909 Rahway Avenue, Union, NJ 07083  
 Phone: 908-687-5000 Fax: 908-687-5710

APPROVALS		DATE
DRAWN	AY	4/22/11
CHECKED	RC	4/22/11
APPROVED		

TITLE			6.35mm PITCH POWER CONNECTORS	
			MALE PIN, TIN PLATED, WITH POLARIZING	
SIZE	PART NO.			REV.
X	DME-XX-S-P-SQ			-
REF:	S00123T	SCALE:	NTS	SHEET 2 OF 2

6

5

4

3

2

1