

LOC	DIST	REVISIONS					
		P	LTR	DESCRIPTION	DATE	DWN	APVD
A1	-		A1	PART NUMBER CHANGED TO TYCO ELECTRONICS	08DEC2000	ACK	GF

SEE TYCO DRAWING SIEHE TYCO - ZEICHNUNG	C - 1 393 532 - 1
--------------------------------------------	-------------------

IS EQUIVALENT TO EC - COMPONENT C42334-A368-A17  
ENTSPRICHT EC - KOMPONENTE C42334-A368-A17


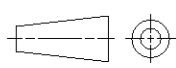
2000

RELEASED FOR PUBLICATION

THIS DRAWING IS UNPUBLISHED.

BY TYCO ELECTRONICS CORPORATION. ALL RIGHTS RESERVED.

© COPYRIGHT 2000

DIMENSIONS: mm		DWN G. ACKERMANN	08DEC2000	MATERIAL	-	FINISH	-					
TOLERANCES UNLESS OTHERWISE SPECIFIED:		CHK M. SCHLEIHAUF	-	 tyco Electronics AMP GmbH D - 67346 Speyer								
		APVD G. FELDMEIERS	-									
0 PLC ± 1 PLC ± 2 PLC ± 3 PLC ± 4 PLC ± ANGLES ±°		PRODUCT SPEC	NAME STECKVERBINDER BK - DIL 368 CONNECTOR									
		APPLICATION SPEC	114 - 18415		SIZE	A 4	CAGE CODE	00779	DRAWING NO	C=1393532-4	RESTRICTED TO	-
		WEIGHT	CUSTOMER DRAWING									
					SCALE	1:1	SHEET	1	OF	1	REV	A1