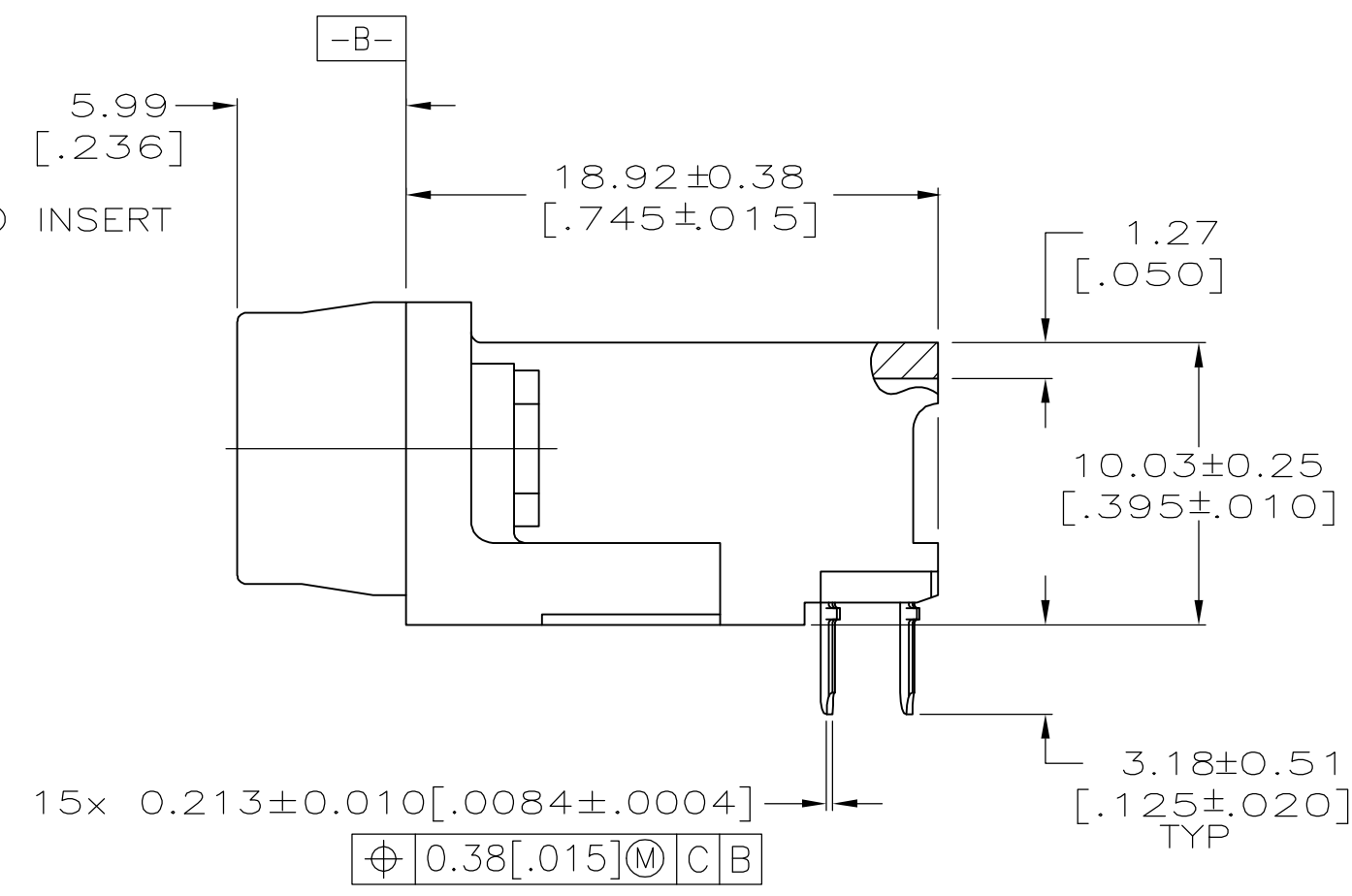
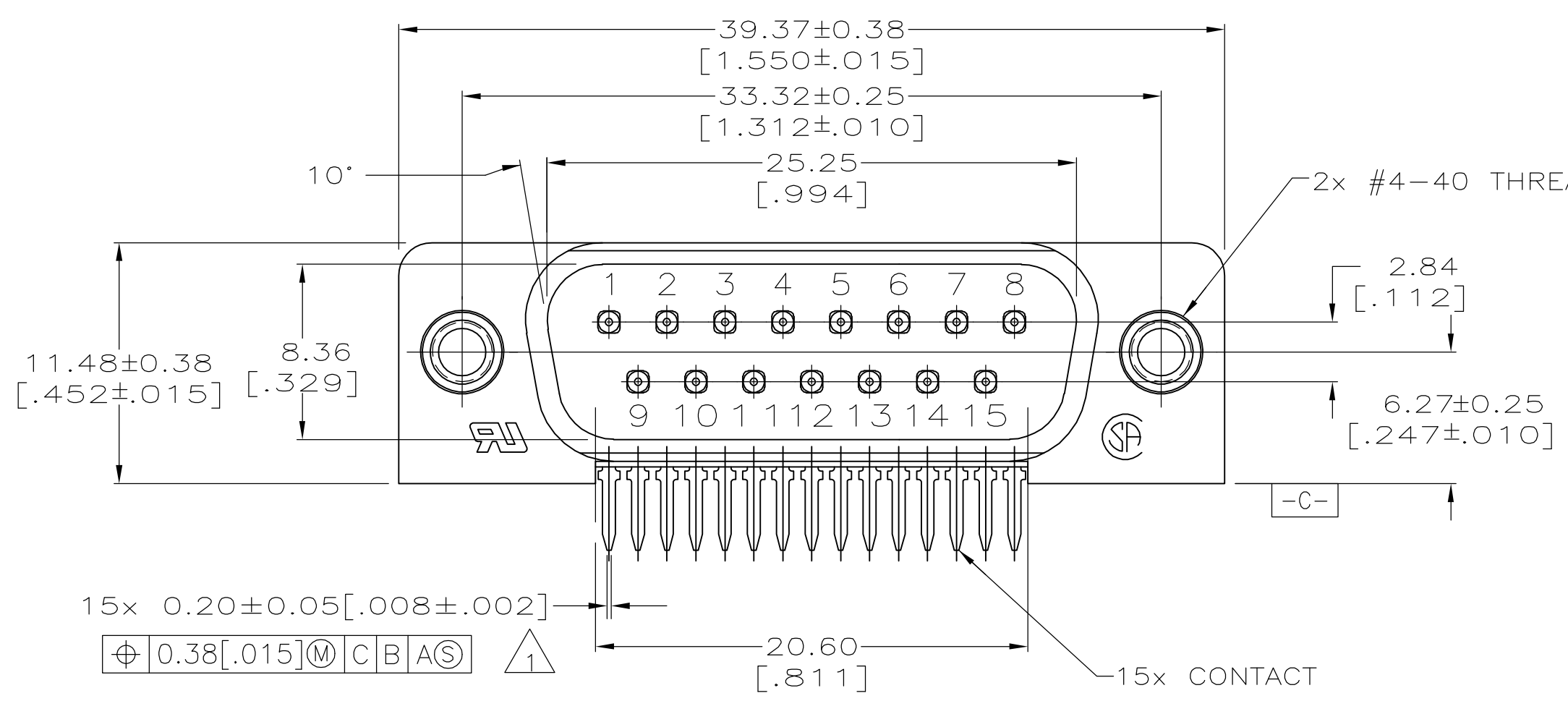
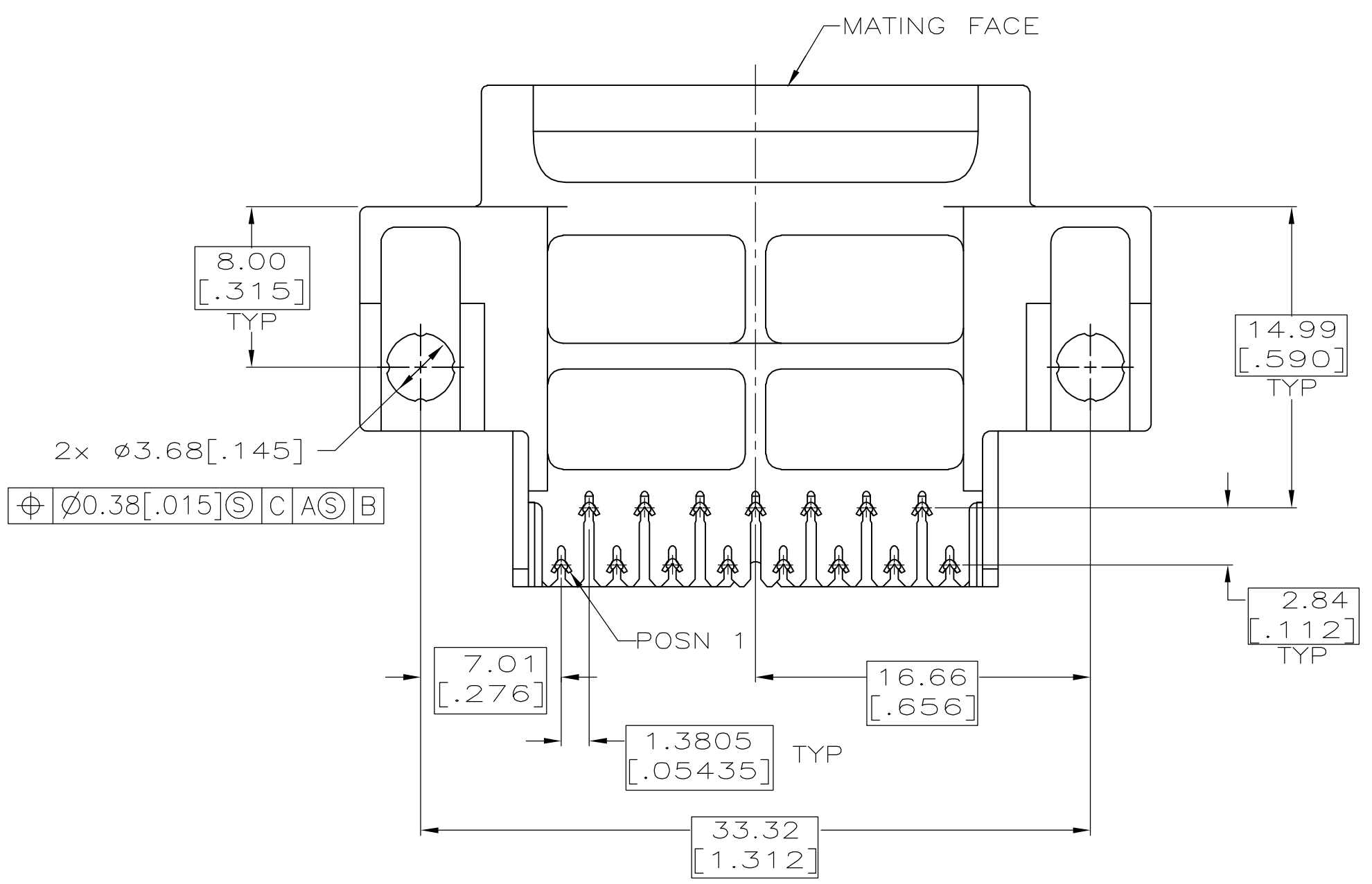


TYCO, PART NO & DATE CODE, MARKED IN AREA INDICATED

PC BOARD MOUNTING DIMENSIONS



- 1 POSITION TOLERANCE APPLIES AT TIP ONLY.
- 2 HOUSING: FLAME RETARDANT, 94V-0 RATED, GLASS FILLED NYLON OR POLYESTER, COLOR; BLACK.
- CONTACTS: BRASS
- INSERTS: ZINC
- 3 CONTACTS: GOLD PLATED FOR A LENGTH OF 3.81 [.150] MIN FROM MATING END, 0.76 μm [.000030] MIN GOLD IN MATED AREA, 2.54 μm [.0001] MIN TIN FOR A LENGTH OF 3.68 [.145] MIN FROM OPPOSITE END, BOTH OVER 1.27 μm [.000050] MIN NICKEL.
- INSERTS: CLEAR CHROMATE COATING.



5748872-1
PART NO

**COPYRIGHT 2005
 TYCO ELECTRONICS CORP
 ALL RIGHTS RESERVED**

THIS DRAWING IS A CONTROLLED DOCUMENT.		DWN G.PETERS	20SEP05		Tyco Electronics Corporation Harrisburg, PA 17105-3608	
DIMENSIONS: mm [INCHES]		CHK S.BOLASH	20SEP05		NAME PLUG ASSEMBLY, SIZE 2, 15 POSN., ALL PLASTIC, RIGHT ANGLE, .590 SERIES, AMPLIMITE III	
TOLERANCES UNLESS OTHERWISE SPECIFIED:		APVD M.WALMSLEY	20SEP05	PRODUCT SPEC 108-1226		
0 PLC ± -		APPLICATION SPEC 114-40027		SIZE A1		
1 PLC ± -		WEIGHT		CASE CODE 00779		
2 PLC ± .13[.005]		CUSTOMER DRAWING		DRAWING NO C=5748872		
3 PLC ± -		SCALE 1:1		SHEET 1 OF 1		
4 PLC ± -		SHEET		REV 0		
ANGLES ± -		SCALE		REV		
FINISH		SCALE		REV		