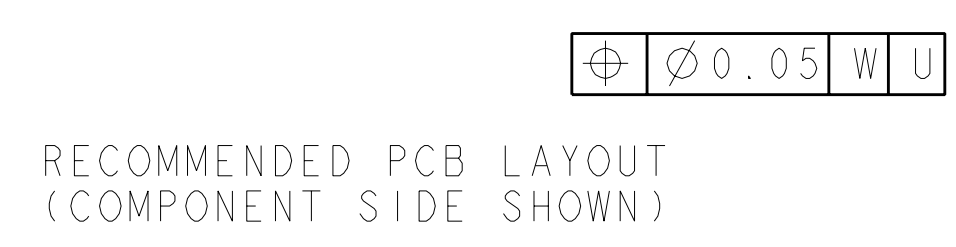
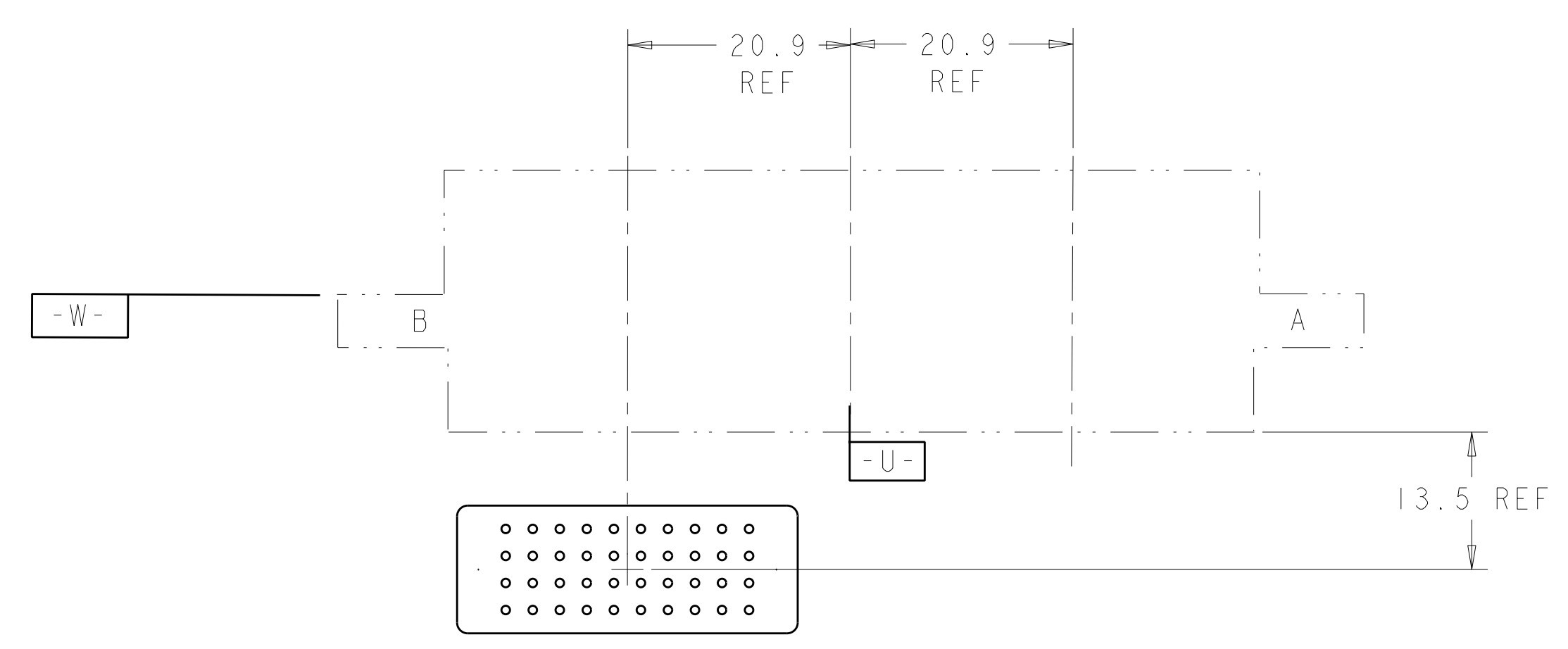
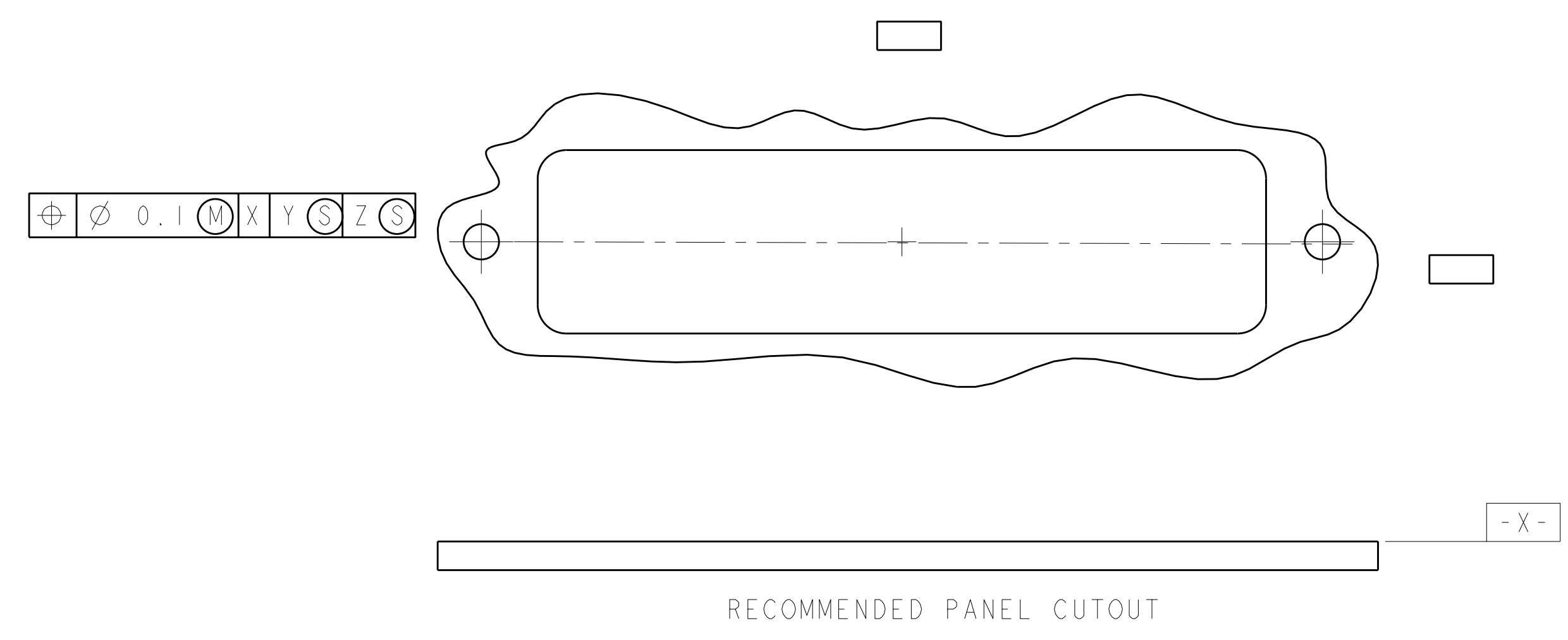
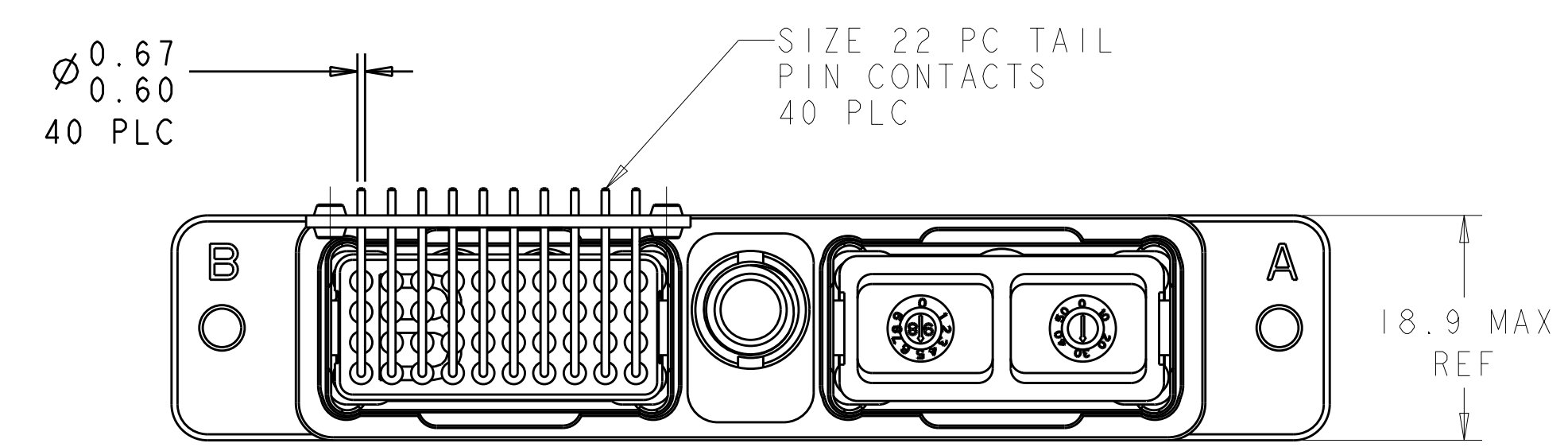
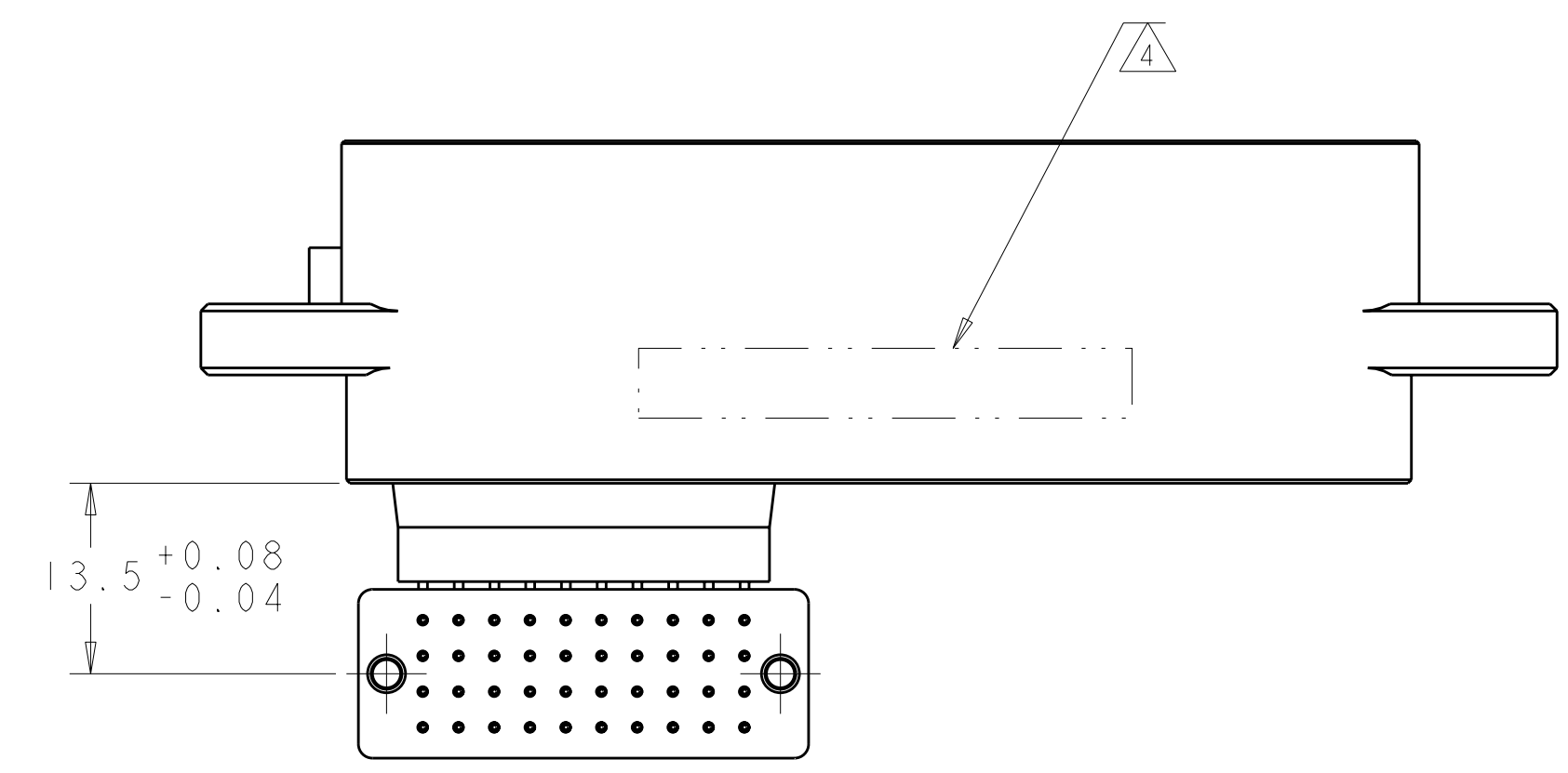
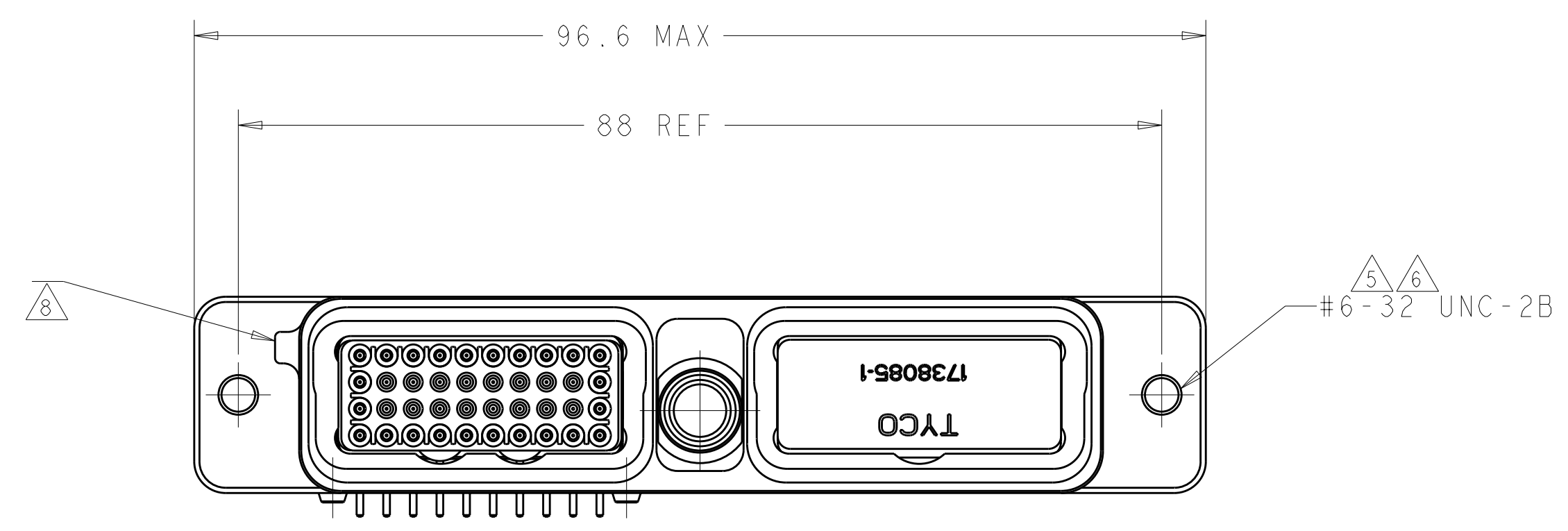
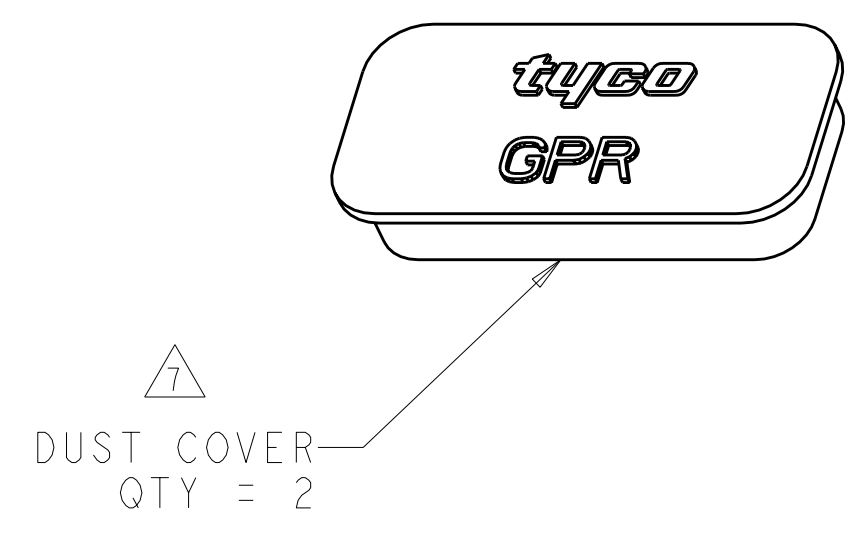


LOC	DIST	REV	DATE	BY	APPD
DF	X5	A	16APR2008	CT	KH

- THE RECEPTACLE CONNECTOR KITS CONSIST OF THE FOLLOWING ITEMS, WHICH ARE ALSO AVAILABLE SEPARATELY:
 1811119-1 RECEPTACLE SHELL ASSEMBLY (QTY = 1)
 1996454-4 PIN INSERT ASSEMBLY, 40, KEY B, WITH RIGHT-ANGLE CONTACTS INSTALLED - INSTALLED (QTY = 1)
 1738085-1 DUMMY INSERT INSTALLED (QTY = 1)
- SHELL ASSEMBLY MATERIAL:
 SHELL: ALUMINUM ALLOY 6061 T651 PER AMS-00-A-250
 INSERT RETENTION CLIP: COPPER ALLOY PER ASTM B194
 GUIDE SOCKET: STAINLESS STEEL PER AISI 303
 RETAINING NUT: STAINLESS STEEL PER AISI 316
 PROTECTIVE COVER: THERMOPLASTIC ELASTOMER
- INSERT ASSEMBLIES MATERIAL:
 FRONT & REAR INSULATORS: HIGH-TEMP THERMOPLASTIC OR THERMOSET EPOXY PER ASTM D5948
 CONTACT RETENTION CLIPS: STAINLESS STEEL PER AISI 302 OR COPPER ALLOY PER ASTM B194
 REAR GROMMET & INTERFACIAL SEAL: FLUOROSILICONE ELASTOMER PER MIL-R-25988 B EXCEPT 4.6.6.1
- SIZE 22 RT ANGLE PIN CONTACTS:
 COPPER ALLOY C97
- SHELL ASSEMBLY FINISH: ELECTROLYTIC NICKEL PER SAE AMS 00-N-290 OVER ELECTROLESS NICKEL PER SAE AMS-2404, CLASS 3.
- GUIDE SOCKET FINISH: PASSIVATED
- SIZE 22 PIN CONTACT FINISH: 1.27µm MIN GOLD PER ASTM B488 OVER 1.5µm MIN NICKEL PER 00-N-290 ON ENTIRE STOCK.
- TE PART NO. AND DATE CODE MARKED IN THIS REGION.
- 6-32 SCREWS ARE REQUIRED FOR PANEL MOUNTING (NOT INCLUDED).
 SCREW HEAD DIAMETER: 8.5mm MAX. RECOMMENDED TORQUE: 1.3 N-m [11.5 lb_in] MIN
- 6-32 THREADED HOLES ARE SELF-LOCKING, HAVING THE SPIRALOCK® THREAD FORM. SPIRALOCK® IS A REGISTERED TRADEMARK OF SPIRALOCK CORPORATION.
- THE PROTECTIVE COVERS ARE INSTALLED FOR SHIPPING.
- POLARIZATION FEATURE TO PREVENT REAR PANEL MOUNTING.
- THIS PRODUCT IS SOLD BY TYCO ELECTRONICS UNDER A LICENSE FROM RADIAL SA.



PROPOSAL DRAWING
 Tyco Electronics
 April 15, 2008

1996667-1
 PART NO.

DIMENSIONS: mm 		TOLERANCES UNLESS OTHERWISE SPECIFIED: 0 PLC ± 1 PLC ±0.1 2 PLC ±0.05 3 PLC ± 4 PLC ± ANGLES ± FINISH: 3		DWN: C.C. THOMAS 16APR2008 CHK: K. HOGAN 16APR2008 APPD: K. HOGAN 16APR2008		Tyco Electronics Harrisburg, PA 17105-3608	
MATERIAL: 2		WEIGHT: -		NAME: KIT, RECEPTACLE CONNECTOR, DUMMY / 40 WITH RT ANGLE CONTACTS, GAIN, GPRB2		SIZE: A 00779 C=1996667	
CUSTOMER DRAWING		SCALE: 2:1		SHEET: 1 OF 1		REV: A	