

## TYPICAL INDICATOR ORDERING EXAMPLE

**P01**

**12**

**C**

**1**

**A**

Lamps	
Incandescent	
<b>06</b>	6-volt
<b>12</b>	12-volt
<b>18</b>	18-volt
<b>24</b>	24-volt
<b>28</b>	28-volt
Neon	
<b>N</b>	110-volt

Cap Colors	
<b>B</b>	White
<b>C</b>	Red
<b>D</b>	Orange
<b>E</b>	Yellow
<b>*F</b>	Green
<b>*G</b>	Blue

\*F & G not suitable with neon.

Bezels	
<b>1</b>	.787" (20.0mm) Wide
<b>2</b>	.937" (23.8mm) Wide

Bezel Colors	
<b>A</b>	Black
<b>B</b>	White
<b>C</b>	Red
<b>D</b>	Orange
<b>E</b>	Yellow
<b>F</b>	Green
<b>G</b>	Blue
<b>H</b>	Gray



### DESCRIPTION FOR TYPICAL ORDERING EXAMPLE

**P01-12-C-1A**



## LAMP CODES & SPECIFICATIONS

### Incandescent & Neon Lamps for Solid & Design Caps

AT602 Incandescent	AT602N Neon	$L(+) \text{---} \text{---} \text{---} L(-)$	<b>06</b>	<b>12</b>	<b>18</b>	<b>24</b>	<b>28</b>	<b>N</b>	
									
		Voltage	6V	12V	18V	24V	28V	110V	
		Current	80mA	50mA	35mA	25mA	22mA	1.5mA	
		MSCP	.159	.215	.398	.215	.247	NA	
		Endurance	2,000 Average					15,000 Avg.	
		Ambient Temperature Range	-10° ~ +50°C						
		Recommended Resistor for Neon: 33K ohms for 110V AC & 100K ohms for 220V AC							

T-1 1/2 Pilot Slide Base

Electrical specifications are determined at a basic temperature of 25°C.

For dimension drawings of lamps, see Accessories & Hardware Index.

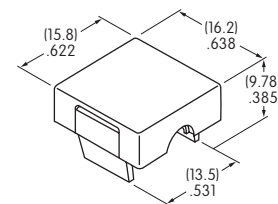
If the source voltage is greater than rated voltage, a ballast resistor is required.

The ballast resistor calculation and more lamp detail are shown in the Supplement section.

## CAP COLORS

<b>B</b> White	<b>D</b> Orange	<b>F</b> Green
<b>C</b> Red	<b>E</b> Yellow	<b>G</b> Blue

**AT429**

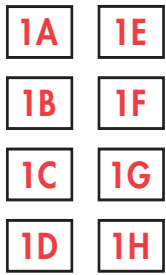


Material: Polycarbonate

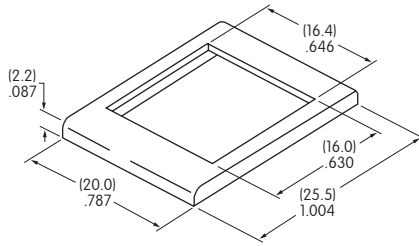
Finish: Glossy

F & G not suitable for neon

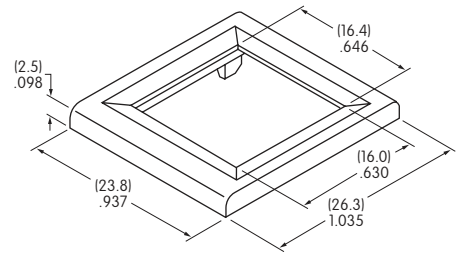
### OPTIONAL BEZELS & COLORS



**AT204**  
**.787" (20.0mm) Wide Bezel**



**AT9201**  
**.937" (23.8mm) Wide Bezel**



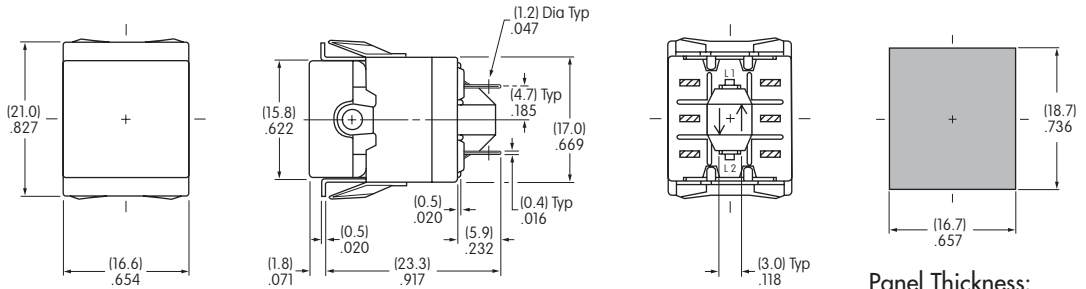
Material: Polycarbonate

Standard Finish: Glossy

**Color Codes:** A Black B White C Red D Orange E Yellow F Green G Blue H Gray

### TYPICAL INDICATOR DIMENSIONS

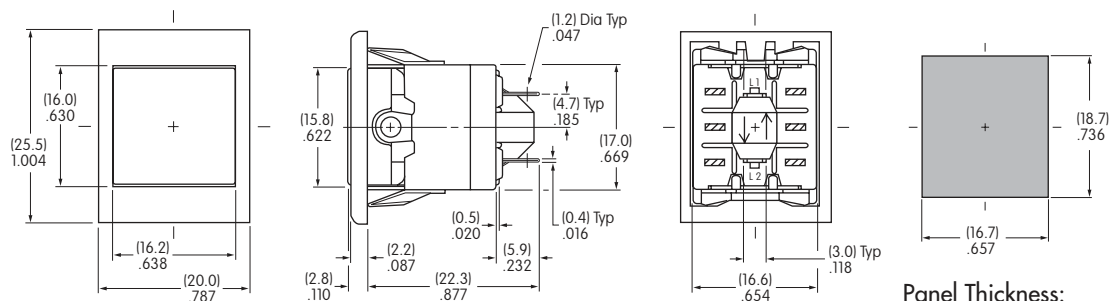
#### Without Bezel



**P01-12-C**

Panel Thickness:  
 .039" ~ .157"  
 (1.0mm ~ 4.0mm)

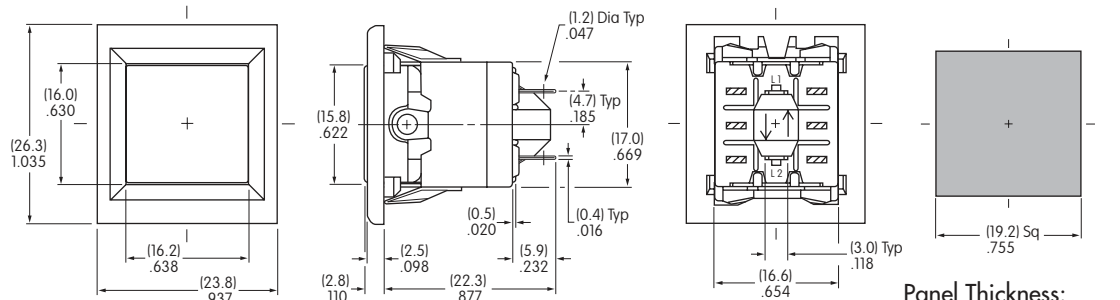
#### With Bezel



**P01-12-C-1A**

Panel Thickness:  
 .039" ~ .157"  
 (1.0mm ~ 4.0mm)

#### With Large Bezel



**P01-12-C-2A**

Panel Thickness:  
 .039" ~ .157"  
 (1.0mm ~ 4.0mm)

Toggles  
Rockers  
Pushbuttons  
Illuminated PB  
Programmable  
Keylocks  
Rotaries  
Slides  
Tactiles  
Tilt  
Touch  
Indicators  
Accessories  
Supplement