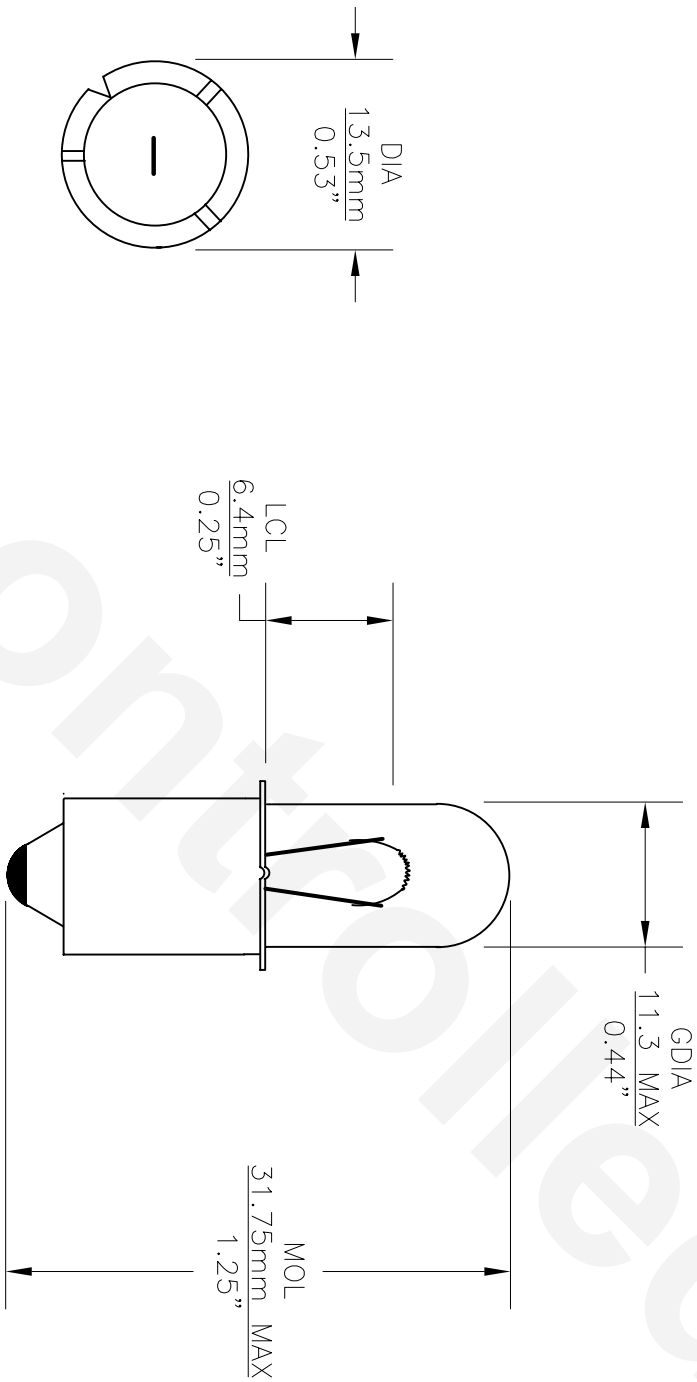


PART NO.	BASE TYPE	DESIGN VOLTS	DESIGN WATTS	MSCP	FILAMENT TYPE	AVG LIFE
XPR14	S.C. MINIATURE FLANGED P13.5s	14.4V	10.08	16 ±15%	C-2R	15HR

REVISIONS			
REV	DESCRIPTION	DATE	APPROVED
1	ADDRESS CHANGE, MOL DIMENSION	03/15/2006	D.C.



TOP VIEW

UNLESS OTHERWISE SPECIFIED: DIMENSIONS ARE IN INCHES TOLERANCES		599 BOND STREET LINCOLNSHIRE, IL 60069	
DECIMALS XX ± .05	ANGULAR ± 0.5°	CEC INDUSTRIES LTD	
.XXX ± .010	FRACTIONAL ± 1/64	TITLE LIGHT BULB NO. XPR 14	
DRAWN Anna Soloveyichik	DATE 04/14/03	SIZE A	FSCM NO. XPR14
CHECKED		DWG NO.	
DESIGN		SCALE	PLOT SCALE
MATERIAL		FILE XPR14.dwg	SHEET 1 OF 1
		DO NOT SCALE DRAWING	