

# FOC-MODUL:3U-OS12-LCD6-OM1 - Module



1419978

<https://www.phoenixcontact.com/us/products/1419978>

Please be informed that the data shown in this PDF document is generated from our online catalog. Please find the complete data in the user documentation. Our general terms of use for downloads are valid.



1\*12-insert 3U module, type: 19"-rack mount patch module, degree of protection: IP20, number of positions: 1\*12, marking material: aluminum, color: gray

## Your advantages

- Compact design with MT ferrule
- Plug-and-play
- Front release without special tool
- All connections on the front side
- Space-saving module insert with high packing density
- Can be flexibly installed in module carrier
- Easy to extend with the modular design

## Commercial data

Item number	1419978
Packing unit	1 pc
Minimum order quantity	1 pc
Sales key	AB15
Product key	ABNHAC
Catalog page	Page 390 (C-2-2019)
GTIN	4055626198286
Weight per piece (including packing)	366.5 g
Weight per piece (excluding packing)	350 g
Customs tariff number	85367000
Country of origin	CN

1419978

<https://www.phoenixcontact.com/us/products/1419978>

## Technical data

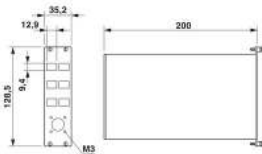
### Product properties

Type	3 HE
Product type	Network distributor box
Sensor type	Ethernet
Number of positions	12
No. of cable outlets	0
Number of module slots	6
Housing type	Component housing
Protective cover	yes

### Electrical properties

Attenuation	typ. 0.35 dB
	max. 0.6 dB
Transmission medium	Multi-mode fiberglass

### Dimensions

Dimensional drawing	
Width	35.2 mm
Height	128.5 mm
Depth	200 mm

### Material specifications

Color	gray
Flammability rating according to UL 94	V0
Ferrule material	Zirconia ceramics
Housing surface material	Powder-coated, gray
Housing material	Aluminum alloy
Outer sheath, material	LSFH

### Cable/line

Cable type	Multimode fiberglass
Cable type	Fan out
Outer sheath, material	LSFH
Halogen-free	complying with IEC 60754-1/2

### FO cable

Number of fibers	12
------------------	----

1419978

<https://www.phoenixcontact.com/us/products/1419978>

Fiber	62.5/125 µm OM1
Fiber type	Multimode fiberglass 62.5/125 µm
Attenuation	typ. 0.15 dB
Transmission medium	Multi-mode fiberglass

## Mechanical properties

### Mechanical data

Insertion/withdrawal cycles	≥ 500 (In the event of repeated cleaning)
-----------------------------	---

## Characteristics

Attenuation	typ. 0.35 dB
-------------	--------------

## Environmental and real-life conditions

### Ambient conditions

Degree of protection	IP20
	IP20
	IP67
Ambient temperature (operation)	-40 °C ... 85 °C (IEC 61300-2-22)

## Mounting

Mounting type	Screw mounting
---------------	----------------

# FOC-MODUL:3U-OS12-LCD6-OM1 - Module

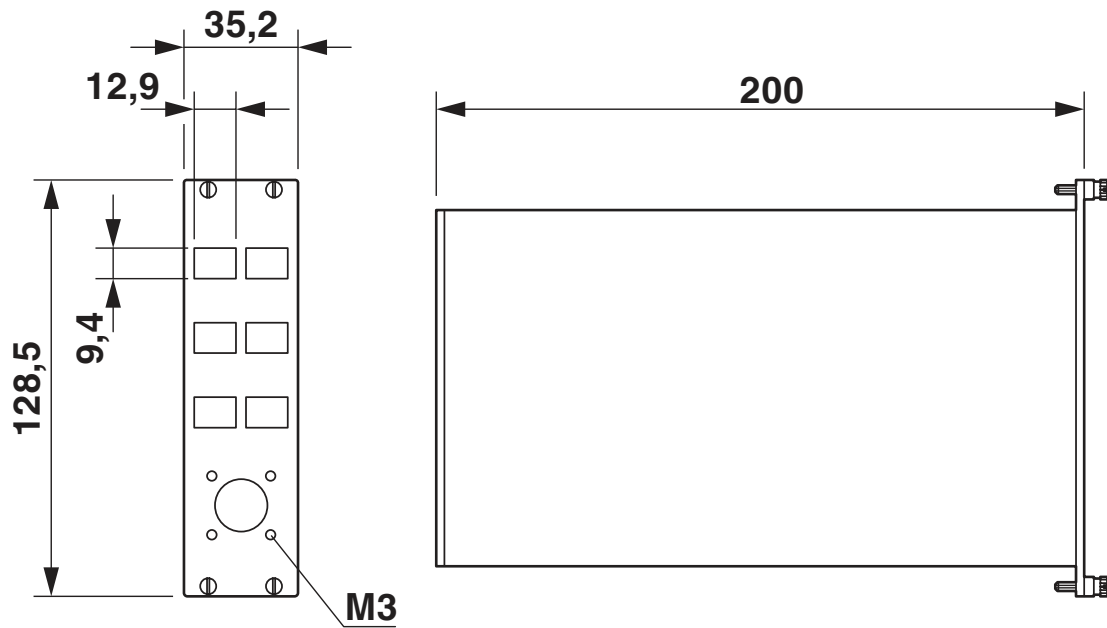


1419978

<https://www.phoenixcontact.com/us/products/1419978>

## Drawings

Dimensional drawing



1419978

<https://www.phoenixcontact.com/us/products/1419978>

## Classifications

### ECLASS

ECLASS-11.0	27440102
ECLASS-12.0	27440116
ECLASS-13.0	27440116

### ETIM

ETIM 8.0	EC002635
----------	----------

### UNSPSC

UNSPSC 21.0	39121400
-------------	----------

1419978

<https://www.phoenixcontact.com/us/products/1419978>

## Environmental product compliance

China RoHS	Environmentally Friendly Use Period = 50 years For information on hazardous substances, refer to the manufacturer's declaration available under "Downloads"
------------	--

# FOC-MODUL:3U-OS12-LCD6-OM1 - Module



1419978

<https://www.phoenixcontact.com/us/products/1419978>

## Accessories

### FOC-OP12-OP12-GL02/10 - Connecting cable

1415353

<https://www.phoenixcontact.com/us/products/1415353>



Double-end preassembled cable, type: circular connector, degree of protection: IP68, number of positions: 12

---

Phoenix Contact 2023 © - all rights reserved  
<https://www.phoenixcontact.com>

Phoenix Contact USA  
586 Fulling Mill Road  
Middletown, PA 17057, United States  
(+717) 944-1300  
[info@phoenixcon.com](mailto:info@phoenixcon.com)