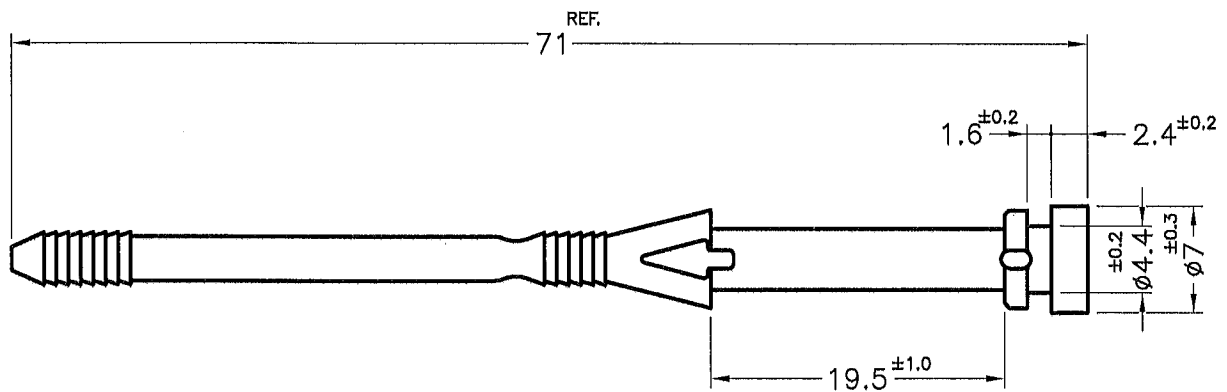




REVISIONS			
REV	DESCRIPTION	DATE	BY



MOUNTING HOLE  $\phi 4.2$

PART NO.	HARDNESS
BUB-71G	$45^{\circ} \pm 10^{\circ}$
BUB-71H	$55^{\circ} \pm 10^{\circ}$

NOTE: 1. SHRINKING IS NORMAL STATUS.  
 內縮屬正常現象。  
 2. MADE OF EQUIVALENT MATERIAL.  
 均可使用同等材質。

 <p>康揚企業股份有限公司          KANG YANG HARDWARE ENTERPRISE CO., LTD.          康揚塑膠(東莞)有限公司          KANG YANG PLASTIC(DONG GUAN) CO., LTD.          康哲電腦配件(吳江)有限公司          KANG CHE COMPUTER COMPONENTS(WUJIANG) CO., LTD.</p>	TITLE FAN SNAP RIVER		SPEC. DWG.	
	MATERIAL TPE		DATE 2005.06.13	
	HARDNESS SEE ABOVE		DRAWN <i>James</i>	
	COLOR BLACK		CHECK 	
PART NUMBER SEE ABOVE	DRAWING NUMBER BUB-71		UNLESS OTHERWISE SPECIFIED TOLERANCE SEE ABOVE	
SIZE A4	SCALE 2:1	UNIT mm	REV B	APPROVED 