

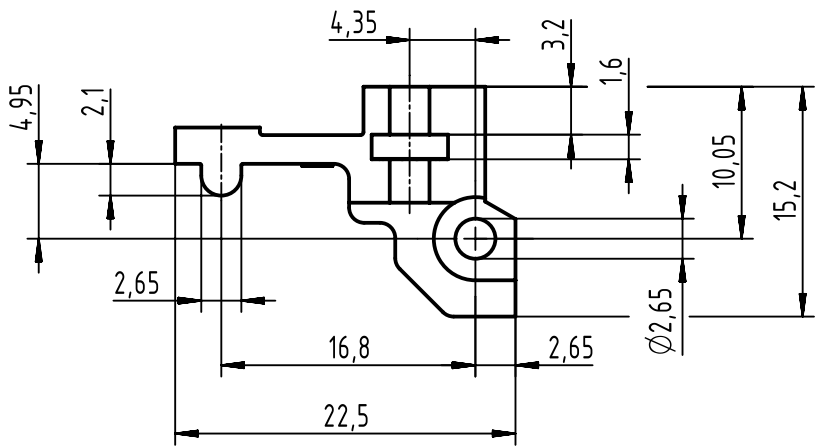
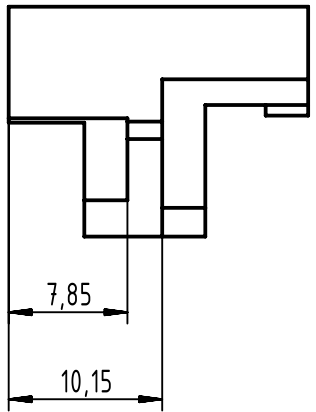
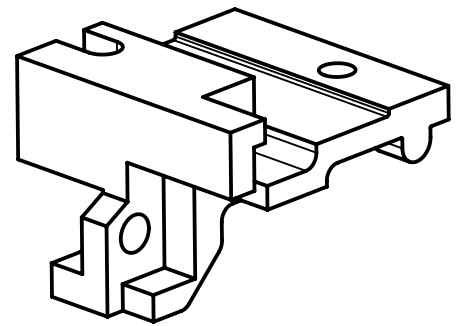
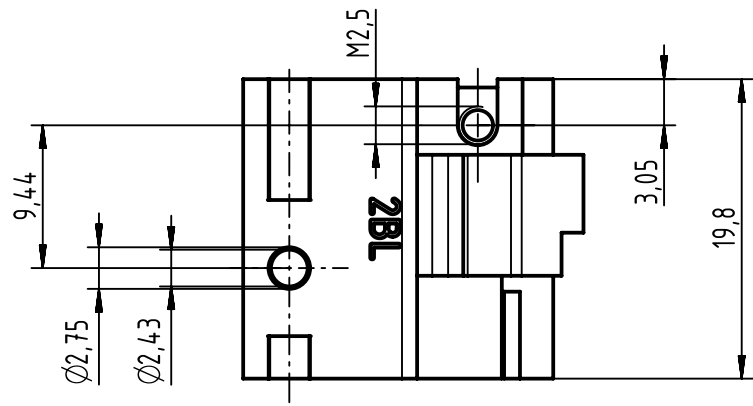
1 2 3 4 5 6


A

B

C

D



	All rights reserved Department EC PD - DE	All Dimensions in mm Original Size DIN A4		Scale 2:1	Free size tol.		Ref. Sub. TB 09 06 901 9924 / Mod.31980 / 23.03.2004			
		Created by KAHLERK	Inspected by TADJE	Standardisation HOFFMANN	Date 2015-10-07	State Final Release		Doc-Key / ECM-Nr. 100072767/UGD/004/B 500000095229		
HARTING Electronics GmbH D-32339 Espelkamp		Title DIN-Power locking lever BL20-m			Type TB		Number 09069019924		Rev. B	Page 1/1