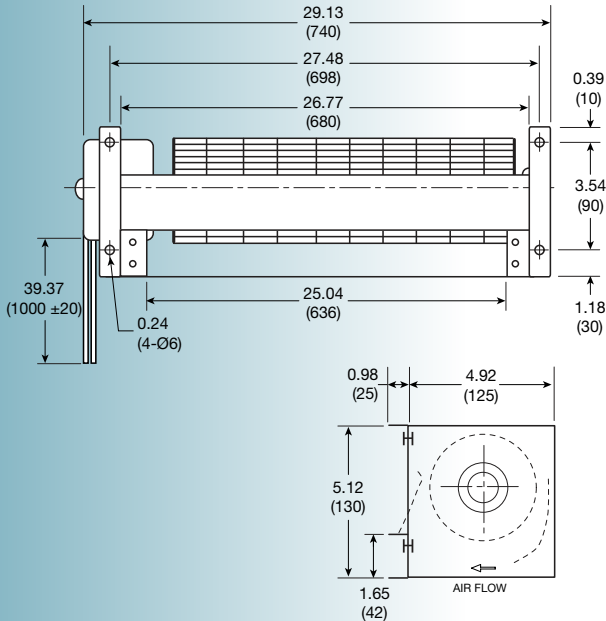
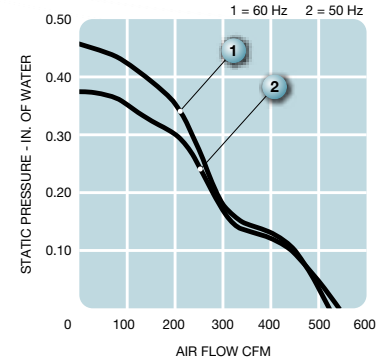


## UF9060 series



**Size:** (740 mm x 150 mm x 130 mm)  
**29.13 x 5.91 x 5.12 inches**

- Features:** cross flow
- Operating voltage (VAC):** 120 or 230
- Operating temp:** -40° to 70° C
- Construction:** steel frame with plastic impeller
- Bearing option:** ball bearing
- Motor:** permanent split capacitor
- Connection:** 22 AWG lead wires
- Protection:** thermal
- Insulation:** Class B



Model No.	Rated Voltage V	Freq. HZ	Input Power W	Rated Cur. A	Locked Cur. A	Speed RPM	Air Volume		Max. Static Pressure (H <sub>2</sub> O)		Sound Noise dbA	Weight kg
							M <sup>3</sup> /Min.	CFM	MM	INCH		
UF9060CBP12H-L	120	50	130	1.00	1.40	2150	15.5	550	9	0.35	55	5.3
	120	60	160	1.25	1.40	2100	15.0	530	11	0.43	54	5.3
UF9060CBP23H-L	230	50	130	0.55	0.75	2150	15.5	550	9	0.35	55	5.3
	230	60	160	0.70	0.75	2100	15.0	530	11	0.43	54	5.3