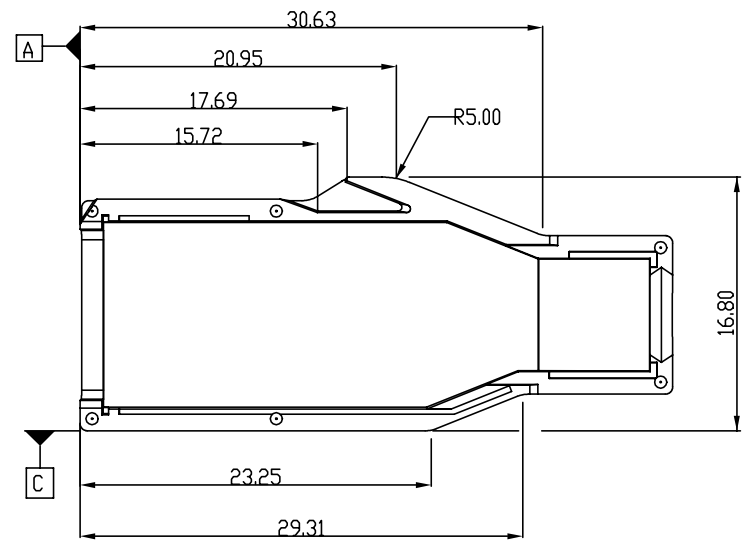
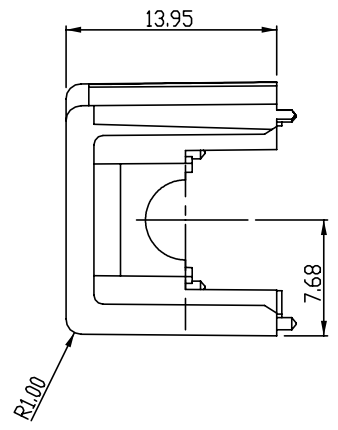
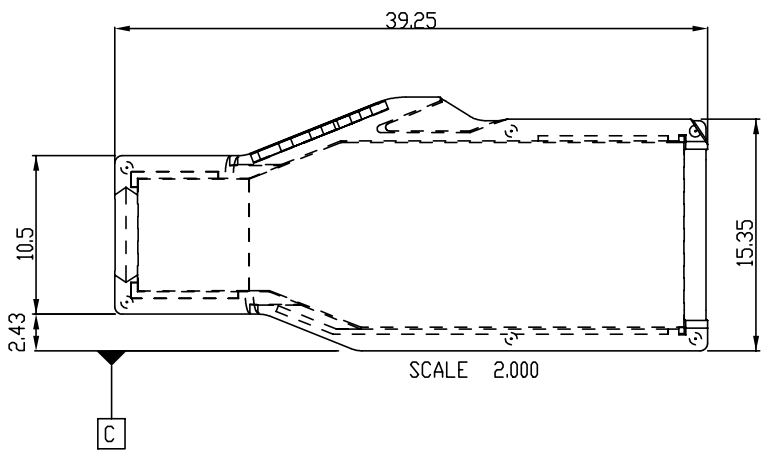
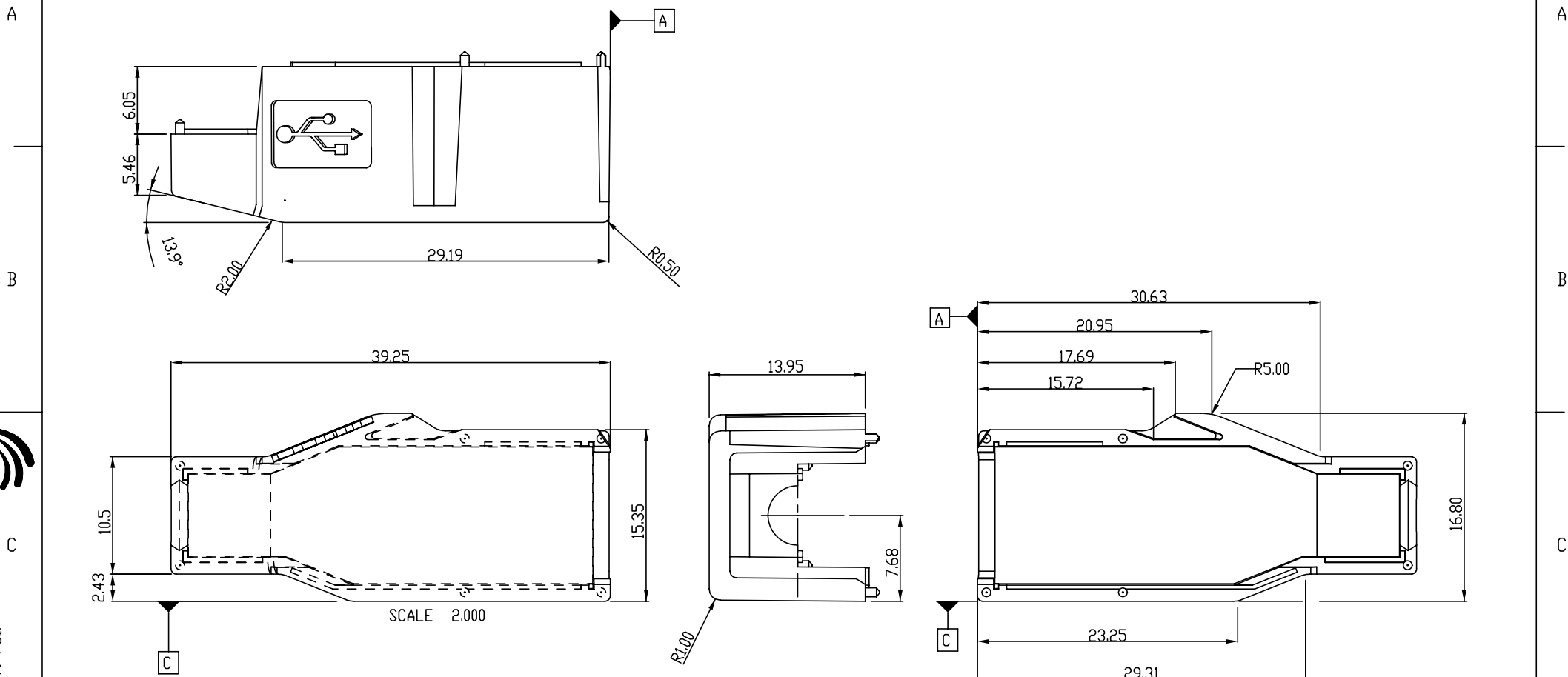


PRODUCT NUMBER
SEE CHART

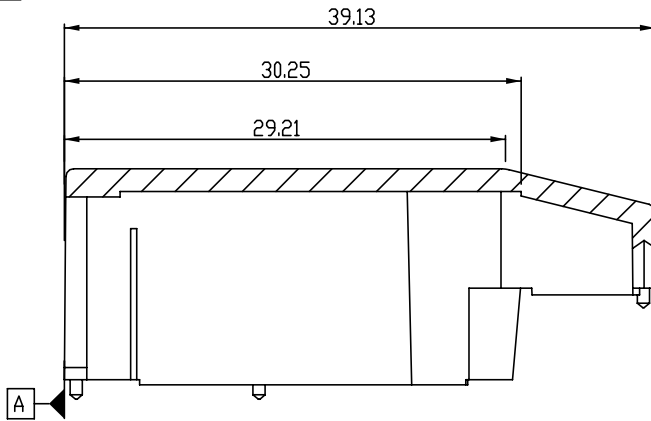


Copyright FCI.

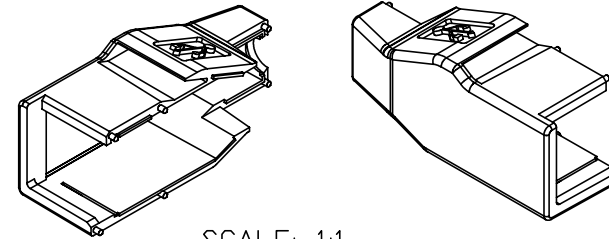
mat'l code				SEE NOTE		tolerances unless otherwise specified		CUSTOMER		FCJ www.fciconnect.com	
ltr	ecn no.	dr	date	linear	linear	linear	linear	linear	linear	linear	linear
A	V01732	RJR	08/02/2000		.X ± 0.3						
B	N04-0069	PH	10/20/2004		.XX ± 0.10						
C	N09-0123	R.B	04/23/2009		.XXX ± 0.05						
D	ECN-ELX-N-006070	AZH	09/20/2011	dr	0° ± 2°	R.RINEHART	8/2/00				
E	ECN-ELX-N-010639	AZH	03/13/2012	engr		B.Macmullin	8/2/00				
				chr		B.Macmullin	8/2/00				
				appd		B.Macmullin	8/2/00				
sheet		revision		E							
index		sheet		1-3							

REV F - 2006-04-17

PRODUCT NUMBER
74309-004S



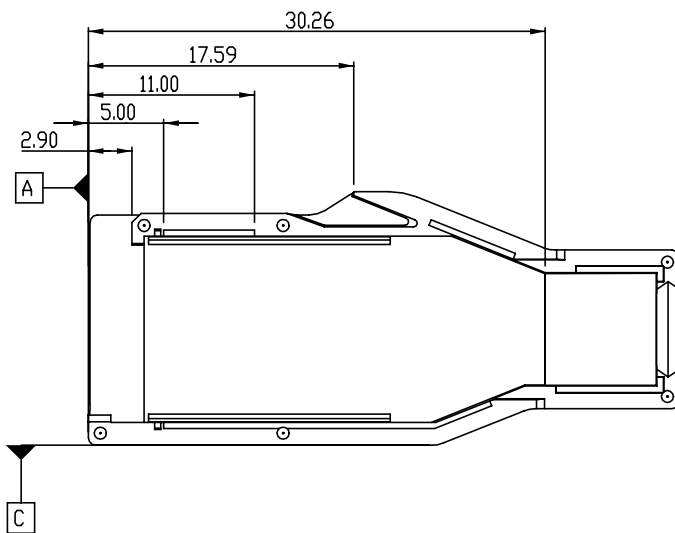
SECTION D-D



SCALE: 1:1

PRODUCT NO.	COLOR	CABLE OD
74309-004S	PEBBLE GRAY	∅5.10±0.25

UNSPECIFIED DIMENSIONS SAME AS 74309-002



SCALE 2.000



Copyright FCI.

mat'l code		SEE NOTE		tolerances unless otherwise specified		CUSTOMER		 www.fciconnect.com		
ltr	ecn no.	dr	date	linear	.X ± 0.3	COPY	projection	title		
E					.XX ± 0.10				RIGHT PLUG COVER	
					.XXX ± 0.05				USB+ POWER	
				angles	0° ± 2°	 MM 2:1		product family	code	
				dr	R.RINEHART 8/2/00			USB		
				engr	B.Macmullin 8/2/00			size	dwg no	
				chr	B.Macmullin 8/2/00			A4	74309	
				appd	B.Macmullin 8/2/00				sheet	
sheet	revision							2 of 3		
index	sheet									

1

2

3

4

PRODUCT NUMBER

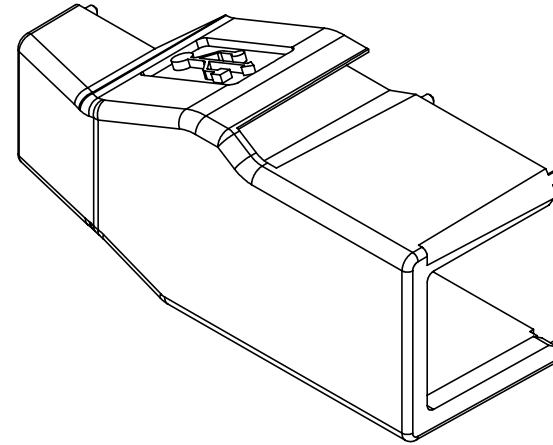
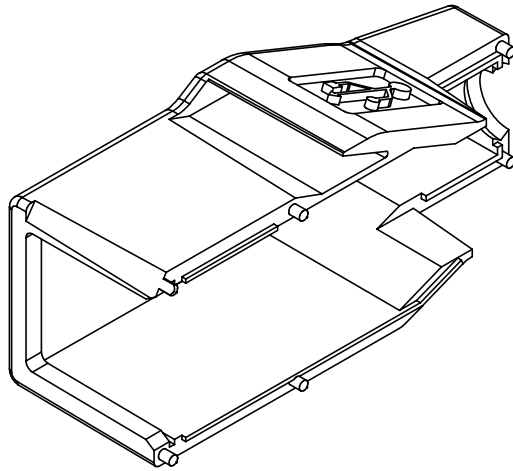
SEE CHART

A

B

C


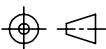
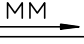
D



NOTES:

- 1. MATERIAL: PC-ABS, COLOR: REFER TO TABLE.
- 2. DIMENSIONS AND TOLERANCES ARE IN ACCORDANCE WITH ASME Y14.5M, 1994.
- 3. UNSPECIFIED RADII TO BE 0.20mm.

PRODUCT NO.	COLOR	CABLE OD
74309-001S	PEBBLE GRAY	Ø5.80±0.25
74309-002S	PEBBLE GRAY	Ø5.10±0.25
74309-003S	PEBBLE GRAY	Ø6.60±0.25
74309-101S	BLACK	Ø5.80±0.25
74309-102S	BLACK	Ø5.10±0.25
74309-103S	BLACK	Ø6.60±0.25

mat'l code		SEE NOTE		tolerances unless otherwise specified		CUSTOMER		 www.fcjconnect.com						
ltr	ecn no.	dr	date	linear	.X ± 0.3	COPY		projection		title	RIGHT PLUG COVER			
E					.XX ± 0.10						USB+ POWER			
					.XXX ± 0.05									
				angles	0° ± 2°	 MM		scale	A4	product family	USB	code		
				dr	R.RINEHART	8/2/00	3:1			size	74309	dwg no		sheet
				engr	B.Macmullin	8/2/00						3 of 3		
				chr	B.Macmullin	8/2/00								
				appd	B.Macmullin	8/2/00								
sheet	revision													
index	sheet													



Copyright FCI.

1

2

3

4