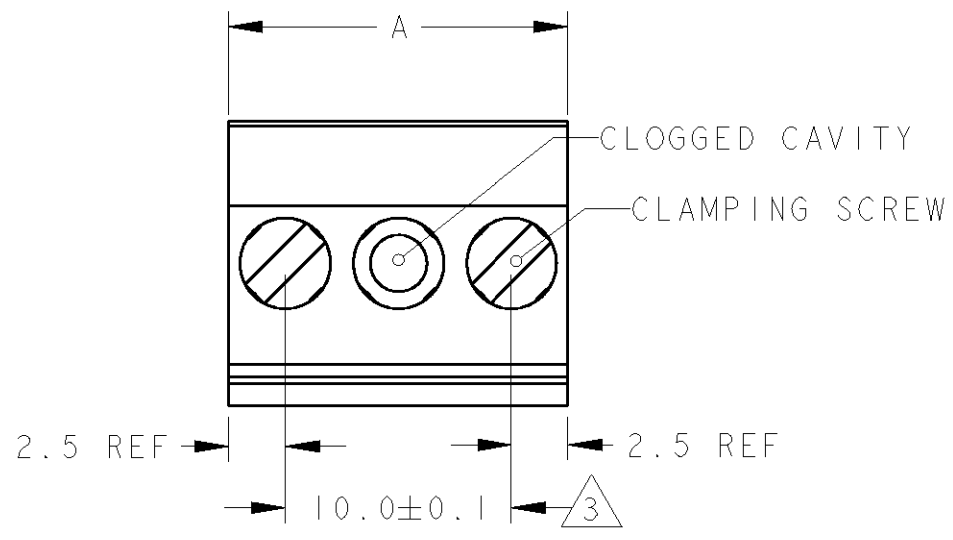
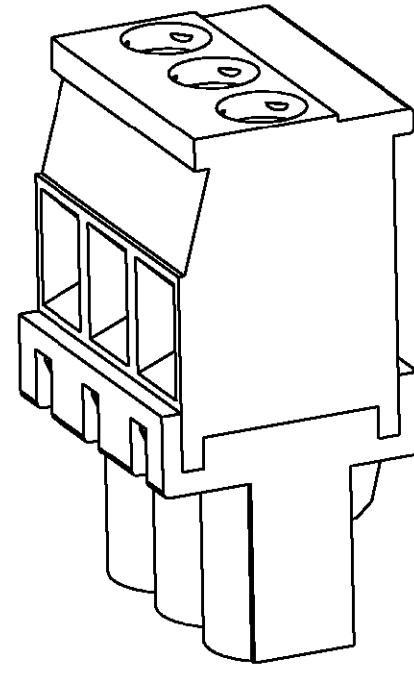


THIS DRAWING IS UNPUBLISHED. RELEASED FOR PUBLICATION 20  
 © COPYRIGHT 20 BY TYCO ELECTRONICS CORPORATION. ALL RIGHTS RESERVED.

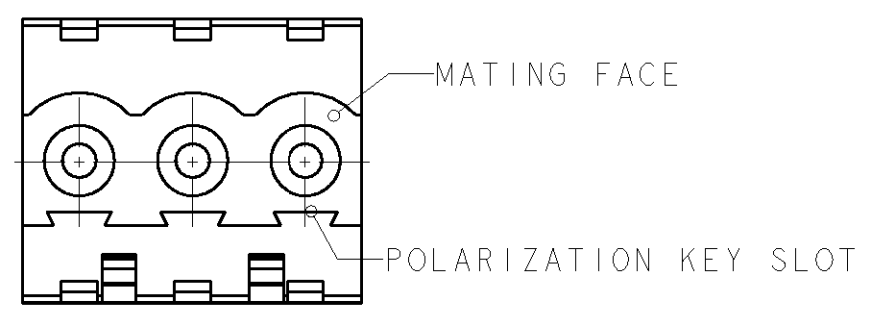
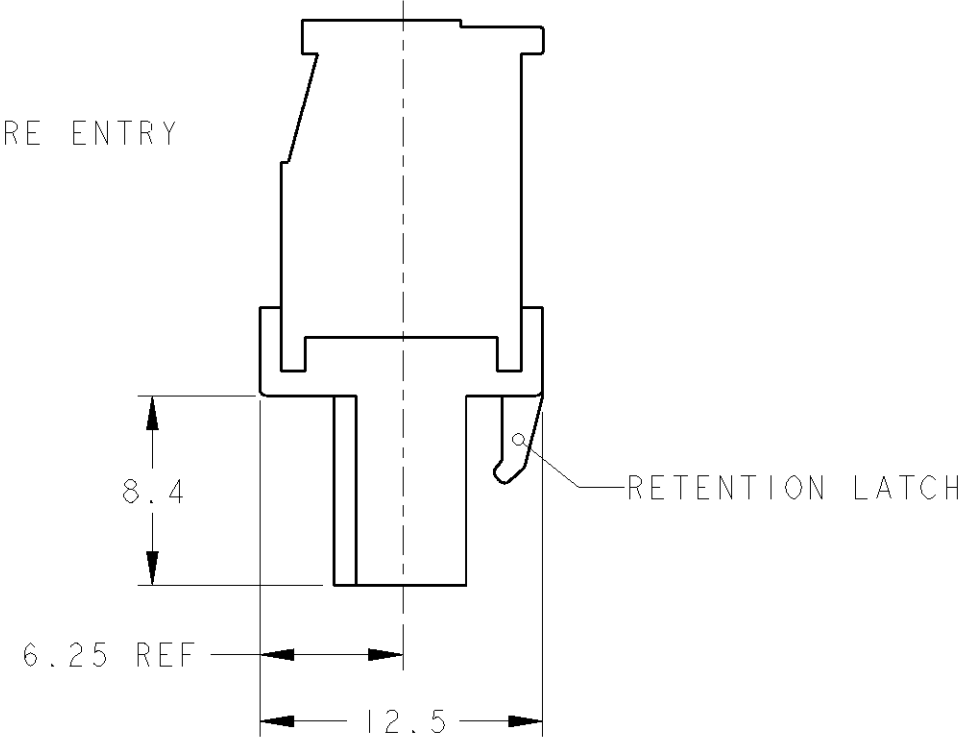
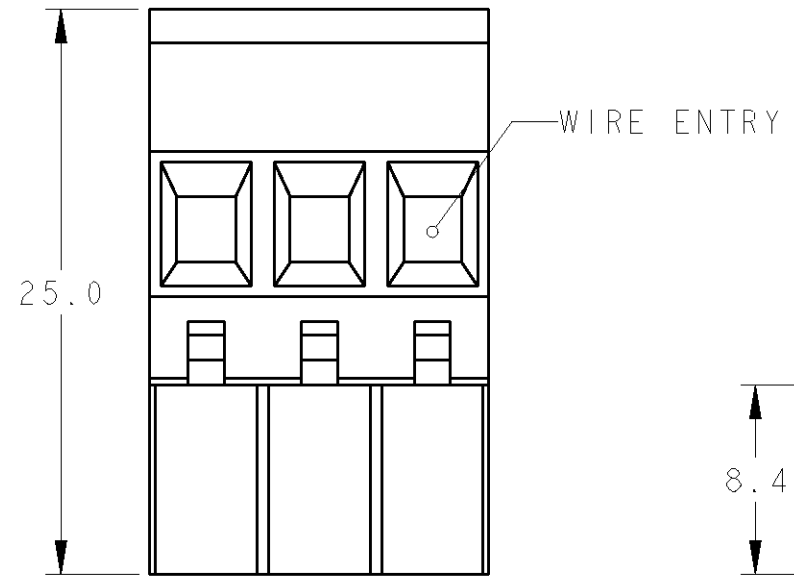
LOC	DIST	REVISIONS			
P	LTR	DESCRIPTION	DATE	DWN	APVD
FT	0	B	REVISED PER 0G3B-0119-01	03JAN2002	EZ DB



- 1 MATERIALS AND FINISH  
 HOUSING: PA 6-6, UL 94-V0, COLOR GREEN.  
 CLAMP: BRASS, NICKEL PLATED.  
 DOUBLE SIDE CONTACT SPRING : PHOSPHOR BRONZE, TIN PLATED.  
 CLAMPING SCREW: M3, BRASS, NICKEL PLATED.
- 2 WIRE SIZE RANGE:  
 12 - 30 AWG
- 3 NOT CUMULATIVE TOLERANCE.



284044-2 AS SHOWN



DIM. A	N° OF POS.	PART NUMBER
125	13	1-284044-3
115	12	1-284044-2
105	11	1-284044-1
95	10	1-284044-0
85	9	284044-9
75	8	284044-8
65	7	284044-7
55	6	284044-6
45	5	284044-5
35	4	284044-4
25	3	284044-3
15	2	284044-2

THIS DRAWING IS A CONTROLLED DOCUMENT FOR TYCO ELECTRONICS CORPORATION. IT IS SUBJECT TO CHANGE AND THE CONTROLLING ENGINEERING ORGANIZATION SHOULD BE CONTACTED FOR THE LATEST REVISION.

DIMENSIONS: mm	TOLERANCES UNLESS OTHERWISE SPECIFIED: 0 PLC ±.3 1 PLC ±.3 2 PLC ±.25 3 PLC ±. 4 PLC ±. ANGLES ±2	DWN 03JAN2002 E. ZANOLINI CHK 03JAN2002 E. ZANOLINI APVD 03JAN2002 D. BIEVENOUR	<b>BUCHANAN</b> Tyco Electronics Harrisburg, PA 17105-3608
MATERIAL	FINISH	PRODUCT SPEC APPLICATION SPEC WEIGHT	NAME TERMINAL BLOCK VERTICAL PLUG STACKING LEFT HAND 10.0mm PITCH
		CUSTOMER DRAWING	SIZE A3 CAGE CODE 00779 DRAWING NO C-284044 RESTRICTED TO
		SCALE 3:1	SHEET 1 OF 1 REV B