

1. 製品名称 / PRODUCT NAME : 0.5 FPC CONN. ZIF ST EMBOSSED TAPE PACKAGING

製品番号 / PART NUMBER : 7 8 1 2 7 - \* \* 1 0

7 8 1 2 7 - \* \* 2 0

7 8 1 2 7 - \* \* 3 3

(\* \* は極数を示す)

(\* \* IS CIRCUITS SIZE)

2. 標準梱包数 / STANDARD PACKAGING QUANTITY

極数 CKT. SIZE	キャリア テープ幅 (mm) CARRIER TAPE WIDTH (mm)	1 リール中の製品数 QTY. PER REEL	外装カートン SHIPPING CARTON	
			梱包リール数 NUMBER OF REELS	製品数 QUANTITY
6	16	2,000	8	16,000
7				
8				
9				
10				
11				
12				
13				
14				

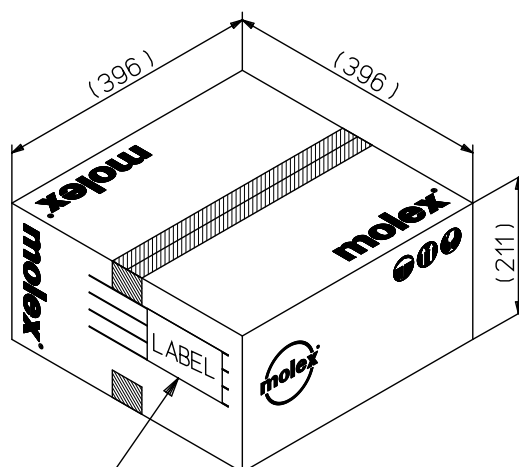
REV.	A				
SHEET	1~3				
REVISE ON PC ONLY		TITLE:			
<b>A</b>	RELEASED 105360 2016/05/31 T.NAKAGAWA		7 8 1 2 7 梱包仕様書 SALES PACKAGING SPEC. FOR 78127		
	THIS DOCUMENT CONTAINS INFORMATION THAT IS PROPRIETARY TO MOLEX ELECTRONIC TECHNOLOGIES, LLC AND SHOULD NOT BE USED WITHOUT WRITTEN PERMISSION				
REV.	DESCRIPTION				
DESIGN CONTROL J		STATUS	WRITTEN BY: T.NAKAGAWA01	CHECKED BY: T.HARUYAMA	APPROVED BY: Y.ITO
			DATE: 2016/05/31		
DOCUMENT NUMBER 781279200			DOC. TYPE PS	DOC. PART 201	CUSTOMER GENERAL
					SHEET 1 OF 3

極 数 CKT. SIZE	キャリア テープ幅 (mm) CARRIER TAPE WIDTH (mm)	1 リール中の製品数 QTY. PER REEL	外装カートン SHIPPING CARTON	
			梱包リール数 NUMBER OF REELS	製品数 QUANTITY
15	24	2,000	6	12,000
16				
17				
18				
19				
20				
21				
22				
23				
24				
25				
26				
27				
28				
29	32	2,000	4	8,000
30				
31				
32				
33				
34				
35				
36				

REVISE ON PC ONLY		TITLE:		
<b>A</b>	SEE SHEET 1 OF 3	7 8 1 2 7 梱包仕様書 SALES PACKAGING SPEC. FOR 78127		
		THIS DOCUMENT CONTAINS INFORMATION THAT IS PROPRIETARY TO MOLEX ELECTRONIC TECHNOLOGIES, LLC AND SHOULD NOT BE USED WITHOUT WRITTEN PERMISSION		
REV.	DESCRIPTION	DOC. TYPE	DOC. PART	CUSTOMER
		PS	201	GENERAL
DOCUMENT NUMBER 781279200				SHEET 2 OF 3

3. カートン外形参考寸法 / CARTON OUTER DIMENSIONS (REFERENCE PURPOSE ONLY)

単位 / UNIT: mm



カートンラベル  
CARTON LABEL

(製品型番, 数量, ロットNO. 表示)  
INDICATION OF PART No., QUANTITY, LOT No.

標準カートン  
STANDARD CARTON

<b>A</b>	REVISE ON PC ONLY	TITLE: <b>7 8 1 2 7 梱包仕様書</b> SALES PACKAGING SPEC. FOR 78127			
	SEE SHEET 1 OF 3				
REV.	DESCRIPTION	THIS DOCUMENT CONTAINS INFORMATION THAT IS PROPRIETARY TO MOLEX ELECTRONIC TECHNOLOGIES, LLC AND SHOULD NOT BE USED WITHOUT WRITTEN PERMISSION			
DOCUMENT NUMBER <b>781279200</b>		DOC. TYPE <b>PS</b>	DOC. PART <b>201</b>	CUSTOMER <b>GENERAL</b>	SHEET 3 OF 3