

MATERIAL

Glass-fibre reinforced polyamide based (PA) technopolymer, black colour, matte finish.

STANDARD EXECUTIONS

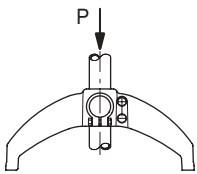
- **BAG2-180-A:** zinc-plated steel M10 screws, nuts and washers.
- **BAG2-180-SST:** AISI 304 stainless steel M10 screws, nuts and washers.

ASSEMBLY ON LEVELLING ELEMENTS

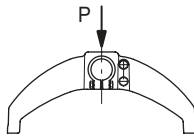
The bipod support bases are supplied with brass bosses, threaded pass-through hole for the assembly of the levelling element series LS.A (see page 1224), LV.A (see page 1238), LV.F (see page 1258).

FEATURES

The absence of cavities and the slightly round shapes offer modern and elegant aesthetics and guarantee the easy cleaning. Maximum tightening torque for screw assembly 35 Nm.

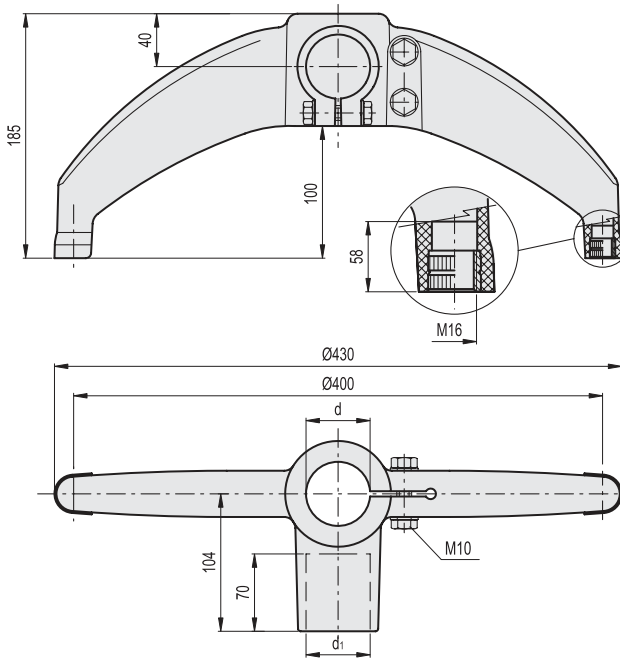


Retention force
P = 2000 N



Max. static load
P = 9800 N

Values obtained with tightening torque 35 Nm



Conversion Table 1 mm = 0.039 inch	
d	
mm	inch
42.4	1.67
48.3	1.90
60.3	2.37

BAG2-180-A

METRIC

BAG2-180-SST

METRIC

INOX STAINLESS STEEL

Code	Description	d Tube (mm)	d Tube (GAS)	d1 Tube (mm)	d1 Tube (GAS)	⚖	Code	Description
419630	BAG2-180-42-42-A	42.4	1"1/4	42.4	1"1/4	720	419631	BAG2-180-42-42-SST
419628	BAG2-180-48-42-A	48.3	1"1/2	42.4	1"1/4	710	419629	BAG2-180-48-42-SST
419626	BAG2-180-48-48-A	48.3	1"1/2	48.3	1"1/2	700	419627	BAG2-180-48-48-SST
419624	BAG2-180-60-42-A	60.3	2"	42.4	1"1/4	690	419625	BAG2-180-60-42-SST
419622	BAG2-180-60-48-A	60.3	2"	48.3	1"1/2	680	419623	BAG2-180-60-48-SST

- 1
- 2
- 3
- 4
- 5
- 6
- 7
- 8
- 9
- 10
- 11
- 12
- 13
- 14
- 15
- 16
- 17
- 18

Leveling elements and supports