

NOTES:

1. MATERIAL AND FINISH (PLATING THICKNESS IN MICRO-INCHES):

- BODY - BRASS, ALBALOY PLATING
- CONTACT PIN - BRASS, GOLD PLATING
- INSULATOR - PTFE, NATURAL

2. ELECTRICAL:

- A. IMPEDANCE: 50 OHM
- B. FREQUENCY RANGE: DC - 10 GHz
- C. VSWR: 1.15 MAX. @ DC - 3 GHz; 1.22 MAX. @ 3 - 4 GHz; 1.30 MAX @ 4 - 6 GHz
- D. CONTACT RESISTANCE: CENTER CONTACT 5 mΩ MAX.
OUTER CONTACT 5 mΩ MAX.
- E. INSERTION LOSS: 0.2 dB MAX. @ DC - 6 GHz
- F. INSULATION RESISTANCE: 5 GOHM MIN.
- G. DIELECTRIC WITHSTANDING VOLTAGE: 1000 VRMS. MIN.
- H. POWER HANDLING: 120 W @ 2.5 GHz @ 95°C

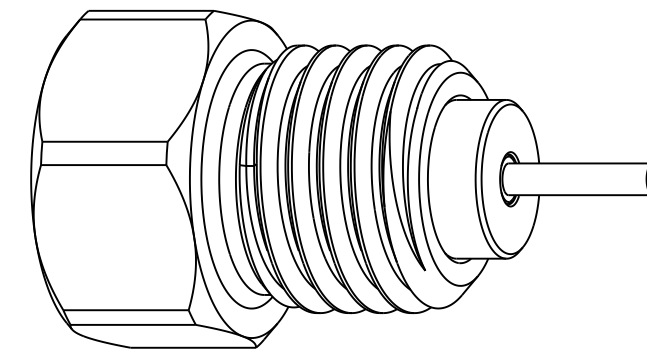
3. MECHANICAL:

- A. MATING CYCLES: 50 MIN.
- B. TEMPERATURE RANGE: -45°C TO +125°C

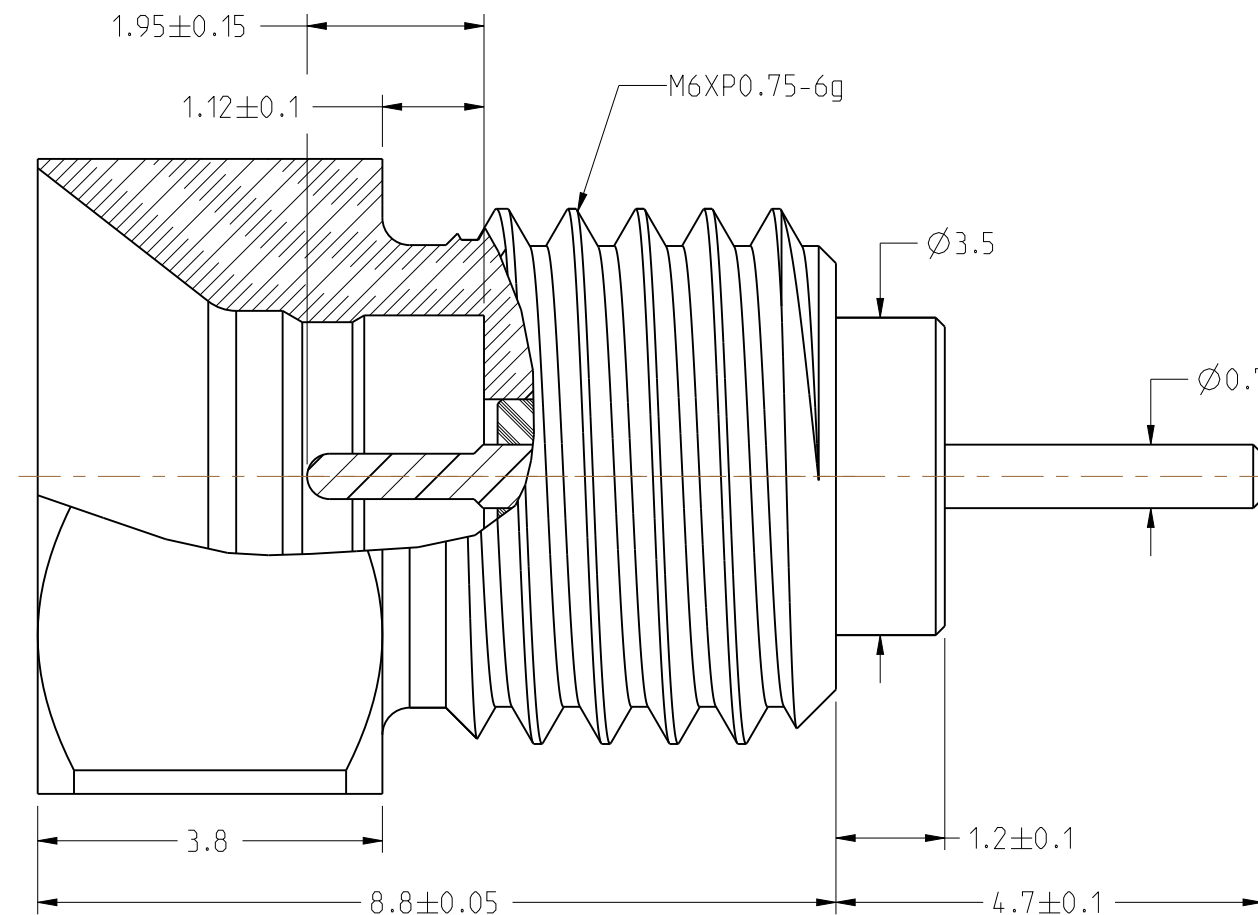
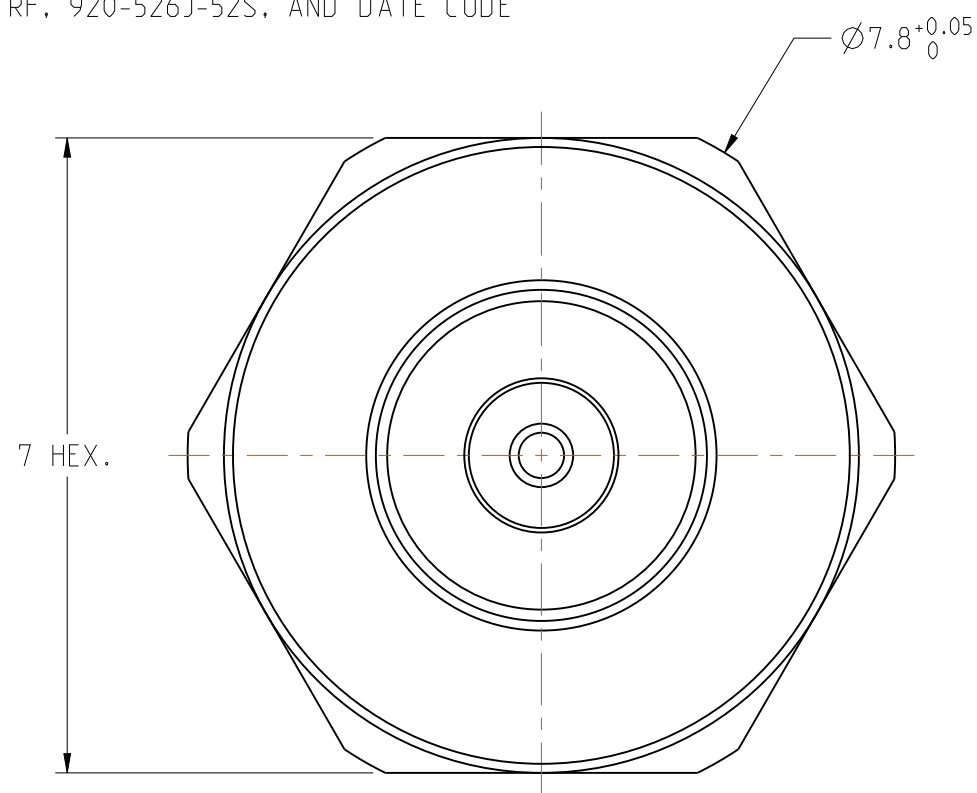
4. PACKAGING:

- A. QUANTITY: SINGLE PACK
- B. PACKAGING TO BE MARKED
"AMPHENOL RF, 920-526J-52S, AND DATE CODE"

REVISIONS				
REV	DESCRIPTION	DATE	ECN	APPR
A	RELEASE TO MFG.	16-Mar-21	15600	SH



SCALE 6.000



CUSTOMER OUTLINE DRAWING

ALL OTHER SHEETS ARE FOR INTERNAL USE ONLY

NOTICE: These drawings, specifications, or other data (1) are, and remain the property of Amphenol corp. (2) must be returned upon request; and (3) are confidential and not to be disclosed to any person other than those to whom they are given by Amphenol Corp. The furnishing of these drawings, specifications, or other data by Amphenol Corp., or to any other person to anyone for any purpose is not to be regarded by implication or otherwise in any manner licensing, granting rights to permitting such holder or any other person to manufacture, use or sell any product, process or design, patented or otherwise, that may in any way be related to or disclosed by said drawings, specifications, or other data.

UNLESS OTHERWISE SPECIFIED
DIMENSIONS ARE METRIC (INCHES) AND TOLERANCES ARE:
 <0.5mm = ±0.05mm [$<0.020 = \pm 0.002$]
 >0.5 - 6mm = ±0.1mm [$>0.020 - 0.236 = \pm 0.004$]
 >6.00 - 30mm = ±0.2mm [$>0.236 - 1.181 = \pm 0.008$]
 >30.00 - 120mm = ±0.3mm [$>1.181 - 4.725 = \pm 0.012$]

MATERIAL
SEE NOTES

TITLE
HD-EFI LIMITED
DETENT CANDLESTICK

Amphenol RF

SIZE B	DRAWING NO. 920-526J-52S	REV A
	ITEM NO. 920-526J-52S	
	PART NO. 920-526J-52S	

THIRD ANGLE PROJ.	REFERENCE	EAR# 10086
-------------------	-----------	------------

ENGINEER WIKI	DATE 2-Mar-21
---------------	---------------

SHEET NO. 2 OF 2	SCALE: 12.0:1.0
------------------	-----------------