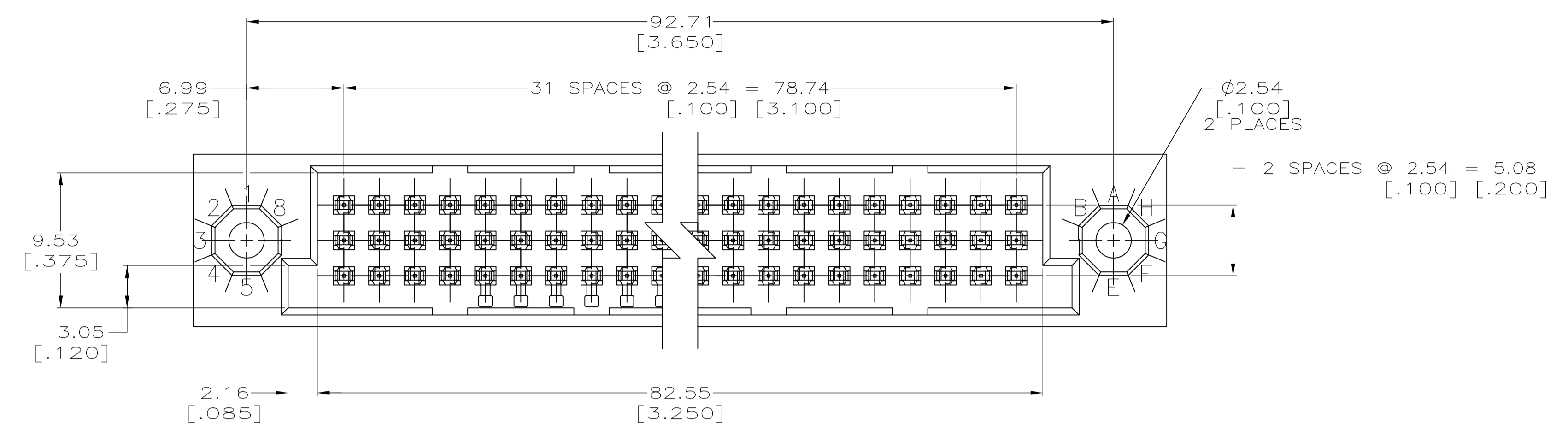
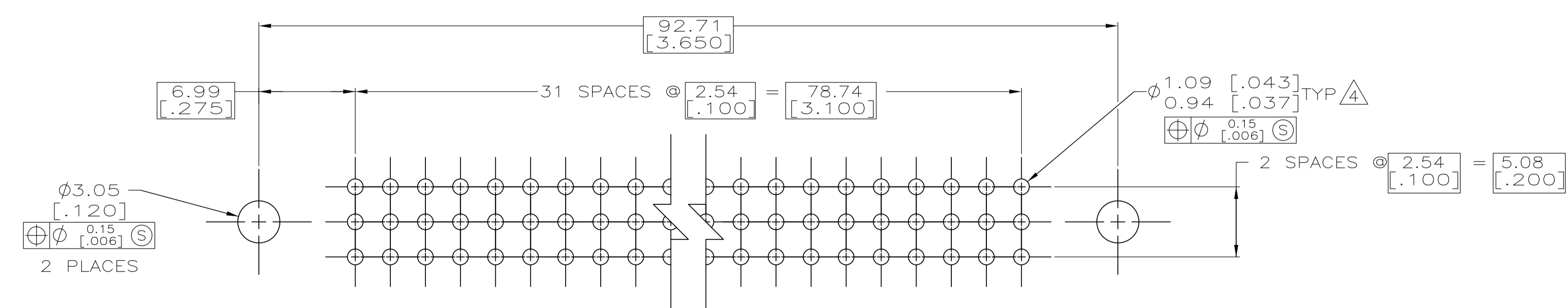
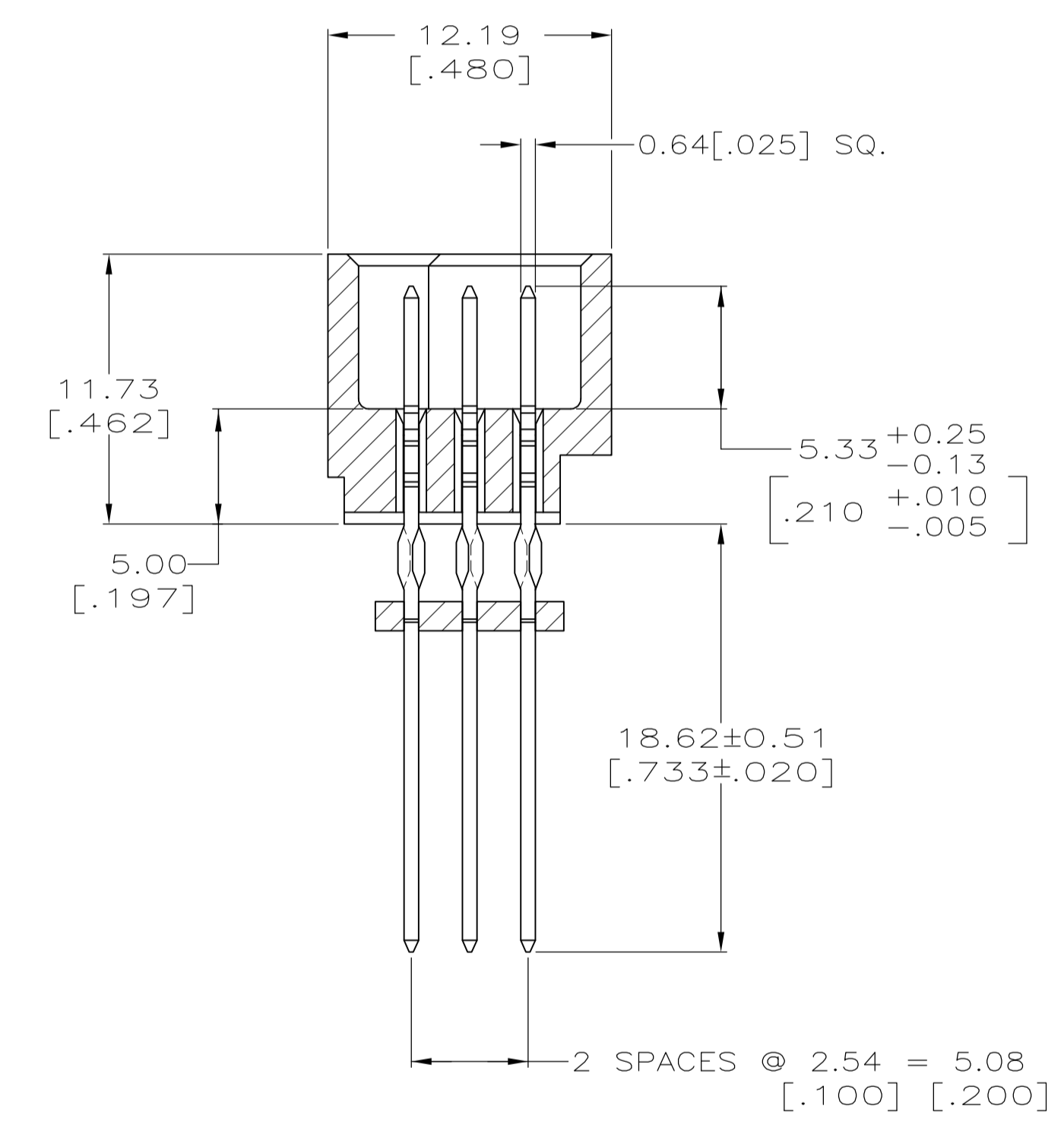
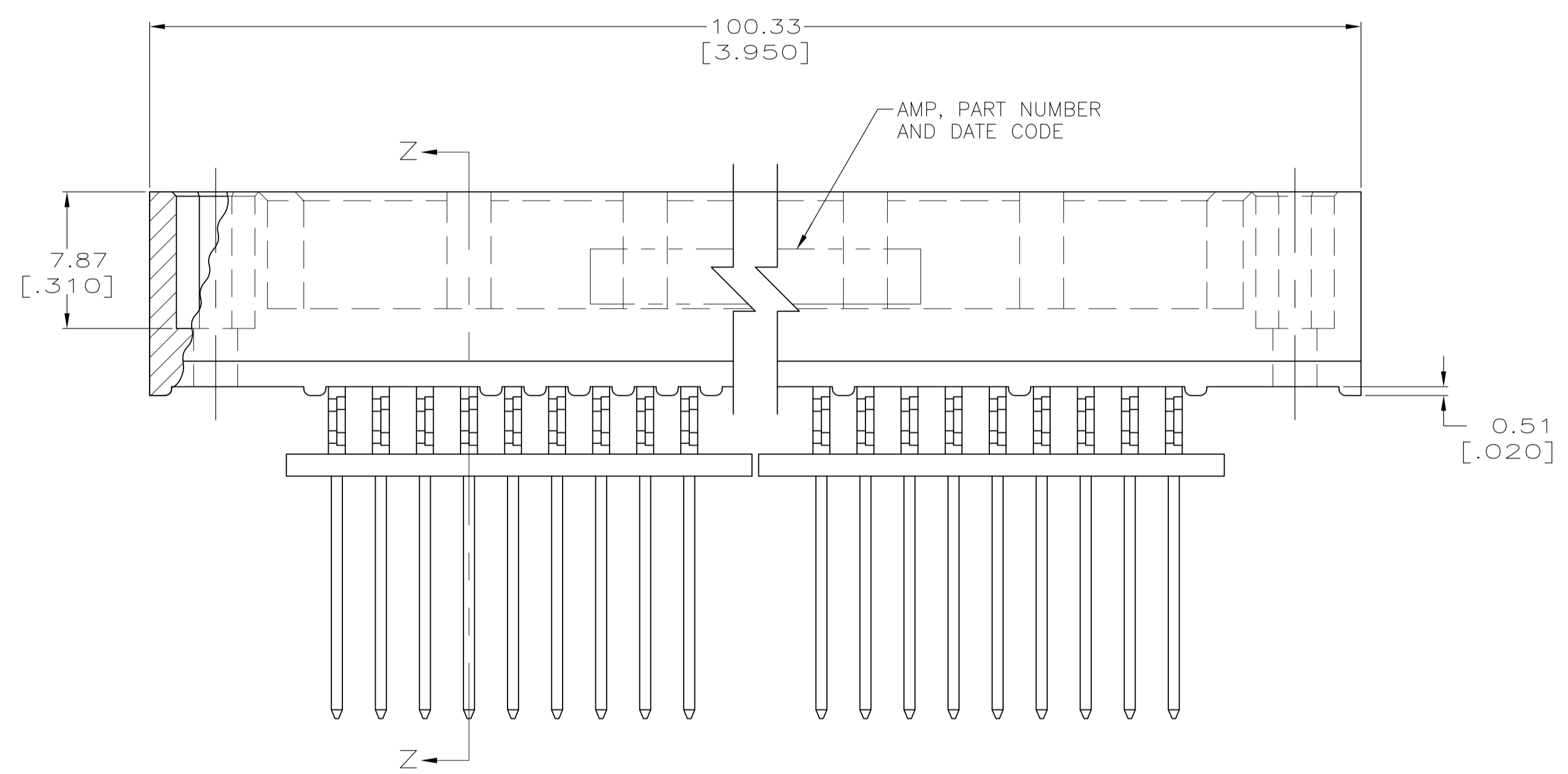


REVISIONS					
REV	DATE	DESCRIPTION	BY	CHKD	APPROV
B	13NOV15	REVISED PER ECO-15-015252	BJ		FY
B1	10MAR16	REVISED PER ECO-16-003656	B.J		S.Y



- △ HOUSING MATERIAL: THERMOPLASTIC.
- △ CONTACT MATERIAL: COPPER ALLOY.
- △ FINISH:
MATING AREA: MEETS THE PERFORMANCE REQUIREMENTS OF PRODUCT SPECIFICATION 108-9063; BASED ON TELCORDIA DR-1217-CORE APPLICATIONS IN UNCONTROLLED ENVIRONMENTS.
- △ ACTION PIN POSTS REQUIRE 2.36 [0.093] MIN THICK P.C. BOARD. RECOMMENDED P.C. BOARD HOLES ARE $\phi 1.151$ [0.0453] PLATED THRU WITH 0.025-0.076 [0.001-.003] COPPER, WITH 0.0076 [0.0003] MIN TIN-LEAD PLATING; FINISHED HOLE AFTER PLATING $\phi 0.94-1.09$ [0.037-0.43].



RECOMMENDED P. C. BOARD LAYOUT

598051-1
PART NUMBER

THIS DRAWING IS A CONTROLLED DOCUMENT.		DIN J. POLIGNONE D44PROB	TE Connectivity
DIMENSIONS: mm [INCHES]		CHK A. SHARPE D44PROB	
TOLERANCES UNLESS OTHERWISE SPECIFIED:		APVD A. SHARPE D44PROB	NAME
0. PLC ± -			ASSEMBLY, PIN, VERTICAL, HDI, 3 ROW,
1. PLC ± -			96 POSITION, 18.62[733] ACTION PIN POSTS
2. PLC ± -			WITH STABILIZERS
3. PLC ± 0.13 [0.005]			PRODUCT SPEC
4. PLC ± -			APPLICATION SPEC
ANGLES ± -			SIZE CAGE CODE DRAWING NO
			A1 00779 C=598051
MATERIAL	FINISH	WEIGHT	RESTRICTED TO
CUSTOMER DRAWING		SCALE 4:1	SHEET 1 OF 1 REV B1