

Directive 2002/95/EC  
"RoHS"  
Compliant

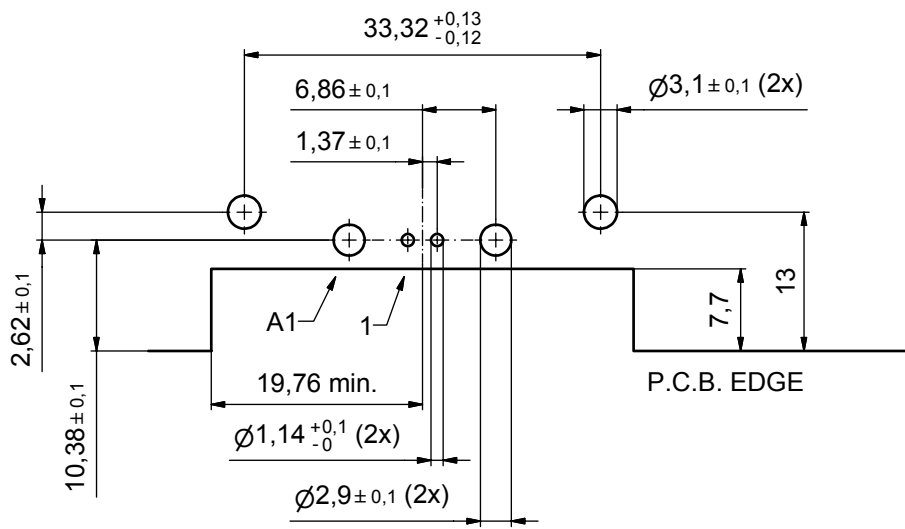
**NOTES:**

1. METAL SHELLS: STEEL; min. 315µm TIN over 40-80µm NICKEL
2. INSULATORS: PBT GF UL 94 V-0; GREEN
3. HIGH POWER CONTACTS:  
COPPER ALLOY; min. 24A/pin @30°C TEMPERATURE RISE  
PLATING MATING AREA: 30µm HARD GOLD over min. 50µm NICKEL  
PLATING TERMINATION SIDE: 160-240µm TIN over 80µm NICKEL  
MALE CONTACT ON POS. A1 and A2
4. SIGNAL CONTACTS: COPPER ALLOY; 7,5A nominal  
PLATING MATING AREA: 30µm HARD GOLD over min. 50µm NICKEL  
MALE CONTACTS ON POS. 1 and 2, NO CONTACTS ON POS. 3, 4, 5
5. METAL BRACKET:  
ZINC DIE CAST; 300µm COPPER/40-120µm NICKEL/120-200µm TIN
6. THREADED INSERT: COPPER ALLOY; min. 200µm TIN over 80µm NICKEL
7. HEX BOLT: STEEL; NICKEL PLATED
8. WASHER: STEEL; NICKEL PLATED
9. PCB-SNAP: COPPER ALLOY; min. 200µm TIN over 80µm NICKEL  
PCB-HOLE:  $\varnothing 3,1 \pm 0,1$ mm; PCB-THICKNESS: 1,6mm
10. MAXIMUM TORQUE VALUE FOR THREAD: 6" LBS
11. CONNECTOR IS PART MARKED: [13-000051 CONEC ABC]

APPROVAL # FREIGABE # DEBLOCAGE # AUTORIZACION # APPROVAL	
CUSTOMER APPROVAL DATE:	
NAME:	TITLE:
COMPANY NAME:	
APPROVAL # FREIGABE # DEBLOCAGE # AUTORIZACION # APPROVAL	

finish: see notes				tolerance ISO 2768-m		dim. in mm		scale: 2:1	
DO NOT ALTER CAD DRAWING BY HAND				date		name		material: see notes	
THIS DRAWING MAY NOT BE COPIED OR REPRODUCED IN ANY WAY, AND MAY NOT BE PASSED ON TO A THIRD PARTY WITHOUT WRITTEN PERMISSION. OWNERSHIP AND COPYRIGHT OF CONEC GmbH				drawn 12.06.07		Schmidt		title: MicroTCA Single Port 90°	
rev. description date name				appd. 12.06.07		Koch		48V / 60V Power Module Input Connector Male with threaded insert, metal bracket, snap, hex bolt	
				norm				dwg no: Inventor 10	
				d-old				DIN-A3	
				a Origin				sh: 1	
				CONEC®				part no: 13K1A2057	
								part no: 13-000051	

CONEC®		part no: 13-000051	
--------	--	--------------------	--



APPROVAL # FREIGABE # DEBLOCAGE # AUTORIZACION # APPROVAL	
CUSTOMER APPROVAL DATE:	
NAME:	TITLE:
COMPANY NAME:	
APPROVAL # FREIGABE # DEBLOCAGE # AUTORIZACION # APPROVAL	

THIS DRAWING MAY NOT BE COPIED OR REPRODUCED IN ANY WAY, AND MAY NOT BE PASSED ON TO A THIRD PARTY WITHOUT WRITTEN PERMISSION. OWNERSHIP AND COPYRIGHT OF CONEC GmbH			
DO NOT ALTER CAD DRAWING BY HAND			
rev.	description	date	name
a	Origin		

finish:	see sheet 1
tolerance	ISO 2768-m
dim. in mm	
date	name
drawn	12.06.07 Schmidt
appd.	12.06.07 Koch
norm	
d-old	
<b>CONEC</b> <sup>®</sup>	

scale:	2:1	
material:	see sheet 1	
title:	P.C.B. HOLE DRILLINGS MicroTCA Male Single Port 90° 48V / 60V Power Module Input Connector	
dwg no:	Inventor 10	DIN-A3
	13K1A2057	sh: 2
part no:	see sheet 1	